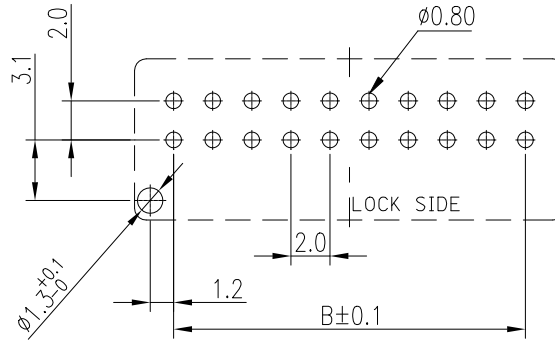
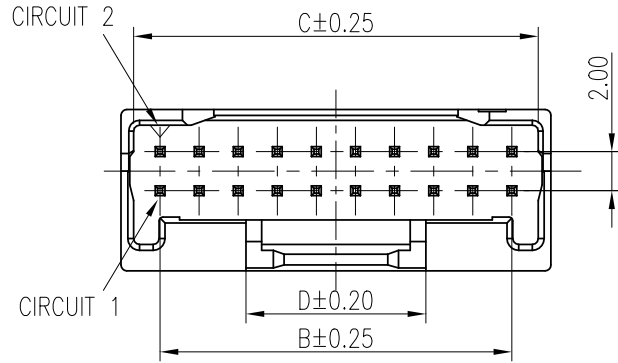


RoHS

HF

CUST INFORMATION.

PART NO.	DRAWING NO.	REV.
----------	-------------	------



RECOMMENDED P.C.BOARD
HOLE DIMENSION (T=1.6)
TOLERANCE: ±0.05

NOTE:

- MATERIAL:
 - 1.1. INSULATOR:LCP UL 94V-0
 - 1.2. CONTACT=SQ 0.50mm BRASS
- FINISH: TIN OR GOLD PLATING
- RoHS & HF COMPLIANCE
- BILL OF PART NO:

2021WV-XP-XX-XX-XX-XX-HF

No OF CIRCUITS: _____
10~40

FINISH: _____
A=MATTE TIN PLATING
B=BRIGHT TIN PLATING
C=GOLD FLASH PLATING

BLANK=CKM LOGO
NS =NO LOGO

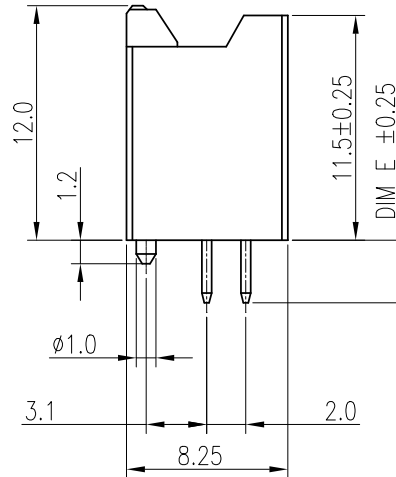
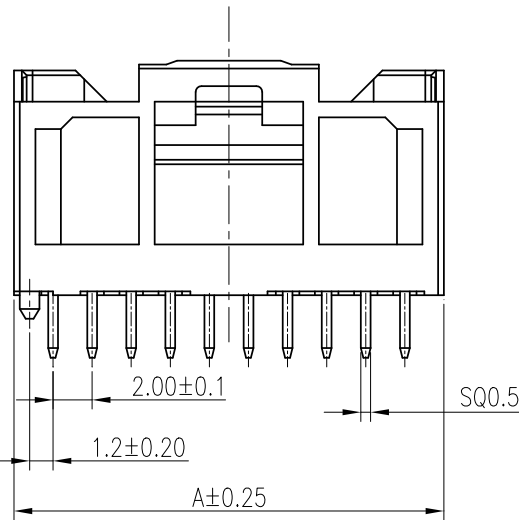
PACKAGE:
BLANK=TRAY (PAGE 2)
RP=T&R W/O CAP(PAGE 3)
DP=Tube (PAGE 4)

PIN TAIL(DIM E)
BLANK: 3.20mm
2.2 : 2.20mm
2.6 : 2.60mm

COLOR: BLANK(NATURAL)
OR A=BLACK

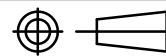
5. DIMENSIONAL

POS	A	B	C	D
40	42	38	40.7	9.2
38	40	36	38.7	9.2
36	38	34	36.7	9.2
34	36	32	34.7	9.2
32	34	30	32.7	9.2
30	32	28	30.7	9.2
28	30	26	28.7	9.2
26	28	24	26.7	9.2
24	26	22	24.7	9.2
22	24	20	22.7	9.2
20	22	18	20.7	9.2
18	20	16	18.7	9.2
16	18	14	16.7	9.2
14	16	12	14.7	9.2
12	14	10	12.7	9.2
10	12	8	10.7	7.3



TOLERANCE

X.	±0.50	X.XXX	±0.15
X.X	±0.35		
X.XX	±0.25	Angular	±5°



UNIT:
mm

DWG TYPE.
Customer Drawing

PART NO.
2021WV-XP-XX-XX-XX-XX-HF

DRAWING NO.
C-2021WV-XP-XX-XX-XX-XX-HF

APPROVED BY
Angus Chen
2025/09/02

CHECKED BY
Sun Lee
2025/09/02

DRAWN BY
YiZhao.Lin
2025/09/02

PAGE
1 OF 4
SCALE
4 : 1

REV.
B

朝貴電子股份有限公司
CKM ELECTRONICS CO., LTD.

TITLE: IGRID 2.0MM W/B DUAL DIP
PLUG ASSY ST(WITH BOSS)

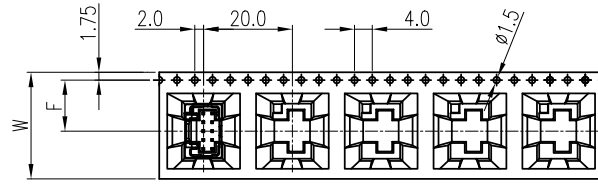
B	EC-25090323	ADD PACKAGE&GOLD FLASH PLATING	YiZhao.Lin	2025/09/02
A4		ADD DIM 2.6mm	Shawn	2024/04/29
A3		ADD T&R PACKING	Shawn	2024/04/11
REV.	ECN NO	REVISION RECORD	DRAW	DATE

RoHS

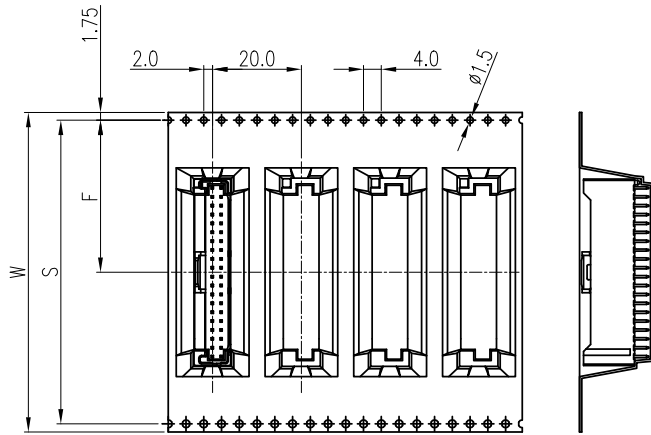
HF

CUST INFORMATION.

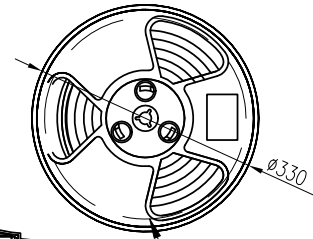
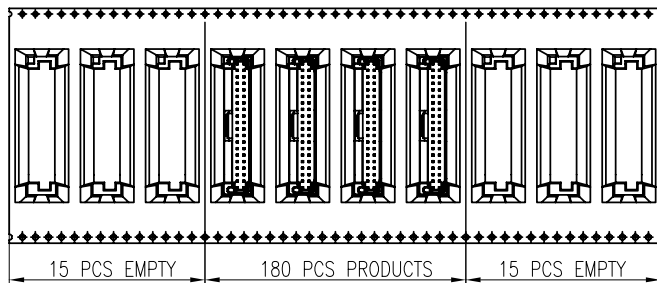
PART NO.	DRAWING NO.	REV.
----------	-------------	------



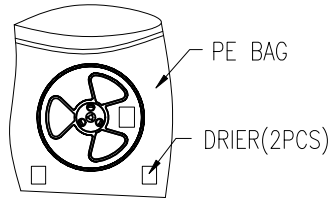
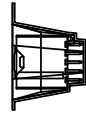
FOR 10 POS



FOR 12~40 POS

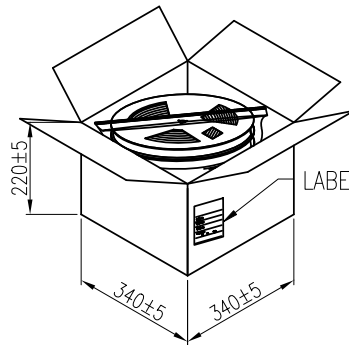


PROTECT TAPE



PE BAG

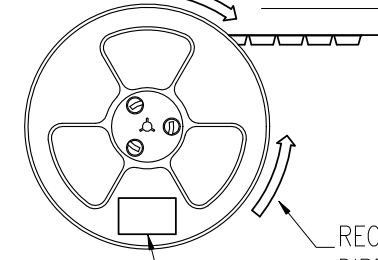
DRIER(2PCS)



LABEL

DISCHARGE DIRECTION

PULL OUT DIRECTION



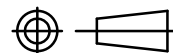
RECEIVING DIRECTION

PCS/REEL

POS	W	S	F	PCS/REEL	REEL/CARTON	PCS/CARTON
10	24.0	28.4	11.5	180	6	1080
12	32.0		14.2		5	900
14	44.0	40.4	20.2		4	720
16						
18						
20						
22	56.0	52.4	26.2		3	540
24						
26						
28						
30						
32						
34	72.0	68.4	34.2	2	360	
36						
38						
40						

TOLERANCE

X.	±0.50	X.XXX	±0.15
X.X	±0.35		
X.XX	±0.25	Angular	±5°



UNIT: mm

DWG TYPE. Customer Drawing

PART NO.

2021WV-XP-XX-XX-XX-XX-HF

DRAWING NO.

C-2021WV-XP-XX-XX-XX-XX-HF

APPROVED BY

Angus Chen

2025/09/02

CHECKED BY

Sun Lee

2025/09/02

DRAWN BY

YiZhao.Lin

2025/09/02

PAGE

3 OF 4

SCALE 4 : 1

REV.

B



朝貴電子股份有限公司
CKM ELECTRONICS CO., LTD.

TITLE. IGRID 2.0MM W/B DUAL DIP
PLUG ASSY ST(WITH BOSS)

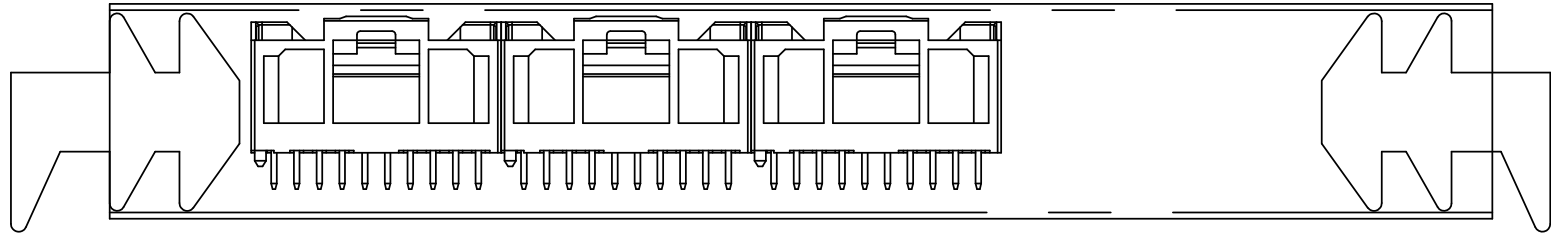
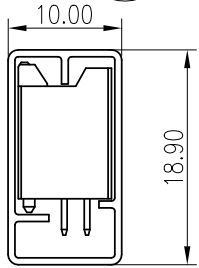
B	EC-25090323	ADD PACKAGE&GOLD FLASH PLATING	YiZhao.Lin	2025/09/02
A4		ADD DIM 2.6mm	Shawn	2024/04/29
A3		ADD T&R PACKING	Shawn	2024/04/11
REV.	ECN NO	REVISION RECORD	DRAW	DATE

RoHS

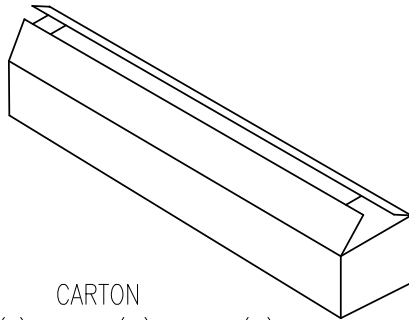
HF

CUST INFORMATION.

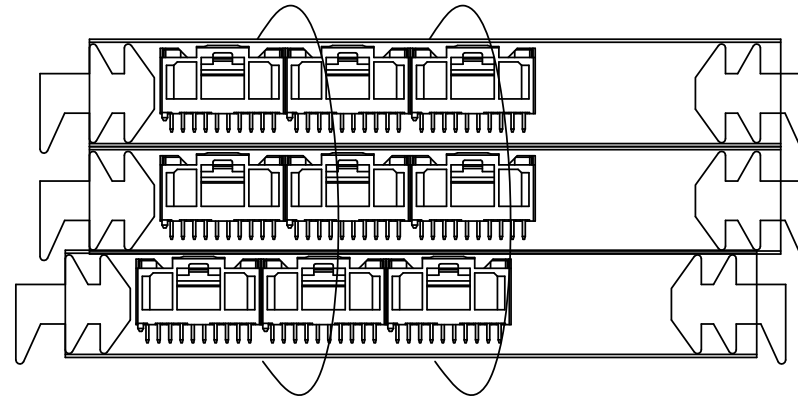
PART NO.	DRAWING NO.	REV.
----------	-------------	------



TUBE
500MM(L)*10.00MM(W)*18.90MM(H)
A/TUBE


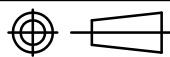


CARTON
520MM(L)*110MM(W)*100MM(H)



POS	PCS/TUBE	TUBE/CARTON	QUANTITY(PCS)
10	38	45	1710
12	32		1440
14	28		1260
16	25		1125
18	23		1035
20	20		900
22	19		855
24	17		765
26	16		720
28	15		675
30	14		630
32	13		585
34	12		540
36	12		540
38	11		495
40	10		450

B	EC-25090323	ADD PACKAGE&GOLD FLASH PLATING	YiZhao.Lin	2025/09/02
A4		ADD DIM 2.6mm	Shawn	2024/04/29
A3		ADD T&R PACKING	Shawn	2024/04/11
REV.	ECN NO	REVISION RECORD	DRAW	DATE

TOLERANCE		PART NO.		 朝貴電子股份有限公司 CKM ELECTRONICS CO., LTD.	
X. ±0.50	X.XXX ±0.15	2021WV-XP-XX-XX-XX-XX-HF			
X.X ±0.35		DRAWING NO.		TITLE: IGRID 2.0MM W/B DUAL DIP PLUG ASSY ST(WITH BOSS)	
X.XX ±0.25	Angular ±5°	C-2021WV-XP-XX-XX-XX-XX-HF			
 UNIT: mm		APPROVED BY	CHECKED BY	DRAWN BY	PAGE
DWG TYPE.		Angus Chen	Sun Lee	YiZhao.Lin	4 OF 4
Customer Drawing		2025/09/02	2025/09/02	2025/09/02	SCALE
					4 : 1
					REV.
					B