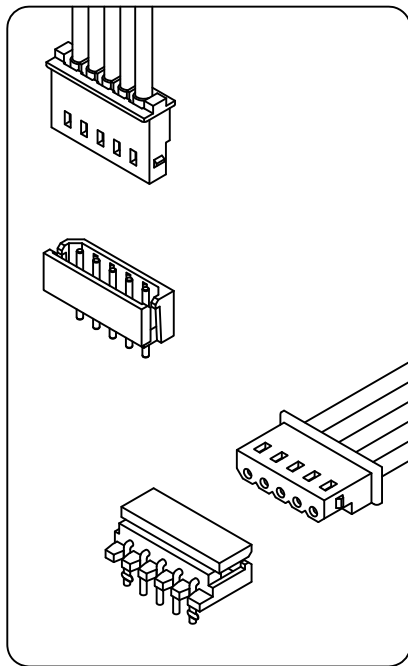


2503 Series

2.50mm[.098] pitch Wire to Board Connector



Specifications:

Circuit	2~18 Poles
Pitch between poles	2.50mm
Rated Voltage	250V AC
Rated Current	3A (AWG #22)
Withstand Voltage	1000V AC/minute
Contact Resistance	10mΩ Max.
Insulation Resistance	1000MΩ Min.
Temperature Range	-25°~+85°C
Applicable Wire Range	AWG #22~#28

UL: Recognized No. E186634

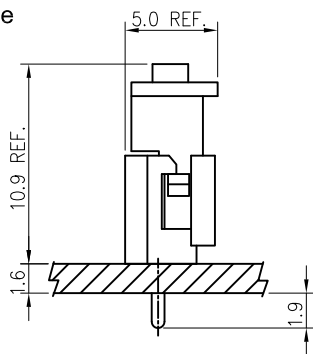
CSA: Certified No. LR110611

RoHS-Specification

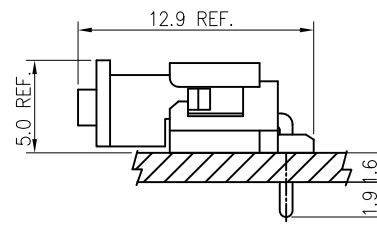
Halogen-free products

Assembly Layout

Vertical Type



Right Angle Type



Ordering Code

① ② ③ ④ ⑤
2503 H -XP -X -HF

- ① Series No.
- ② Housing
- ③ No. of circuits: 2~18
- ④ Color Code: Blank(Natural) or X(other)
- ⑤ HF: Halogen Free (or not)

① ② ③④
2503 T -XX -XX

- ① Series No.
- ② Terminal
- ③ Crimp Type: 0=Standart Type
- ④ Material: Copper alloy

① ②③ ④ ⑤⑥ ⑦
2503 WX -XP -XX -HF

- ① Series No.
- ② Wafer
- ③ Entry & Solder Type: WV=Vertical, DIP Type
WR=Right angle, DIP Type
- ④ No. of circuits: 2~16
- ⑤ Plating code: A=Matte Tin
B=Bright Tin
C=Gold
- ⑥ Color Code: Blank(Natural) or A(Black)
- ⑦ HF: Halogen Free (or not)

Note: * (eg. A, B, X...) designates Plated thickness identification.
For availability, delivery, color and MOQ, contact CKM.

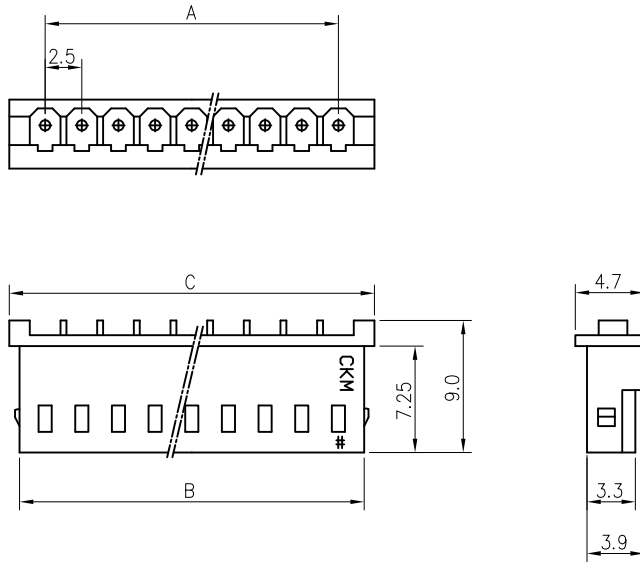
2503 Series

2.50mm[.098] pitch Crimp Terminal Socket



Features:

- * Single Row Terminal Socket
- * Material : Nylon 66 UL 94V-0
- * Suitable for CKM 2504 series terminal
- * CKM P/N : 2503H-XP-X-HF



Dimensional & Ordering Information:

POS	Dimensions		
	A	B	C
2	2.5	5.8	7.4
3	5.0	8.3	9.9
4	7.5	10.8	12.4
5	10.0	13.3	14.9
6	12.5	15.8	17.4
7	15.0	18.3	19.9
8	17.5	20.8	22.4
9	20.0	23.3	24.9
10	22.5	25.8	27.4
11	25.0	28.3	29.9
12	27.5	30.8	32.4
13	30.0	33.3	34.9
14	32.5	35.8	37.4
15	35.0	38.3	39.9
16	37.5	40.8	42.4
17	40.0	43.3	44.9
18	42.5	45.8	47.4

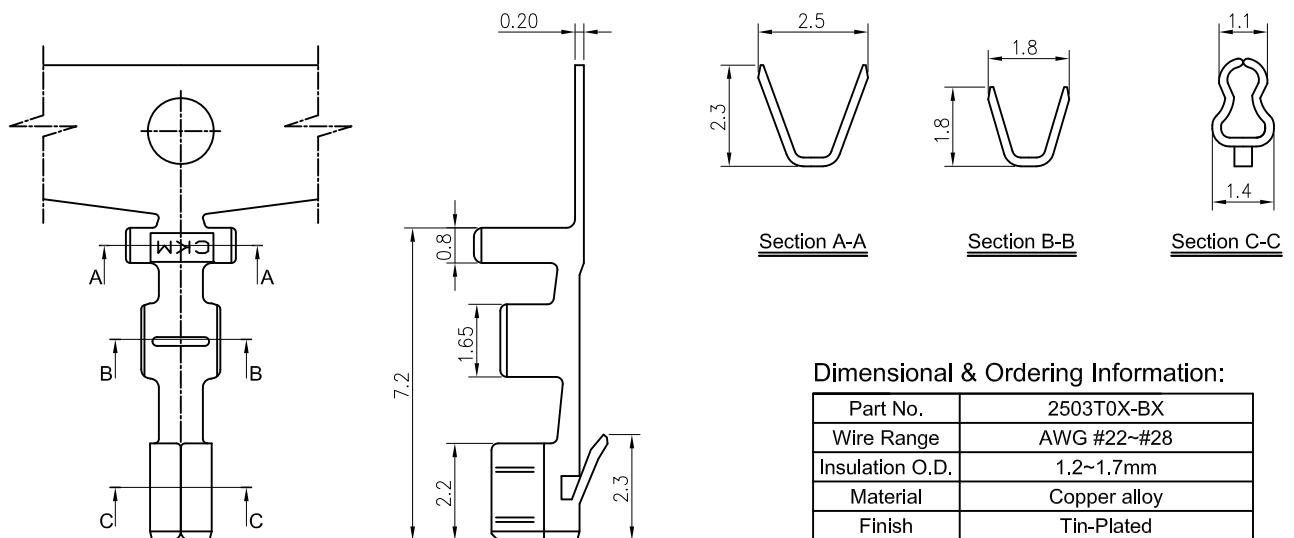
Note: X (eg. A, XX...) Designates Color, Material, identification.
For availability, delivery and MOQ, Please contact CKM.

2503 Series

2.50mm[.098] pitch Crimp Terminal

Features:

- * Used in CKM 2503 series socket
- * Material : 0.20mm thick Copper alloy, Tin-plated
- * CKM P/N : 2503T0X



Dimensional & Ordering Information:

Part No.	2503T0X-BX
Wire Range	AWG #22-#28
Insulation O.D.	1.2~1.7mm
Material	Copper alloy
Finish	Tin-Plated

Note: * (eg. 0, A, B...) designates Au-plate thickness identification.
For availability, delivery and MOQ, Please contact CKM.

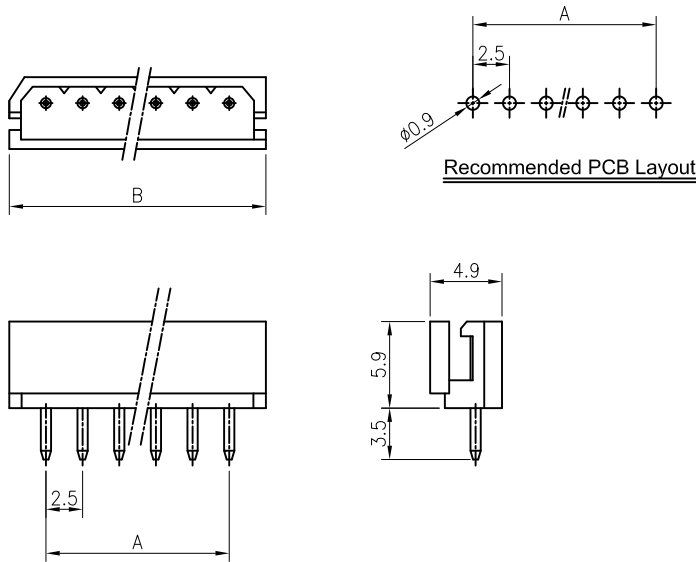
2503 Series

2.50mm[.098] pitch wafer (Vertical-DIP Type)



Features:

- * Single Row Vertical-DIP Type Wafer
- * Material : Insulator: Nylon 66 UL 94V-0 (Natural)
Contact Post: Ø0.70mm Brass, Tin-plated
- * Mates with CKM 2503 Series socket
- * CKM P/N : 2503WV-XP-XX-HF



Dimensional & Ordering Information:

POS	Dimensions	
	A	B
2	2.5	7.5
3	5.0	10.0
4	7.5	12.5
5	10.0	15.0
6	12.5	17.5
7	15.0	20.0
8	17.5	22.5
9	20.0	25.0
10	22.5	27.5
11	25.0	30.0
12	27.5	32.5
13	30.0	35.0
14	32.5	37.5
15	35.0	40.0
16	37.5	42.5
17	40.0	45.0
18	42.5	47.5

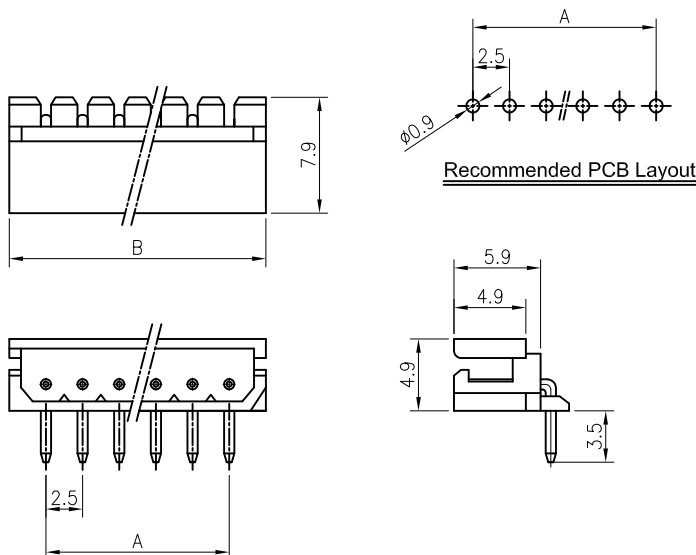
Note: X (eg. A, XX...) Designates Color, Material, identification.
For availability, delivery and MOQ, Please contact CKM.

2503 Series

2.50mm[.098] pitch wafer (Right Angle-DIP Type)

Features:

- * Single Row Right Angle-DIP Type Wafer
- * Material : Insulator: Nylon 66 UL 94V-0 (Natural)
Contact Post: Ø0.70mm Brass, Tin-plated
- * Mates with CKM 2503 Series socket
- * CKM P/N : 2503WR-XP-XX-HF



Dimensional & Ordering Information:

POS	Dimensions	
	A	B
2	2.5	7.5
3	5.0	10.0
4	7.5	12.5
5	10.0	15.0
6	12.5	17.5
7	15.0	20.0
8	17.5	22.5
9	20.0	25.0
10	22.5	27.5
11	25.0	30.0
12	27.5	32.5
13	30.0	35.0
14	32.5	37.5
15	35.0	40.0
16	37.5	42.5
17	40.0	45.0
18	42.5	47.5

Note: X (eg. A, XX...) Designates Color, Material, identification.
For availability, delivery and MOQ, Please contact CKM.