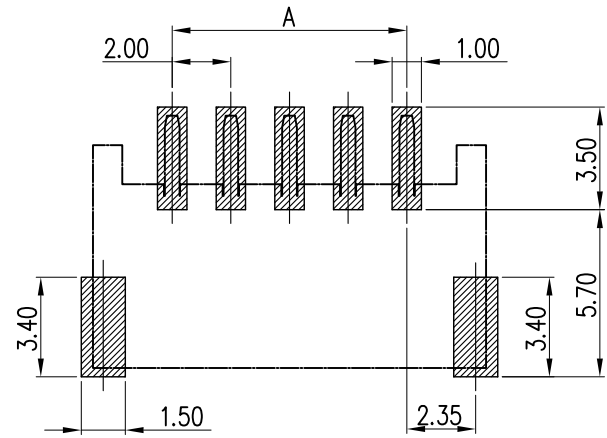
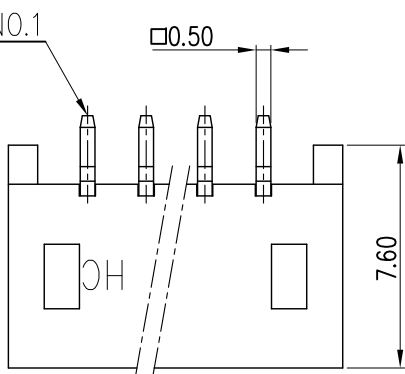


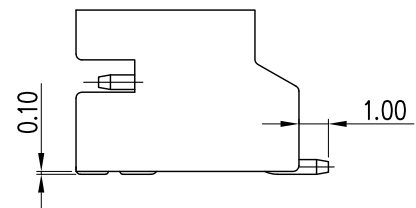
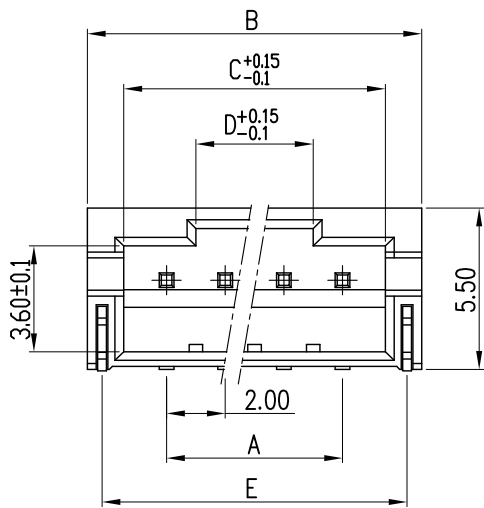
RoHS



CIRCUIT NO.1



RECOMMENDED PCB LAYOUT



NOTE:

1. MATERIAL:
  - 1.1 INSULATION: LCP UL 94V-0 (NATURAL)
  - 1.2 CONTACT: SQ 0.50MM HIGH-CONDUCTIVITY COPPER ALLOY
  - 1.3 SOLDER TAB: THICK 0.30mm BRASS
2. FINISH: MATTE TIN
3. RoHS & HALOGEN-FREE COMPLIANCE
4. BILL OF PART NO.:
  - 2001WRS-XP-A-LC-HF
  - NO OF CIRCUITS: 2~10
5. FOR AVAILABILITY, DELIVERY & MOQ, CONTACT CKM
6. DIMENSIONAL

POS	A	B	C	D	E
2	2.00	7.40	4.90	0.60	6.25
3	4.00	9.40	6.90	2.00	8.25
4	6.00	11.40	8.90	4.00	10.25
5	8.00	13.40	10.90	6.00	12.25
6	10.00	15.40	12.90	8.00	14.25
7	12.00	17.40	14.90	10.00	16.25
8	14.00	19.40	16.90	12.00	18.25
9	16.00	21.40	18.90	14.00	20.25
10	18.00	23.40	20.90	16.00	22.25



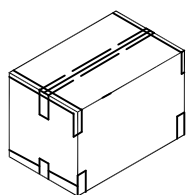
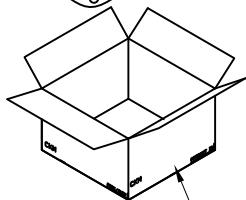
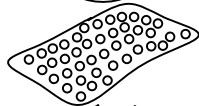
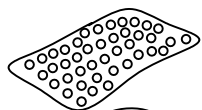
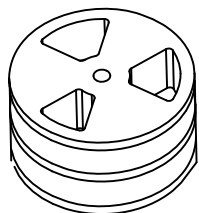
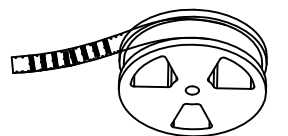
<b>TOLERANCE</b> X. X.XXX ±0.10 X.X ±0.30 X.XX ±0.20 Angular ±2°		<b>PART NO.</b> 2001WRS-XP-A-HC-HF		朝貴電子股份有限公司 CKM ELECTRONICS CO., LTD.	
		<b>UNIT:</b> mm		<b>DESCRIPTION</b> 2.0mm PITCH RIGHT ANGLE SMT TYPE CONNECTOR	
<b>DWG TYPE.</b> Customer Drawing		<b>APPROVED BY</b> Angus Chen 2018.08.26	<b>CHECKED BY</b> Jimmy Wang 2018.08.26	<b>DRAWN BY</b> Jimmy Wang 2018.08.26	<b>PAGE</b> 1 OF 2  <b>SCALE</b> 4: 1
					<b>REV.</b> A

A		NEW RELEASE	Jimmy Wang	2019.08.26
REV.	ECN NO	REVISION RECORD	DRAW	DATE

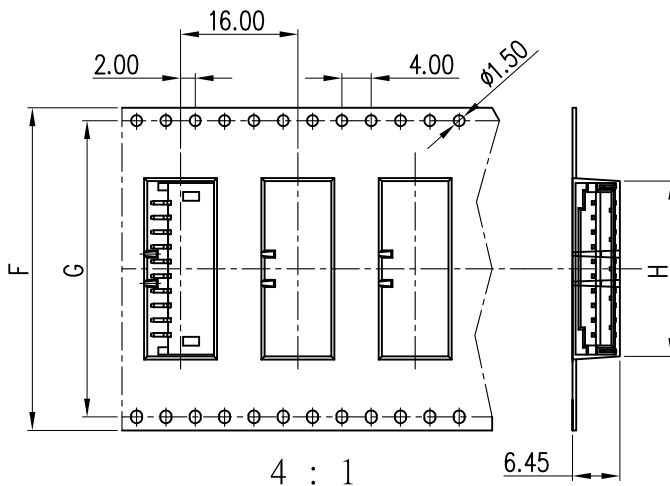
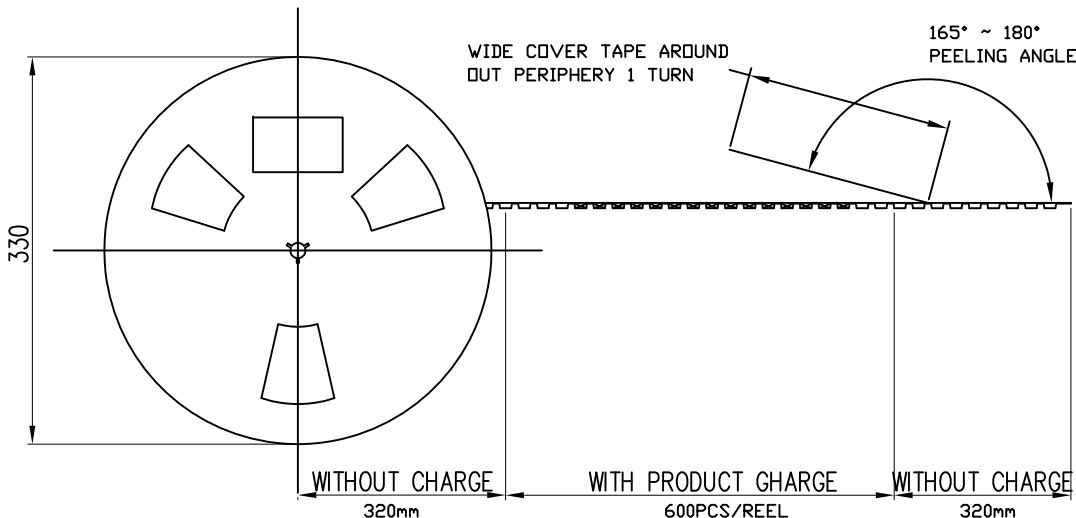
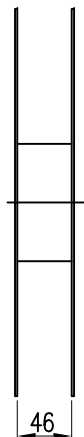
RoHS



A  
B  
C  
D



341mm(L)\*341mm(W)\*221mm(H)



DIMENSIONAL & ORDERING INFORMATION

POS	F	G	H	PCS/REEL	PCS/CARTON
2				600	3000
3					3000
4	32.0	28.4	15.9		3000
5					3000
6					3000
7					2400
8	44.0	40.4	28.3		2400
9					2400
10					2400

<b>TOLERANCE</b>		<b>PART NO.</b>		朝貴電子股份有限公司 CKM ELECTRONICS CO., LTD.	
X. X.XXX ±0.10		2001WRS-XP-A-HC-HF			
X.X ±0.30		<b>DRAWING NO.</b>		<b>DESCRIPTION</b>	
X.XX ±0.20	Angular ±2°	C-2001WRS-XP-A-HC-HF		2.0mm PITCH RIGHT ANGLE SMT TYPE CONNECTOR	
		<b>UNIT:</b>		<b>APPROVED BY</b>	
		mm		Angus Chen 2018.08.26	
<b>DWG TYPE.</b>		<b>CHECKED BY</b>		<b>DRAWN BY</b>	
Customer Drawing		Jimmy Wang 2018.08.26		Jimmy Wang 2018.08.26	
			<b>PAGE</b>		<b>REV.</b>
			2 OF 2		A
			<b>SCALE</b>		
			1: 1		

A		NEW RELEASE	Jimmy Wang	2019.08.26
REV.	ECN NO	REVISION RECORD	DRAW	DATE