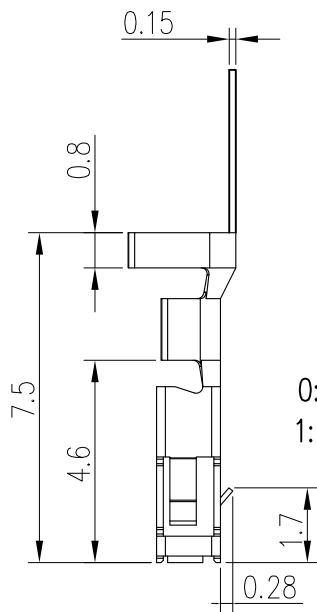
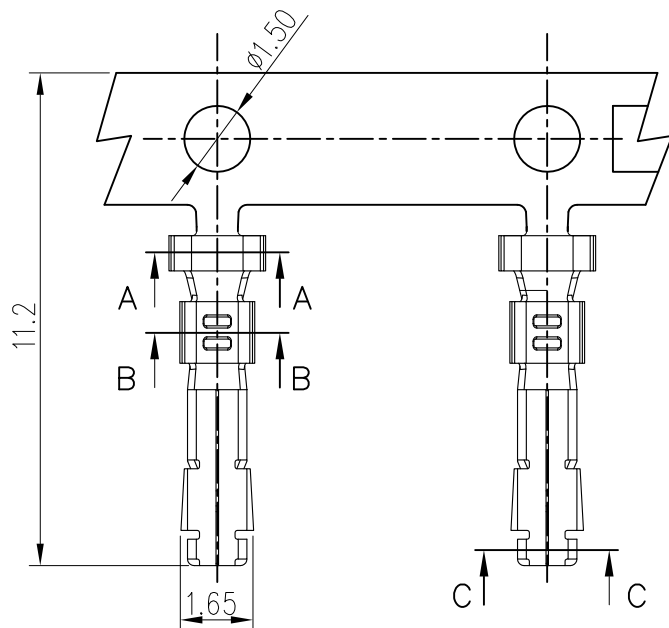


1 PROPOSAL

2 RoHS

6 CUST INFORMATION.

PART NO. Lance	DRAWING NO.	REV.
-------------------	-------------	------



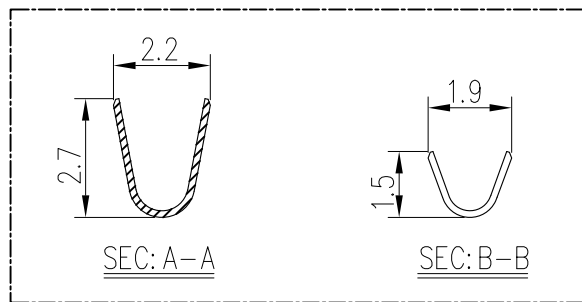
NOTE:

1. MATERIAL: 0.15mm THICK COPPER ALLOY
2. FINISH: GOLD OR TIN-PLATING
3. APPLICABLE WIRES: AWG#22-#28
4. INSULATION O.D.: 0.80~1.50mm
5. RoHS COMPLIANT
6. Q'ty / REEL: 10,000 PCS
7. FOR AVAILABILITY, DELIVERY & MOQ, CONTACT CKM

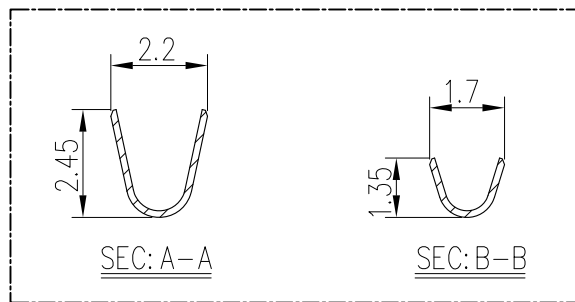
2022TXP-XX

- 0: AWG#22 to #26
- 1: AWG#24 to #28

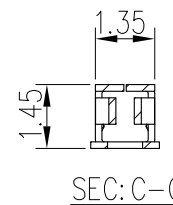
FINISH:  
 B1=PRE-BRIGHT TIN PLATING  
 C=PRE-GOLD FLASH PLATING (CONTACT AREA)


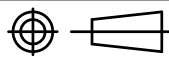


STANDARD TYPE  
 AWG#22 to #26



SHORT BARREL TYPE  
 AWG#24 to #28



<b>TOLERANCE</b>		<b>PART NO.</b> 2022TXP-XX		 朝貴電子股份有限公司 CKM ELECTRONICS CO., LTD.	
X.	X.XXX ±0.10	<b>DRAWING NO.</b> C-2022TXP-XX			
X.X	±0.30	 <b>UNIT:</b> mm		<b>APPROVED BY</b> Angus Chen 2023.08.23	
X.XX	±0.20			<b>CHECKED BY</b> Lance Cheng 2023.08.23	
<b>DWG TYPE.</b> Customer Drawing		<b>PAGE</b> 1 OF 2		<b>REV.</b> 3	
		<b>SCALE</b> 6: 1			

3		PROPOSAL DRAWING	Shawn	2023.08.23
2		PROPOSAL DRAWING	Secily	2022.05.06
REV.	ECN NO	REVISION RECORD	DRAW	DATE

