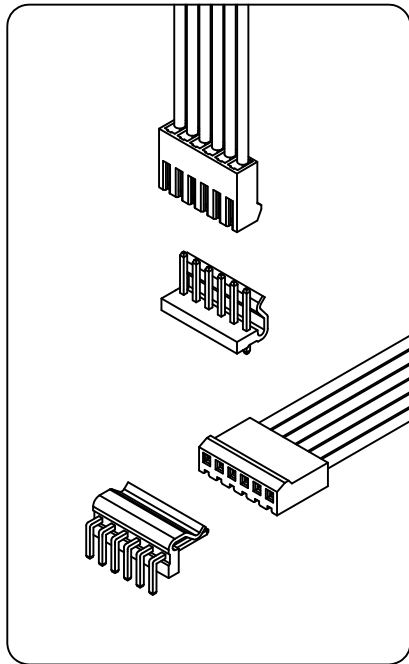


3961 Series

3.96mm[.0156] pitch Wire to Board Connector



Specifications:

Circuit	2~20Poles
Pitch between poles	3.96mm
Rated Voltage	250V AC,DC
Rated Current	7A(AWG #18)
Withstand Voltage	1500V AC/minute
Contact Resistance	20mΩ Max.
Insulation Resistance	1000MΩ Min.
Temperature Range	-25°~+85°C
Applicable Wire Range	AWG #18~#26

UL: Recognized No. E186634

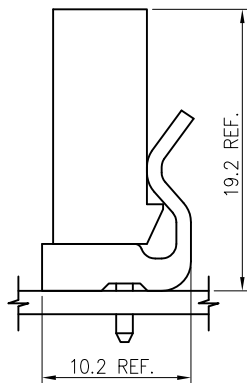
CSA: Certified No. LR110611

RoHS: Specification

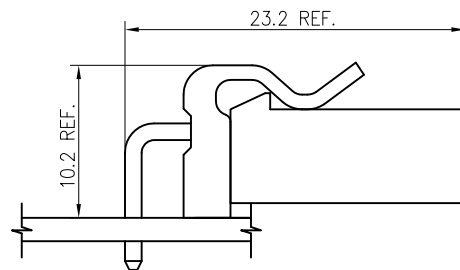
HF: Halogen-free products

Assembly Layout

Vertical Type



Right Angle Type



Ordering Code

① ② ③ ④ ⑤
3961 H -XP -X -HF

- ① Series No.
- ② Housing
- ③ No. of circuits: 2~20
- ④ Color Code: Blank(Natural) or X(other)
- ⑤ HF: Halogen Free (or not)

① ② ③④ ⑤
3961 T 0X -BX

- ① Series No.
- ② Terminal
- ③ Crimp Type: 0=Standart Type
- ④ Material: Copper alloy
- ⑤ Plated Code: B1=Per-Tin Plated
B2=Post-Tin Plated

① ②③ ④ ⑤⑥ ⑦
3961 WX -XX -XX -HF

- ① Series No.
- ② Wafer
- ③ Entry Type: WV=Vertical
WR=Right angle
- ④ No. of circuits: 2~20
- ⑤ Plating code: B=Bright Tin
- ⑥ Color Code: Blank(Natural) or X(other)
- ⑦ HF: Halogen Free (or not)

Note: * (eg. A, B, X...) designates Plated thickness identification.
For availability, delivery, color and MOQ, contact CKM.

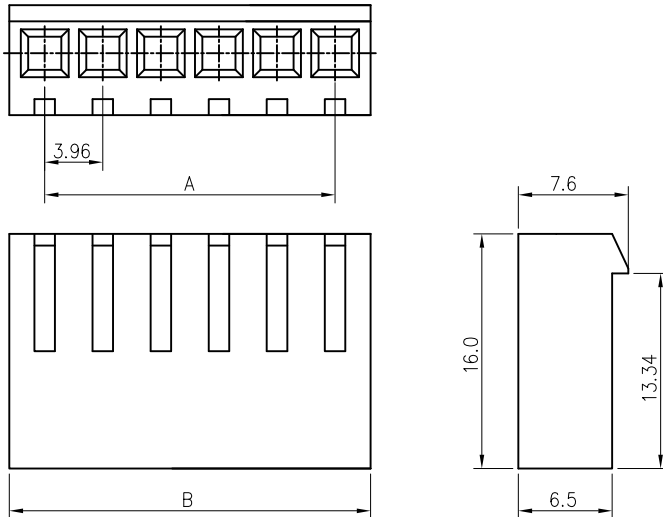
3961 Series

3.96mm[.0156] pitch Crimp Terminal Socket



Features:

- * Single Row Terminal Socket
- * Material : Nylon 66 UL 94V-0 (Natural)
- * Suitable for CKM 3961 series terminal
- * CKM P/N : 3961H-XP-X-HF



Dimensional & Ordering Information:

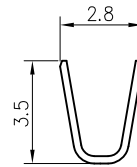
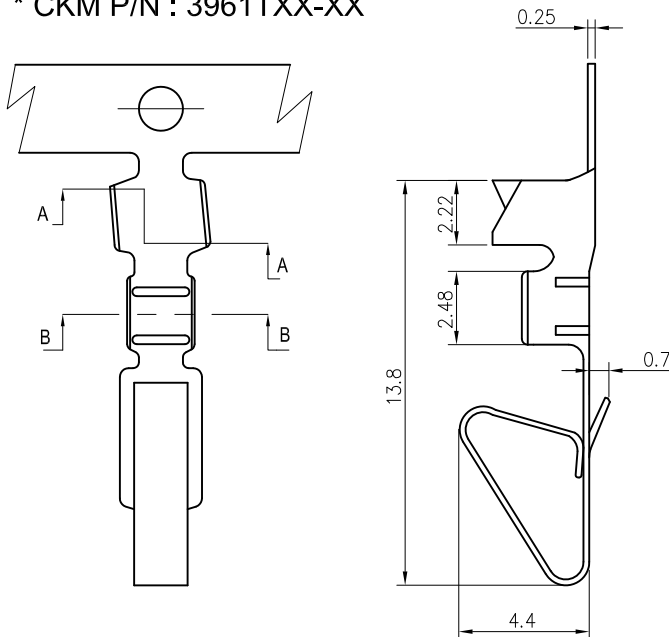
POS	Dimensions	
	A	B
2	3.96	8.7
3	7.92	12.6
4	11.88	16.6
5	15.84	20.5
6	19.80	24.5
7	23.76	28.6
8	27.72	32.5
9	31.68	36.5
10	35.64	40.4
11	39.60	44.4
12	43.56	48.4
13	47.52	52.3
14	51.48	56.3
15	55.44	60.2
16	59.40	64.2
17	63.36	68.2
18	67.32	72.1
19	71.28	76.1
20	75.24	80.0

3961 Series

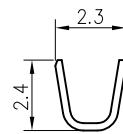
3.96mm[.0156] pitch Crimp Terminal

Features:

- * Used in CKM 3961 series socket
- * Material : 0.25mm thick Copper alloy, Tin or Gold-plated
- * CKM P/N : 3961TXX-XX



Section A-A



Section B-B

Dimensional & Ordering Information:

Part No.	3961TXX-BX	3961TXX-CX
Wire Range	AWG #18~#26	
Insulation O.D.	1.3~2.1mm	
Material	Copper alloy	
Finish	Tin-Plated	Gold-Plated
Qty / reel	7,000 pcs	

Note: * (eg. 0, A, B...) designates Au-plate thickness identification.
For availability, delivery and MOQ, Please contact CKM.

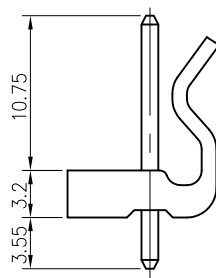
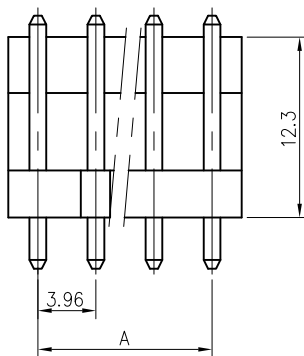
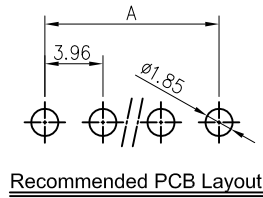
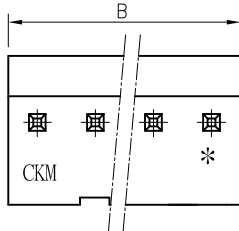
3961 Series

3.96mm[.156] pitch wafer (Vertical-DIP Type)



Features:

- * Single Row Vertical-DIP Type Wafer
- * Material : Insulator: Nylon 66 UL94V-0/2 (Natural)
Contact Post: SQ. 1.14mm Copper alloy, Tin-plated
- * Mates with CKM 3961 Series socket
- * CKM P/N : 3961WV-XP-XX-HF



Dimensional & Ordering Information:

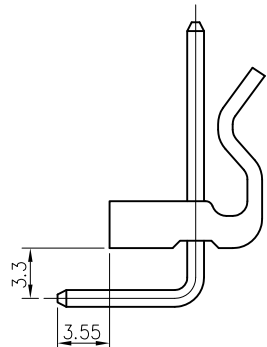
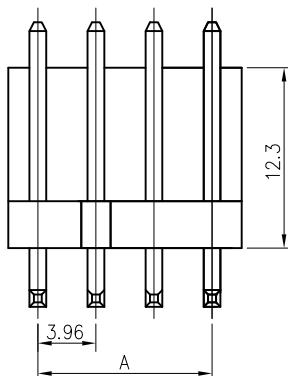
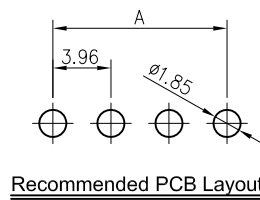
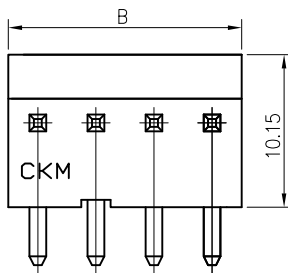
POS	Dimensions	
	A	B
2	3.96	7.92
3	7.92	11.88
4	11.88	15.84
5	15.84	19.80
6	19.80	23.76
7	23.76	27.72
8	27.72	31.68
9	31.68	35.64
10	35.64	39.60
11	39.60	43.56
12	43.56	47.52
13	47.52	51.48
14	51.48	55.44
15	55.44	59.40
16	59.40	63.36
17	63.36	67.32
18	67.32	71.28
19	71.28	75.24
20	75.24	79.20

3961 Series

3.96mm[.156] pitch wafer (Right Angle-DIP Type)

Features:

- * Single Row Right Angle-DIP Type Wafer
- * Material : Insulator: Thermoplastic UL 94V-0/2 (Natural)
Contact Post: SQ. 1.14mm Copper alloy, Tin-plated
- * Mates with CKM 3961 Series socket
- * CKM P/N : 3961WR-XP-XX-HF



Dimensional & Ordering Information:

POS	Dimensions	
	A	B
2	3.96	7.92
3	7.92	11.88
4	11.88	15.84
5	15.84	19.80
6	19.80	23.76
7	23.76	27.72
8	27.72	31.68
9	31.68	35.64
10	35.64	39.60
11	39.60	43.56
12	43.56	47.52
13	47.52	51.48
14	51.48	55.44
15	55.44	59.40
16	59.40	63.36
17	63.36	67.32
18	67.32	71.28
19	71.28	75.24
20	75.24	79.20