



PRODUCT SPECIFICATION

CKM PN: 2541XX-XX

2.54mm PITCH CONNECTOR

REVISION HISTORY:

| REV | REVISION DESCRIPTION | DATE | CREATED/REVISED |
|-----|----------------------|------------|-----------------|
| A | NEW RELEASE | 2006.04.03 | |
| B | UPGRADE THE FORM | 2013.10.20 | Qinggang yang |
| | | | |
| | | | |
| | | | |
| | | | |

| | | | | |
|---|--|---|------------------------------|----------------------------------|
| <u>REVISION:</u> B | <u>ECR/ECN INFORMATION:</u> EC No.: DATE: 2009/09/22 | <u>TITLE:</u> 2.54mm PITCH CONNECTOR | <u>SHEET No.</u> 1 of 7 | |
| <u>DOCUMENT NUMBER:</u> PS-2541-001 | | <u>CREATED/REVISED</u> Qinggang yang | <u>CHECKED BY</u> Sun Lee | <u>APPROVED BY</u> Angus Chen |



1.0. SCOPE

This product specification covers performance, tests and quality requirements for **2541 Connector System** When tests are performed on subject product line, procedures specified in Figure 1 shall be used. All inspections shall be performed using the applicable product drawing.

2.0. APPLICABLE DOCUMENTS

The following documents form a part of this specification to the extent specified herein. Unless otherwise specified, the latest edition of the document applies. In the event of conflict between the requirements of the specification and the product drawing, the product drawing shall take precedence. In the event of conflict between the requirements of this specification and the referenced documents, this specification shall take precedence.

2.1. APPLICABLE DOCUMENTS AND SPECIFICATIONS

- EIA-364
- UL-94 Flammability

3.0.REQUIREMENTS

3.1 Design and Construction

Product shall be of the design, construction and physical dimensions specified on the applicable product drawing

3.2 MATERIAL

Materials used in the construction of this product shall be as specified on the applicable product drawing

3.3 Ratings

1. Voltage: 250 volts AC.
2. Current: See Figure 4 for applicable current carrying capability. Maximum rated current that can be carried by this product is limited by maximum operating temperature of the housings (85°C) and temperature rise of the housings (30°C). Variables to be considered for each application are: wire size, connector size, contact material, ambient temperature, and printed circuit board design.
3. Temperature: -25 to 85°C

3.4 Performance and Test Description.

Product is designed to meet the electrical, mechanical and environmental performance requirements specified in Figure 1. Unless otherwise specified, all tests shall be performed at ambient environmental conditions.

3.5 Test Requirements and Procedures Summary

| Test Description | Requirement | Procedure |
|---------------------------------|---|--|
| Initial examination of product. | Meets requirements of product drawing and Application | EIA-364-18. Visual and dimensional (C of C) inspection per product drawing |

| | | | | |
|---|--|---|----------------------------------|--------------------------------------|
| REVISION: B | ECR/ECN INFORMATION: EC No.: DATE: 2009/09/22 | TITLE: 2.54mm PITCH CONNECTOR | | SHEET No. 2 of 7 |
| DOCUMENT NUMBER: PS-2541-001 | | CREATED/REVISED Qinggang yang | CHECKED BY Sun Lee | APPROVED BY Angus Chen |



| | | |
|-------------------------------|----------------------------|--------------------------------|
| Final examination of product. | Meets visual requirements. | EIA-364-18. Visual inspection. |
|-------------------------------|----------------------------|--------------------------------|

ELECTRICAL

| | | |
|--------------------------------------|---|--|
| Low Level Contact Resistance (LLCR). | 10 milliohms maximum initial. 20 milliohms maximum final. | EIA-364-23. Subject specimens to 100 milliamperes maximum and 20 millivolts maximum open circuit voltage. See Figure 3. |
| Insulation resistance. | 1000 meg ohms minimum initial. 500 meg ohms minimum final. | EIA-364-21. 500 volts DC, 2 minute hold. Test between adjacent contacts. |
| Withstanding voltage. | One minute hold with no breakdown or flashover. 1.3 milliamperes maximum leakage current. | EIA-364-20, Condition I. 800 volts AC at sea level. Test between adjacent contacts. |
| Temperature rise vs current. | 30°C maximum temperature rise at specified current. | EIA-364-70, Method 1. Stabilize at a single current level until 3 readings at 5 minute intervals are within 1°C. See Figure 4. |

MECHANICAL

| | | |
|-------------------------|--|--|
| Solderability dip test. | Solderable area shall have a minimum of 95% solder coverage. | |
|-------------------------|--|--|

| | | | |
|---|--|---|------------------------------|
| REVISION: B | ECR/ECN INFORMATION: EC No.: DATE: 2009/09/22 | TITLE: 2.54mm PITCH CONNECTOR | SHEET No. 3 of 7 |
| DOCUMENT NUMBER: PS-2541-001 | | CREATED/REVISED Qinggang yang | CHECKED BY Sun Lee |
| | | APPROVED BY Angus Chen | |



朝貴電子股份有限公司

CKM ELECTRONICS CO., LTD.

| | | |
|-------------------|---|--|
| Random vibration. | No discontinuities of 1 microsecond or longer duration. See Note | EIA-364-28, Test Condition VII, Condition Letter D. Subject mated specimens to 3.10 G's rms between 20 to 500 Hz. |
| Mechanical shock. | No discontinuities of 1 microsecond or longer duration. See Note. | EIA-364-27, Method H. Subject mated specimens to 30 G's half-sine shock pulses of 11 milliseconds duration. Three shocks in each direction applied along 3 mutually perpendicular planes, 18 total shocks. |
| Durability. | See Note. | EIA-364-9. Manually mate and un mate specimens with companion headers for 15 cycles at a maximum rate of 500 cycles per hour. |
| Mating force. | 5 N maximum per contact. | EIA-364-13. Measure force necessary to mate specimens with companion headers a distance of 5.08 mm from point of initial contact at a maximum rate of 12.7 mm per minute. |
| Un mating force. | 0.8 N minimum per contact. | EIA-364-13. Measure force necessary to un mate specimens from companion headers at a maximum rate of 12.7 mm per minute |
| Crimp tensile. | 1.0kg minimum | EIA-364-8. Determine crimp tensile at a rate of 25.4 mm per minute. |

| | | | | |
|---|--|---|------------------------------|----------------------------------|
| <u>REVISION:</u> B | <u>ECR/ECN INFORMATION:</u> EC No.: DATE: 2009/09/22 | <u>TITLE:</u> 2.54mm PITCH CONNECTOR | <u>SHEET No.</u> 4 of 7 | |
| <u>DOCUMENT NUMBER:</u> PS-2541-001 | | <u>CREATED/REVISED</u> Qinggang yang | <u>CHECKED BY</u> Sun Lee | <u>APPROVED BY</u> Angus Chen |



| | | |
|--------------------|---------------|--|
| Contact retention. | 1.0kg minimum | EIA-364-29. Apply axial load at a rate of 4.4 N per second and hold for 6 seconds. |
|--------------------|---------------|--|

ENVIRONMENTAL

| | | |
|-----------------------------|-----------|---|
| Thermal shock. | See Note. | EIA-364-32, Test Condition VII. Subject mated specimens to 10cycles between -55 and 105°C with30 minute dwells at temperature extremes and 1 minute transition between temperatures |
| Humidity/temperate cycling. | See Note. | EIA-364-31, Method III. Subject specimens to 10 cycles (10days) between 25 and 65°C at 80 to100% RH. |
| Temperature life. | See Note. | EIA-364-17, Method A, Test Condition 4, Test Time Condition C. Subject mated specimens to 105°Cfor 500 hours |

NOTE

Shall meet visual requirements, show no physical damage, and meet requirements of additional tests as specified in the Product Qualification and Requalification Test Sequence shown in Figure2.

Figure 1(End)

| Test or Examination | Test Group (a) | | | | |
|--------------------------------|----------------|--------|-----|---|---|
| | 1 | 2 | 3 | 4 | 5 |
| Initial examination of product | 1 | 1 | 1 | 1 | 1 |
| LLCR | 3.7 | 2.6 | | | |
| Insulation resistance | | | 2.5 | | |
| Withstanding voltage | | | 3.6 | | |
| Temperature rise vs current | | 3 | | | |
| Solder ability dip test | | | | 2 | |
| Random vibration | 5 | | | | |
| Mechanical shock | 6 | | | | |
| Durability | 4 | | | | |
| Mating force | 2 | | | | |
| Un mating force | 8 | | | | |
| Crimp tensile | | | | | 2 |
| Contact retention | | | 7 | | |
| Thermal shock | | | 4 | | |
| Humidity/temperature cycling | | 4(C) | | | |
| Temperature life | | 5 | | | |
| Final examination of product | 9 | 7 | 8 | 3 | 3 |

NOTE:

| | | | |
|---|--|---|------------------------------|
| REVISION: B | ECR/ECN INFORMATION: EC No.: DATE: 2009/09/22 | TITLE: 2.54mm PITCH CONNECTOR | SHEET No. 5 of 7 |
| DOCUMENT NUMBER: PS-2541-001 | | CREATED/REVISED Qinggang yang | CHECKED BY Sun Lee |
| | | APPROVED BY Angus Chen | |



- (a) See paragraph 4.1.A.
- (b) Numbers indicate sequence in which tests are performed.
- (c) Precondition specimens with 10 durability cycles.

Figure 2

4. QUALITY ASSURANCE PROVISIONS

4.1 Qualification Testing

A. Specimen Selection

Specimens shall be prepared in accordance with applicable Instruction Sheets and shall be selected at random from current production. Test groups 1, 2, 3 and 5 shall each consist of a minimum of 5 specimens with a minimum of 30 data points. Test group 4 shall consist of a minimum of 5 specimens with a minimum of 30 header posts

B. Test Sequence

Qualification inspection shall be verified by testing specimens as specified in Figure 2.

4.2 Requalification Testing

If changes significantly affecting form, fit or function are made to the product or manufacturing process, product assurance shall coordinate requalification testing, consisting of all or part of the original testing sequence as determined by development/product, quality and reliability engineering.

4.3 Acceptance

Acceptance is based on verification that the product meets the requirements of Figure 1. Failures attributed to equipment, test setup or operator deficiencies shall not disqualify the product. If product failure occurs, corrective action shall be taken and specimens resubmitted for qualification. Testing to confirm corrective action is required before resubmittal.

4.4 Quality Conformance Inspection

The applicable quality inspection plan shall specify the sampling acceptable quality level to be used. Dimensional and functional requirements shall be in accordance with the applicable product drawing and this specification.

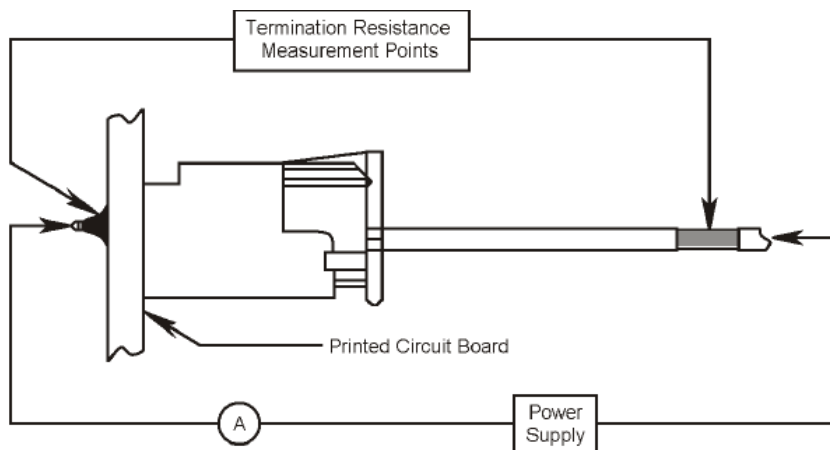


Figure 3
LLCR Measurement Points

| | | | |
|--|--|---|------------------------------|
| REVISION: B | ECR/ECN INFORMATION: EC No.: DATE: 2009/09/22 | TITLE: 2.54mm PITCH CONNECTOR | SHEET No. 6 of 7 |
| DOCUMENT NUMBER: PS-2541-001 | | CREATED/REVISED Qinggang yang | CHECKED BY Sun Lee |
| | | APPROVED BY Angus Chen | |

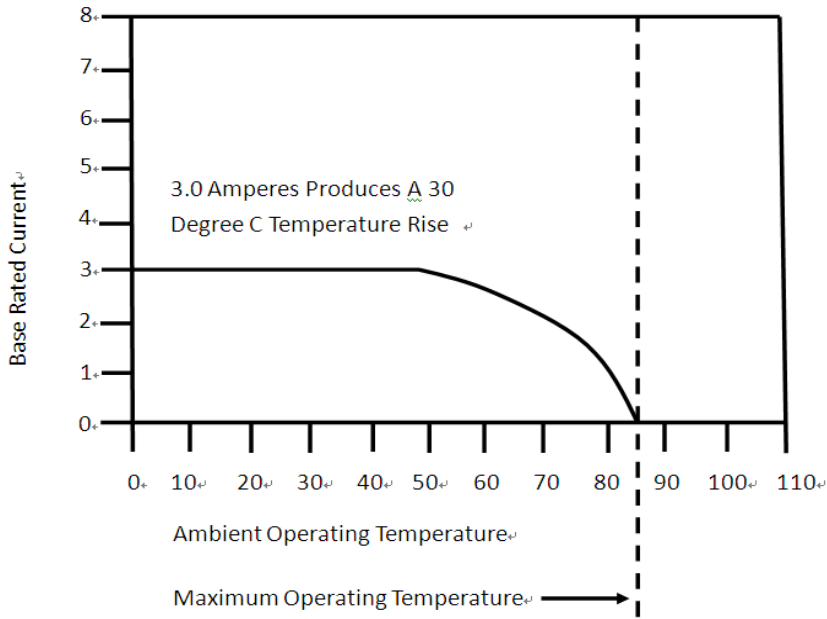


Figure 4
Current Rating

NOTE:

To determine acceptable current carrying capacity for percentage connector loading and wire gage indicated, use the Multiplication Factor (F) from the above chart and multiply it times the Base rated Current for a single circuit at the maximum ambient operating temperature shown in Figure 4.

| | | | |
|--|--|---|------------------------------|
| REVISION: B | ECR/ECN INFORMATION: EC No.: DATE: 2009/09/22 | TITLE: 2.54mm PITCH CONNECTOR | SHEET No. 7 of 7 |
| DOCUMENT NUMBER: PS-2541-001 | | CREATED/REVISED Qinggang yang | CHECKED BY Sun Lee |
| | | APPROVED BY Angus Chen | |