

RoHS

Proposal Drawing

CUST INFORMATION.

PART NO. NA	DRAWING NO. NA	REV. NA
----------------	-------------------	------------

67F0211RD1

LEFT LED GREEN
RIGHT LED YELLOW

16±0.38
16.80±0.38

16.85±0.38
3.00±0.25
4.10
3.89
8.89
2.54

12.65
7.57
1.27*7=8.89

11.43±0.25
15.8±0.25

15.85
12.65
11.43
7.57
4-Ø1.02
2-Ø3.2
2-Ø1.6
8-Ø0.9
15.8±0.25
11.43±0.25
2.54
1.27*7=8.89
4.1
3.89
8.89


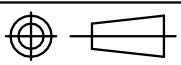
RECOMMENDED PCB LAYOUT
TOLERANCE ±0.05mm(T=1.6mm)

NOTES:

- Shielded - 0.20mm Thickness Brass C2680 H. Plating Nickel 20u"MIN.
- Housing- Plastic:PBT,Glass Fiber Filled UL94V-0 , Color Black
- Contact Pin- Plastic:PBT,Glass Fiber Filled UL94V-0 , Color Black Pin:0.35mm Thickness Phosphor Bronze C5210 EH. Plating:Nickel 30u"~60u" For All And Sn 100u"min And Gold Plating 6u".
- Insert Pin- Plastic:PBT,Glass Fiber Filled UL94V-0 , Color Black Pin:0.35mm Thickness C2680. Plating:Sn 100u"min All Over 30u"~60u" Nickel
- LED-

STANDARD LED	WAVELENGTH	FORWARD VOLTAGE
GREEN	565nm	2.5V MAX
YELLOW	585nm	2.5V MAX

With a forward current of 20mA

TOLERANCE		PART NO.		 朝貴電子股份有限公司 CKM ELECTRONICS CO., LTD.		
X. X.X ±0.30	X.XXX ±0.10	5933-67-00901				
X.XX ±0.20	Angular ±2°	DRAWING NO.		TITLE: RJ45 1*1 W/ SHIELD W/ LED		
 UNIT: mm		C-5933-67-00901		TRANSFORMER (10/100 BASE-T) JACK		
DWG TYPE.		APPROVED BY	CHECKED BY	DRAWN BY	PAGE	REV.
Customer Drawing		Angus	Flyer	Flyer	1 OF 2	1
		2019/07/27	2019/07/27	2019/07/27	SCALE	
				2 : 1		

1		PROPOSAL DRAWING	Flyer	2019/07/27
REV.	ECN NO	REVISION RECORD	DRAW	DATE

1 2 3 4 5 6 QMI-P12-05-01

1
RoHS

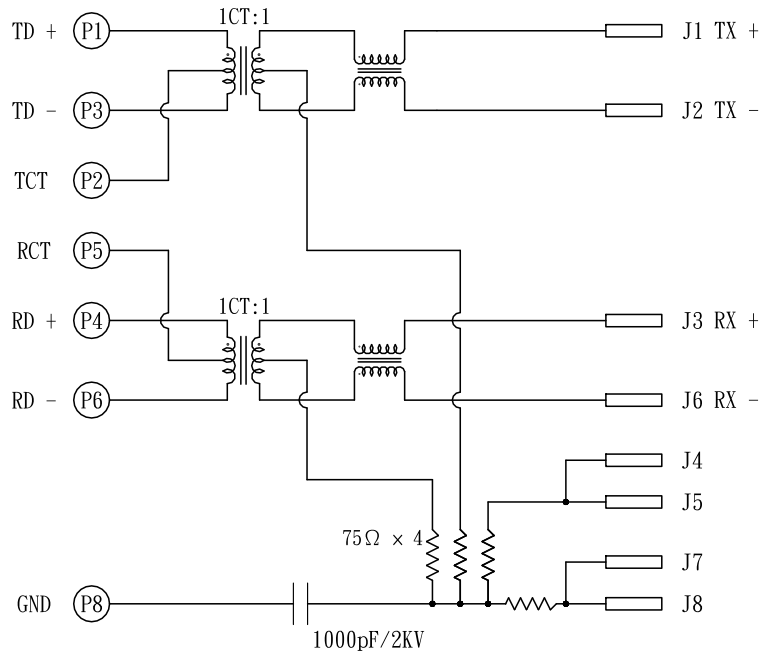
2
Proposal Drawing

6
CUST INFORMATION.

PART NO. NA	DRAWING NO. NA	REV. NA
----------------	-------------------	------------

67F0211RD1

SCHEMATIC: 68F-02



LEFT LED RIGHT LED
9- 10+ GREEN 11- 12+ YELLOW



Feature:

- . Operating temperature: 0°C to +70°C
- . Storage temperature: -40°C to +85°C

Electrical Specifications: (25°C)

- Turns Ratio:@100KHz, 0.1V
P1-P3: J1-J2 = 1:1±5%
P4-P6: J3-J6 = 1:1±5%
- OCL: @100KHz, 0.1V, 8mA DC BAIS:350uH Min
- Insertion Loss:
@1~100MHz : -1.0dB Max
- Return Loss:
@1~30MHz : -18dB Min
@30~60MHz : -16dB Min
@60~80MHz : -12dB Min
@80~100MHz : -10dB Min
- Crosstalk: @1~100MHz : -30dB Min
- Common Mode Rejection: @1~100MHz : -30dB Min
- Hi-Pot: INPUT TO OUTPUT 1500VAC, 1mA, 60S
- RoHS Compliance: YES

TOLERANCE		PART NO.		朝貴電子股份有限公司 CKM ELECTRONICS CO., LTD.		
X. X.XXX ±0.10	X.X ±0.30	5933-67-00901				
X.XX ±0.20	Angular ±2°	DRAWING NO.		TITLE.RJ45 1*1 W/ SHIELD W/ LED		
UNIT: mm		C-5933-67-00901		TRANSFORMER (10/100 BASE-T) JACK		
DWG TYPE.		APPROVED BY	CHECKED BY	DRAWN BY	PAGE	REV.
Customer Drawing		Angus	Flyer	Flyer	2 OF 2	1
		2019/07/27	2019/07/27	2019/07/27	SCALE	
				2 : 1		

1		PROPOSAL DRAWING	Flyer	2019/07/27
REV.	ECN NO	REVISION RECORD	DRAW	DATE