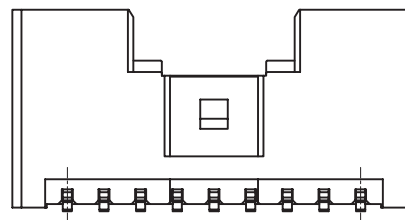
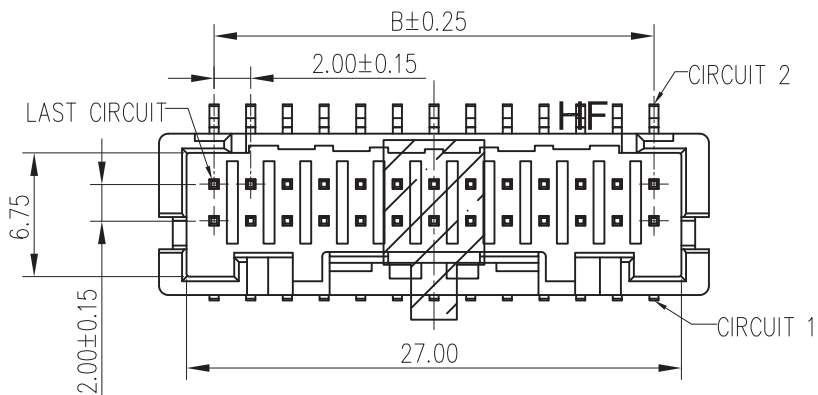


Proposal Drawing

RoHS



10P-18P

NOTES:

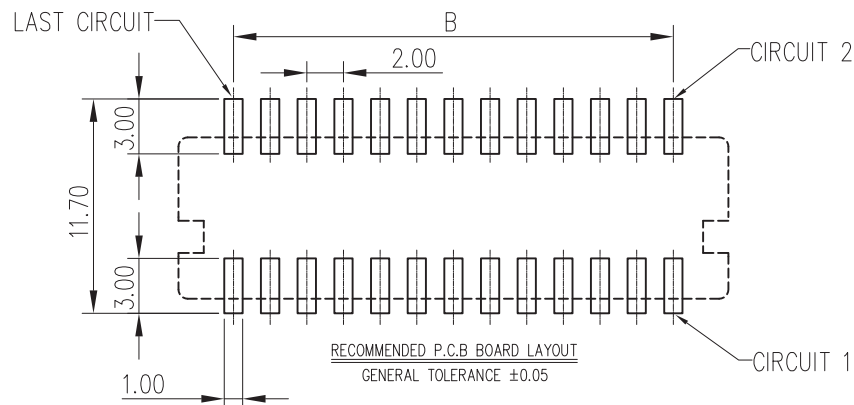
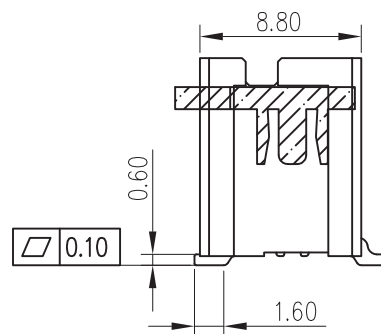
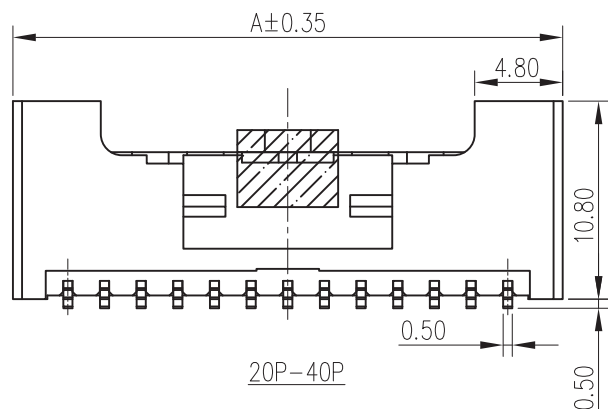
- MATERIAL SPECIFICATION:
 - INSULATOR: NYLON 6T, UL 94V-0
 - CONTACT: 0.50mm COPPER ALLOY
- FINISH:
 - SURFACE: TIN OR GOLD PLATING
 - UNDER PLATING: 50u" MIN. NICKEL PLATING OVERALL.
- RoHS & HALOGEN FREE COMPLIANT
- BILL OF PART NO:

No. OF CIRCUITS: 10~40 → 2022WVS-XXP-X X-HF → COLOR: BLANK=NATURAL OR A=BLACK, C=RED

FINISH: A=100u" MATTE TIN PLATING (OVERALL)
C=GOLD FLASH PLATED

5. DIMENSIONAL

POS	A	B	POS	A	B
10	14.0	8.0	26	30.0	24.0
12	16.0	10.0	28	32.0	26.0
14	18.0	12.0	30	34.0	28.0
16	20.0	14.0	32	36.0	30.0
18	22.0	16.0	34	38.0	32.0
20	24.0	18.0	36	40.0	34.0
22	26.0	20.0	38	42.0	36.0
24	28.0	22.0	40	44.0	38.0



TOLERANCE		PART NO.		朝貴電子股份有限公司 CKM ELECTRONICS CO., LTD.	
X. X.XXX ±0.10	X.X ±0.30	2022WVS-XXP-XX-HF			
X.XX ±0.20	Angular ±2°	DRAWING NO.		TITLE. 2.0mm PITCH VERTICAL SMT TYPE CONNECTOR.	
UNIT: mm DWG TYPE: Customer Drawing		C-2022WVS-XXP-XX-HF		APPROVED BY	
		Iven_Su		CHECKED BY	
		2022.05.09		Lance Cheng	
				DRAWN BY	
				Secily	
				PAGE	
				1 OF 1	
				SCALE	
				2: 1	
				REV.	
				2	

2		MODIFY MATERIAL	Secily	2022.05.09
1		PROPOSAL DRAWING	Secily	2022.01.06
REV.	ECN NO	REVISION RECORD	DRAW	DATE