

## Specifications:

- Circuit: 10~40 Poles
- Pitch: 2.00mm
- Rated Voltage: 250V AC,DC
- Rated Current: 2.0A (AWG #22)
- Withstand Voltage: 1000V AC/minute
- Contact Resistance: 20mΩ Max.
- Insulation Resistance: 1000MΩ Min.
- Temperature Range: -40°~+105°C
- Applicable Wire Range: AWG #28~#22
- Insulation O.D.:  $\varnothing 0.85$  to  $\varnothing 1.5$ mm

 UL:Recognized No.E186634

 RoHS-Specification

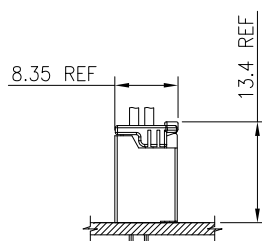
 Halogen-free products

## Features

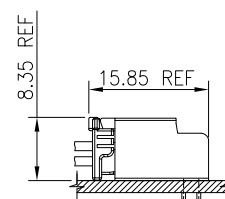
- High wall:
  - Offers terminal protection and mating guidance
- Anti-angle mating structure:
  - Prevents plug terminal damage
- Locating boss:
  - Ensures the correct mounting orientation on the PCB
- Internal positive lock:
  - Prevents wire-snagging; space saving;audible “click” when secured and easy un-mating
- Latch guard:
  - Protects during transportation and assembly operations
- Fully shrouded headers:
  - Withstand rugged handling and vibration

## Assembly Layout

Vertical Type



Right Angle Type



## Ordering Code

① ② ③ ④ ⑤  
**2021 H -XXP -X -HF**

- ① Series No.
- ② Housing
- ③ No. of circuits: 10-40
- ④ Color Code: Blank(Natural) or X(Other)
- ⑤ HF: Halogen Free

① ②③④ ⑤  
**2021 TXP -B1**

- ① Series No.
- ② Terminal
- ③ Crimp Type: 0=AWG # 24 to 22  
1=AWG # 28 to 26
- ④ Material: Phosphor bronze
- ⑤ Plated Code: B1=Pre-Tin Plated

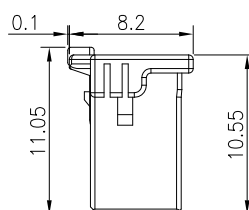
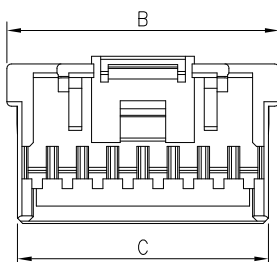
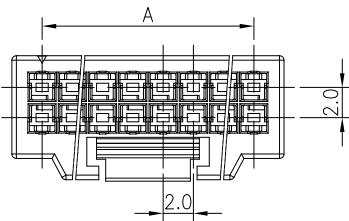
① ②③④ ⑤ ⑥⑦ ⑧  
**2021 WXX -XXP -XX -HF**

- ① Series No.
- ② Wafer
- ③ Entry Type: V=Vertical  
R=Right angle
- ④ Solder Type: Blank=DIP Type
- ⑤ No. of circuits: 10-40
- ⑥ Plating code: A=Matte Tin  
B=Bright Tin
- ⑦ Color Code: Blank(Natural) or X(Other)
- ⑧ HF: Halogen Free

Note: \* (eg. A, B, X...) designates Plated thickness identification.  
 For availability, delivery, color and MOQ, contact CKM.

## Housing

- 2.0mm pitch housing
- Material: PA66, UL 94V-0
- Suitable for CKM 2021 series terminal
- For color, availability, delivery & MOQ, contact CKM
- CKM P/N: 2021H-XXP-X-HF

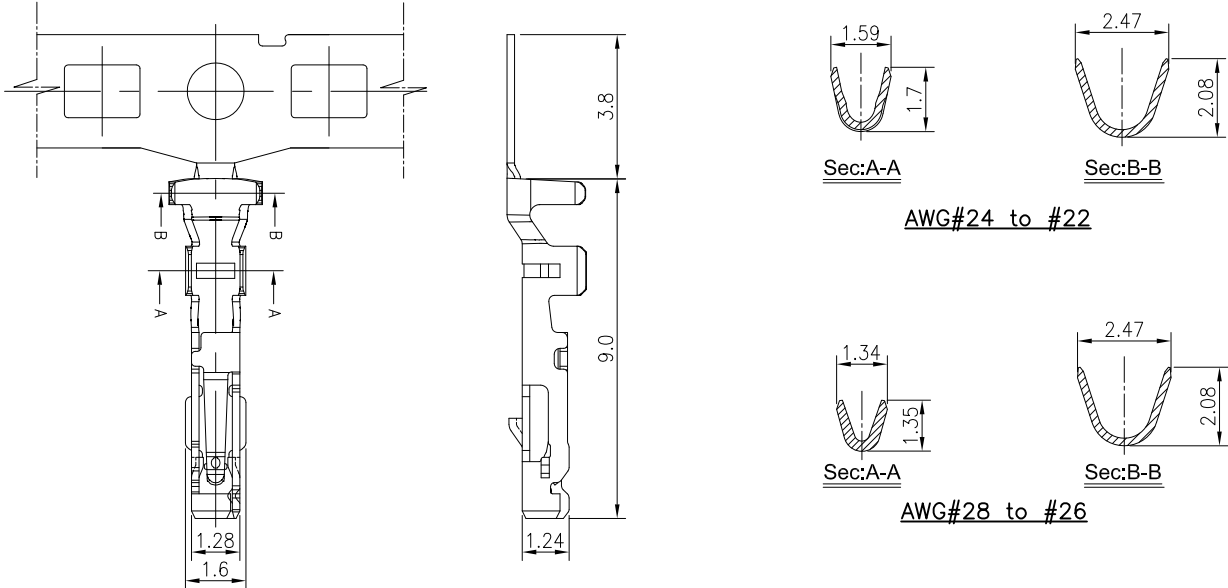


### Dimensional

POS	A	B	C
10	8	12	10.6
12	10	14	12.6
14	12	16	14.6
16	14	18	16.6
18	16	20	18.6
20	18	22	20.6
22	20	24	22.6
24	22	26	24.6
26	24	28	26.6
28	26	30	28.6
30	28	32	30.6
32	30	34	32.6
34	32	36	34.6
36	34	38	36.6
38	36	40	38.6
40	38	42	40.6

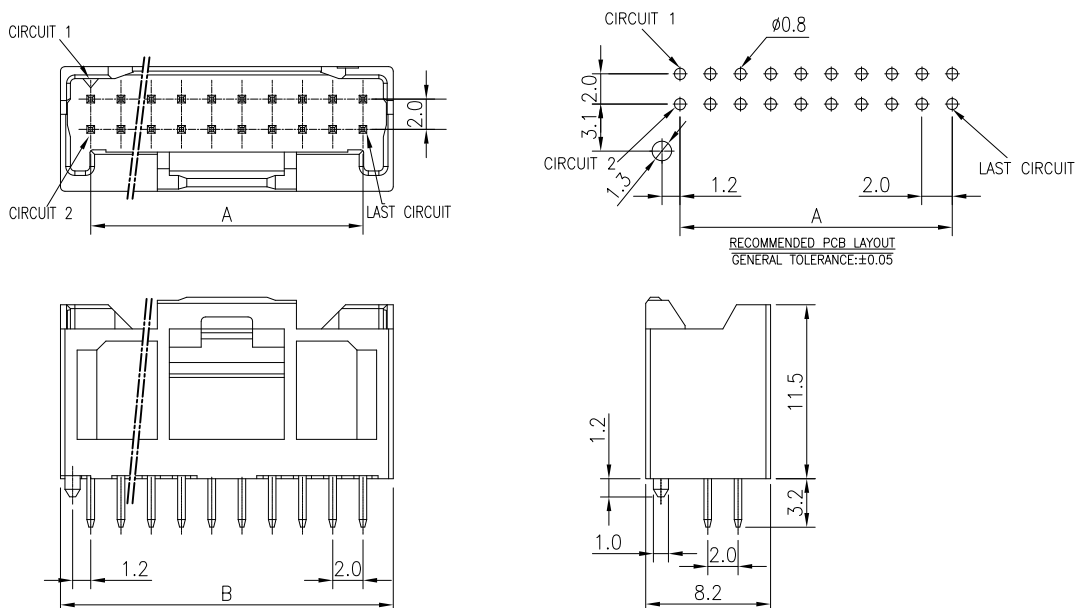
## Terminal

- 2.0mm pitch crimp terminal
- Material: 0.2mm thick phosphor bronze, Tin plating
- Used in CKM 2021 series housing
- For finish, availability, delivery & MOQ, contact CKM
- CKM P/N: 2021TXP-B1



## Wafer Vertical

- 2.0mm pitch vertical DIP type
- Material: Insulator: LCP, UL 94V-0  
Contact: SQ. 0.50mm brass, Tin plating
- Mates with CKM 2021 series housing
- For finish, color, availability, delivery & MOQ, contact CKM
- CKM P/N: 2021WV-XXP-XX-HF

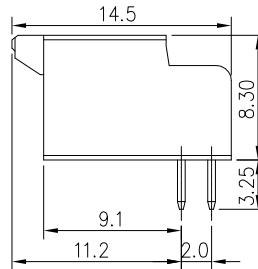
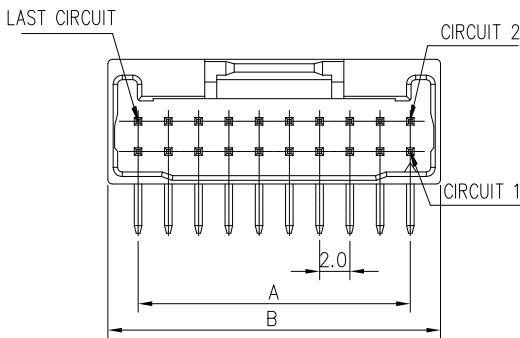
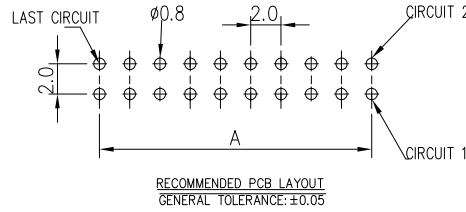
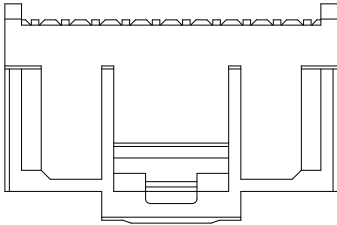


### Dimensional

POS	A	B
10	8.0	12.0
12	10.0	14.0
14	12.0	16.0
16	14.0	18.0
18	16.0	20.0
20	18.0	22.0
22	20.0	24.0
24	22.0	26.0
26	24.0	28.0
28	26.0	30.0
30	28.0	32.0
32	30.0	34.0
34	32.0	36.0
36	34.0	38.0
38	36.0	40.0
40	38.0	42.0

# Wafer Right Angle

- 2.0mm pitch right angle DIP type
- Material: Insulator: LCP, UL 94V-0  
Contact: SQ. 0.50mm brass, Tin plating
- Mates with CKM 2021 series housing
- For finish, color, availability, delivery & MOQ, contact CKM
- CKM P/N: 2021WR-XXP-XX-HF



## Dimensional

POS	A	B
10	8	12
12	10	14
14	12	16
16	14	18
18	16	20
20	18	22
22	20	24
24	22	26
26	24	28
28	26	30
30	28	32
32	30	34
34	32	36
36	34	38
38	36	40
40	38	42