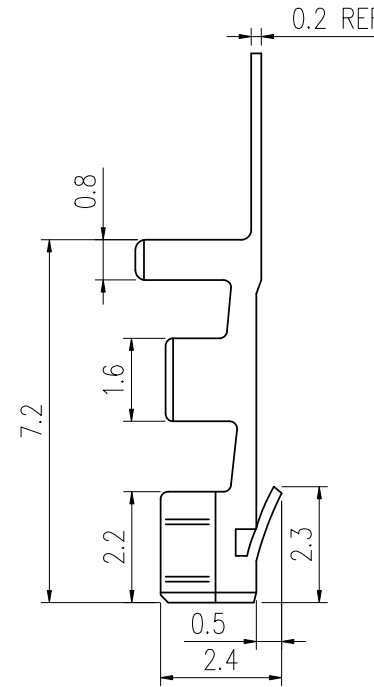
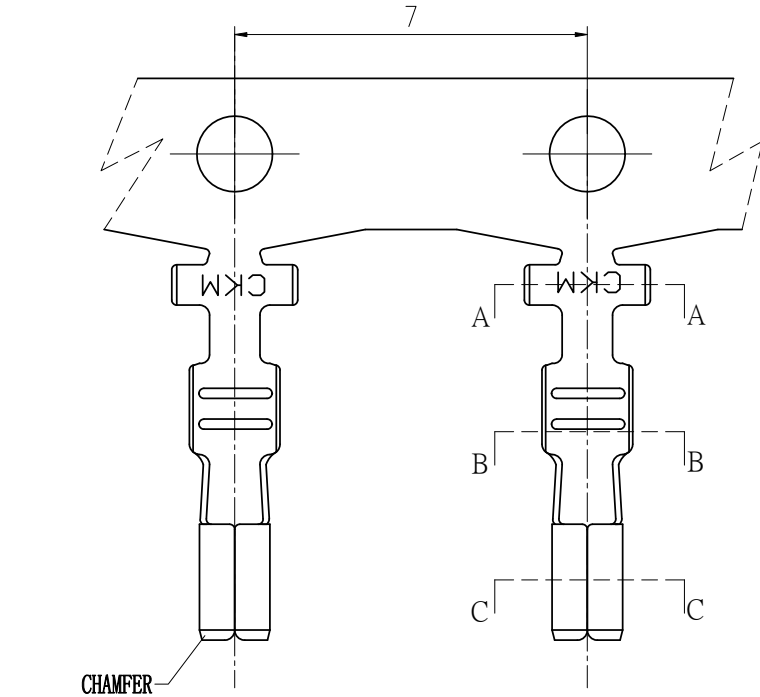


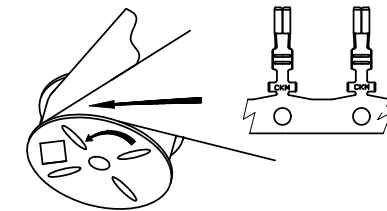
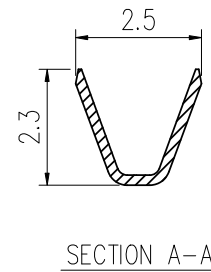
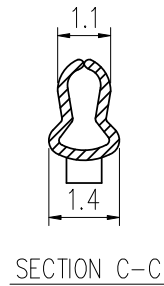
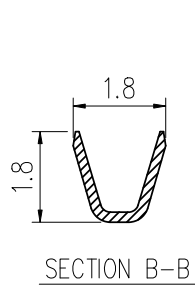
RoHS

CUST INFORMATION.

PART NO.	DRAWING NO.	REV.
----------	-------------	------



- NOTE:  
 1. TERMINAL MATERIAL: PHOSPHOR BRONZE  
 2. Plated: Tin-plated 50u"min  
 3. APPLICABLE WIRES: AWG#28~#22  
 4. INSULATION O.D.: 1.2~1.7mm  
 5. Qty/REEL: 10000PCS



DRAW INTO DIRECTION

CKM  
 2017.01.19  
 研發部

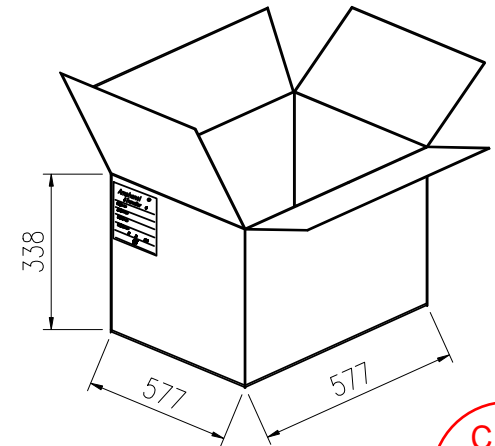
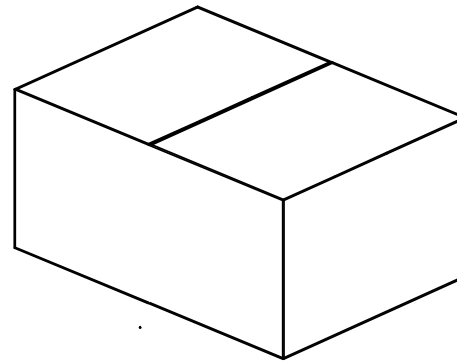
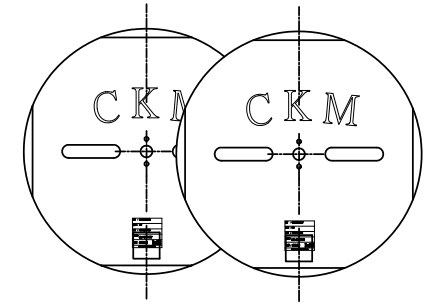
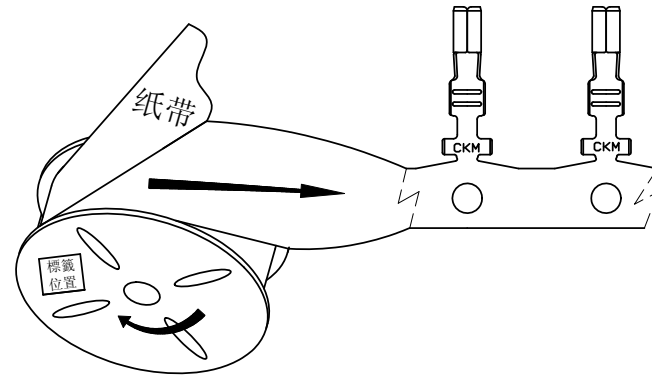
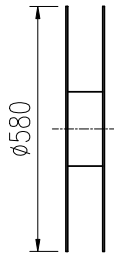
TOLERANCE		PART NO.		朝貴電子股份有限公司 CKM ELECTRONICS CO., LTD.		
X.	X.XXX ±0.10	2503TOX				
X.X	±0.30	DRAWING NO.		TITLE: CKM2503-T		
X.XX	±0.20	C-25030301-XX				
UNIT: mm		APPROVED BY	CHECKED BY	DRAWN BY	PAGE	REV.
DWG TYPE.		Angus Chen	Rock	TZQ	10F2	B
Customer Drawing		2017.01.17	2017.01.17	2017.01.17	SCALE	
					5 : 1	

B		UPDATE DRAWING	TZQ	2017.01.17
A		NEW RELEASE		2013.06.26
REV.	ECN NO	REVISION RECORD	DRAW	DATE

# RoHS

## CUST INFORMATION.

PART NO.	DRAWING NO.	REV.
----------	-------------	------



PART NO	ROLL/PCS	CARTON/PCS	GROSS WEIGHT	NET WEIGHT
2503TOX	10k PCS	120K PCS	16.0Kg	20.5Kg

**CKM**  
 2017.01.19  
 研發部

<b>TOLERANCE</b> X. X.XXX $\pm 0.10$ X.X $\pm 0.30$ X.XX $\pm 0.20$		<b>PART NO.</b> 2503TOX		朝貴電子股份有限公司 CKM ELECTRONICS CO., LTD.	
Angular $\pm 2^\circ$ 		<b>DRAWING NO.</b> C-25030301-XX			
<b>UNIT:</b> mm		<b>APPROVED BY</b> Angus Chen 2017.01.17		<b>CHECKED BY</b> Rock 2017.01.17	
<b>DWG TYPE.</b> <b>Customer Drawing</b>		<b>DRAWN BY</b> TZQ 2017.01.17		<b>PAGE</b> 20F2	
		<b>SCALE</b> 1:1		<b>REV.</b> B	

B		UPDATE DRAWING	TZQ	2017.01.17
A		NEW RELEASE		2013.06.26
REV.	ECN NO	REVISION RECORD	DRAW	DATE