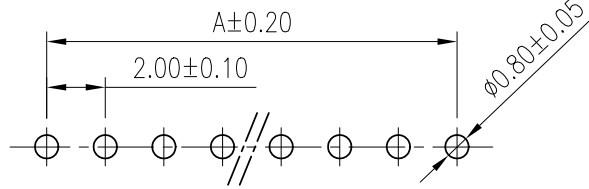
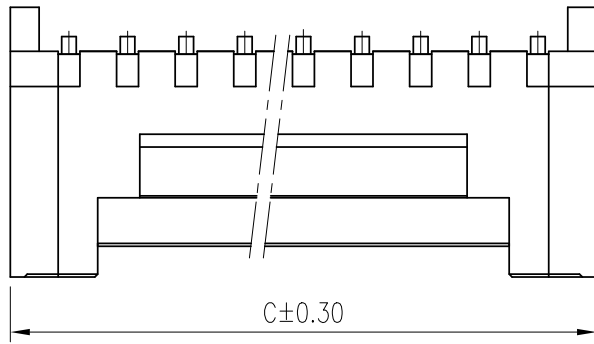


RoHS

HF



RECOMMENDED PCB LAYOUT
TOLERANCE±0.05

NOTE:

1. MATERIAL: INSULATION=NYLON 66 UL 94V-0
CONTACT=SQ 0.50mm BRASS

2. FINISH: TIN PLATING

3. RoHS & HALOGEN-FREE COMPLIANCE

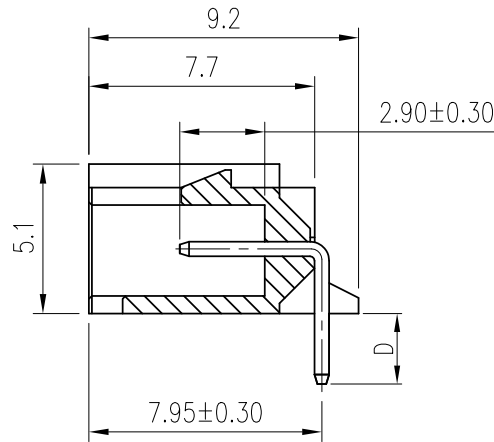
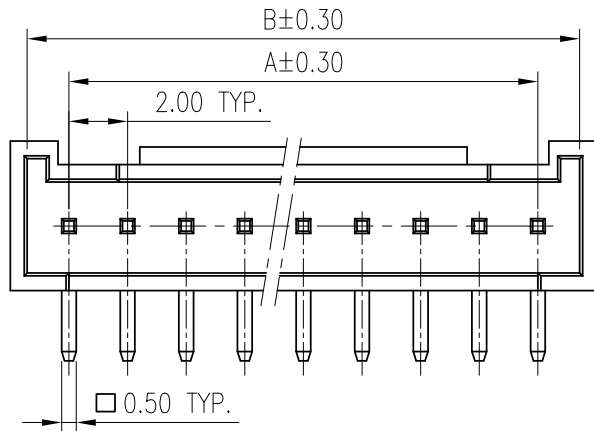
4. BILL OF PART NO:

2013WR-XP-XX-XX-HF

POS: 2~16P
FINISH: A=BRIGHT TIN PLATED

PIN LENGTH(DIM D):
Blank=3.50
2.4=2.4
COLOR: BLANK=NATURAL OR A~G

5. FOR COLOR, AVAILABILITY, DELIVERY & MOQ, CONTACT CKM
6. DIMENSIONAL



| POS | A | B | C |
|-----|-------|-------|-------|
| 2 | | 4.75 | 5.98 |
| 3 | 4.00 | 6.75 | 7.98 |
| 4 | 6.00 | 8.75 | 9.98 |
| 5 | 8.00 | 10.75 | 11.98 |
| 6 | 10.00 | 12.75 | 13.98 |
| 7 | 12.00 | 14.75 | 15.98 |
| 8 | 14.00 | 16.75 | 17.98 |
| 9 | 16.00 | 18.75 | 19.98 |
| 10 | 18.00 | 20.75 | 21.98 |
| 11 | 20.00 | 22.75 | 23.98 |
| 12 | 22.00 | 24.75 | 25.98 |
| 13 | 24.00 | 26.75 | 27.98 |
| 14 | 26.00 | 28.75 | 29.98 |
| 15 | 28.00 | 30.75 | 31.98 |
| 16 | 30.00 | 32.75 | 33.98 |

| COLOR CODE | |
|------------|---------|
| BLANK | NATURAL |
| A | BLACK |
| C | RED |
| E | YELLOW |
| F | GREEN |
| G | BLUE |

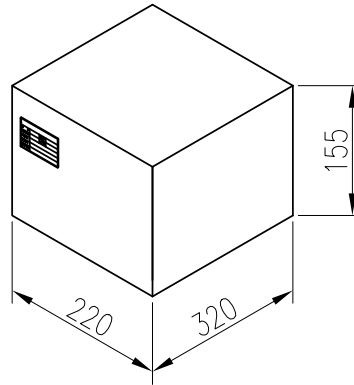
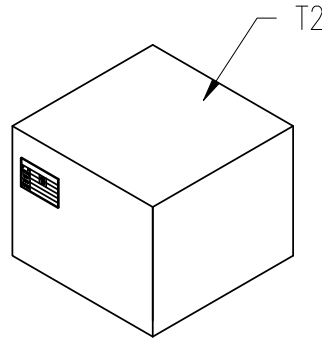
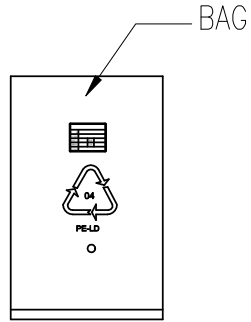
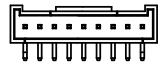


| | | | | | |
|--|--|---|---|--|--|
| TOLERANCE X. X.XXX ±0.10 X.X ±0.40 X.XX ±0.30 Angular ±2° | | PART NO. 2013WR-XP-XX-XX-HF | | 朝貴電子股份有限公司 CKM ELECTRONICS CO., LTD. | |
| | | DRAWING NO. C-2013WR-XP-XX-XX-HF | | DESCRIPTION 2.0mm PITCH RIGHT ANGLE DIP TYPE CONNECTOR | |
| DWG TYPE. Customer Drawing | | APPROVED BY Ivan Su 2022/10/19 | CHECKED BY Deliang Li 2022/10/19 | DRAWN BY Ryan 2022/10/19 | PAGE 1 OF 2 SCALE 4 : 1 |
| | | | | REV. B | |

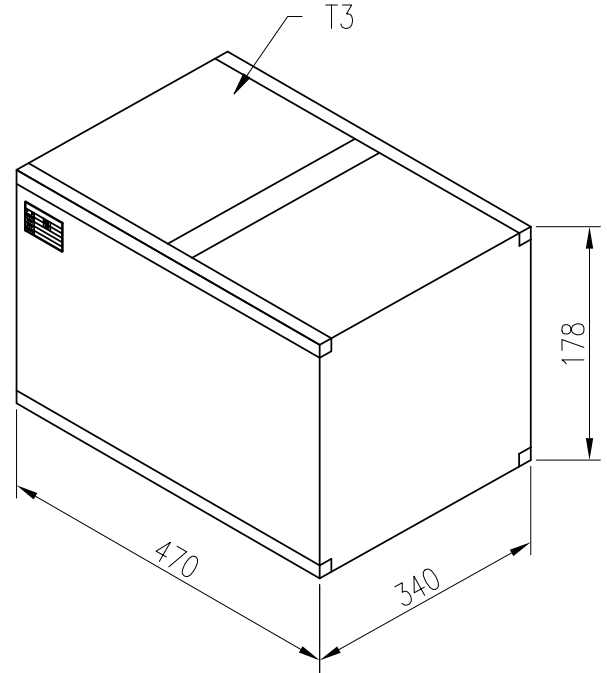
| | | | | |
|------|-------------|-------------------|-------|------------|
| B | EC-22101362 | RENEW THE DRAWING | Ryan | 2022.10.19 |
| A | | NEW RELEASE | JIMMY | 2018.12.28 |
| REV. | ECN NO | REVISION RECORD | DRAW | DATE |

RoHS

HF



2 Inner BOX



| POS | BAG | Inner BOX-T2 | Carton-T3 |
|-----|-----------|-----------------|--------------|
| | PCS / BAG | PCS / Inner BOX | PCS / Carton |
| 2 | 1000 | 15K | 30K |
| 3 | 1000 | 11K | 22K |
| 4 | 1000 | 8K | 16K |
| 5 | 1000 | 7K | 14K |
| 6 | 1000 | 6K | 12K |
| 7 | 1000 | 5K | 10K |
| 8 | 500 | 4.5K | 9K |
| 9 | 500 | 4K | 8K |
| 10 | 500 | 3.5K | 7K |
| 11 | 500 | 3.5K | 7K |
| 12 | 500 | 3.5K | 7K |
| 13 | 400 | 2.4K | 4.8K |
| 14 | 400 | 2.4K | 4.8K |
| 15 | 500 | 2K | 4K |
| 16 | 500 | 2K | 4K |



| | | | | | |
|--------------------------------------|-------------|-----------------------|--------------------------|--|-------------|
| TOLERANCE | | PART NO. | | 朝貴電子股份有限公司 CKM ELECTRONICS CO., LTD. | |
| X. X.X ±0.40 | X.XXX ±0.10 | 2013WR-XP-XX-XX-HF | | | |
| X.XX ±0.30 | Angular ±2° | DRAWING NO. | | DESCRIPTION | |
| | | C-2013WR-XP-XX-XX-HF | | 2.0mm PITCH RIGHT ANGLE DIP TYPE CONNECTOR | |
| | | APPROVED BY | CHECKED BY | DRAWN BY | PAGE |
| DWG TYPE. Customer Drawing | | Ivan Su 2022/10/19 | Deliang Li 2022/10/19 | Ryan 2022/10/19 | 2 OF 2 |
| | | | | SCALE | |
| | | | | 4 : 1 | |
| | | | | REV. | |
| | | | | B | |

| | | | | |
|-------------|---------------|------------------------|-------------|-------------|
| B | EC-22101362 | RENEW THE DRAWING | Ryan | 2022.10.19 |
| A | | NEW RELEASE | JIMMY | 2018.12.28 |
| REV. | ECN NO | REVISION RECORD | DRAW | DATE |