

## Specifications:

Circuit	2~16 Poles
Pitch between poles	2.0mm
Rated Voltage	125V AC,DC
Rated Current	2A (AWG #24)
Withstand Voltage	500V AC/minute
Contact Resistance	20mΩ Max.
Insulation Resistance	1000MΩ Min.
Temperature Range	-25°~+85°C
Applicable Wire Range	AWG #24~#28

RoHS-Specification

Halogen-free products

## Ordering Code

① ②③ ④ ⑤⑥ ⑦  
 2013 WX -XP -XX -HF

- ① Series No.
- ② Wafer
- ③ Entry Type: WV=Vertical  
WR=Right Angle
- ④ No. of circuits: 2~16
- ⑤ Plating code: A=Matte Tin  
B=Bright Tin
- ⑥ Color Code: Blank(Natural) or X(Other)
- ⑦ HF: Halogen Free (or not)

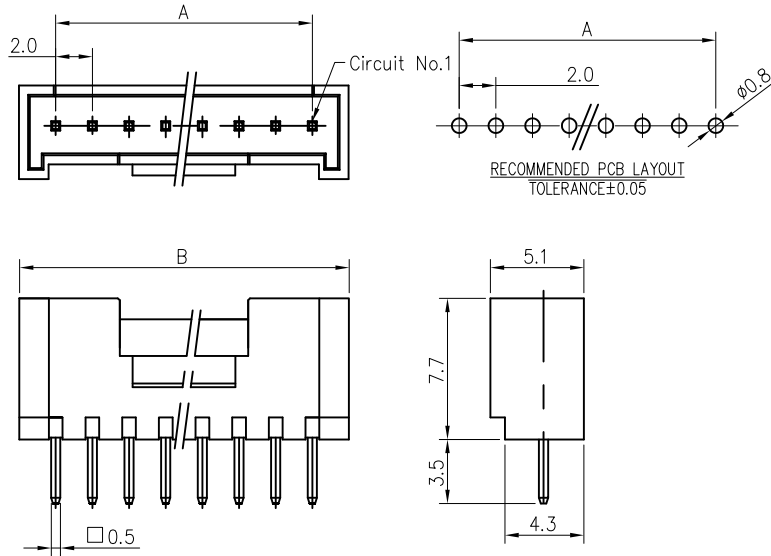
# 2013 Series

2.0mm[.079] pitch Wafer (Vertical-DIP Type)



### Features:

- \* Single Row Vertical-DIP Type Wafer
- \* Material : Insulator: Thermoplastic UL 94V-0 (Options)  
Contact Post: SQ 0.50mm Copper Alloy, Tin-plated
- \* Mates with CKM 2013 series socket
- \* CKM P/N : 2013WV-XP-XX-HF



### Dimensional & Ordering Information:

POS	Dimensions	
	A	B
2		5.98
3	4.0	7.98
4	6.0	9.98
5	8.0	11.98
6	10.0	13.98
7	12.0	15.98
8	14.0	17.98
9	16.0	19.98
10	18.0	21.98
11	20.0	23.98
12	22.0	25.98
13	24.0	27.98
14	26.0	29.98
15	28.0	31.98
16	30.0	33.98

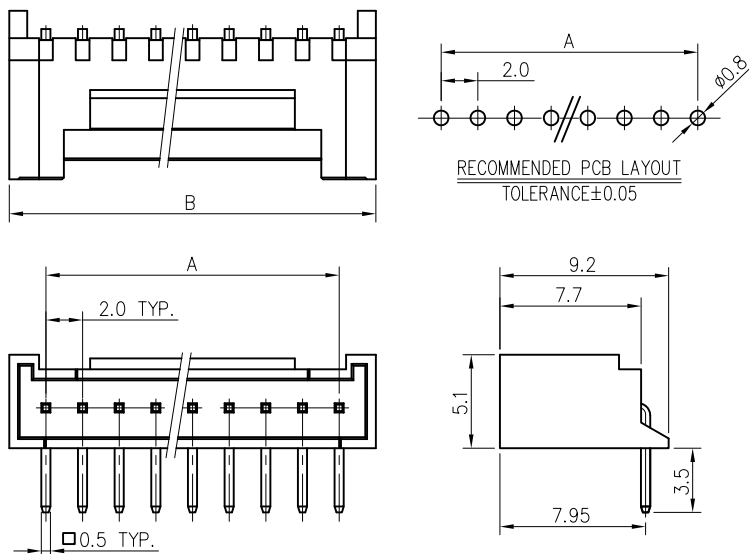
Note: X (eg. A, XX...) Designates Color, Material, identification.  
For availability, delivery and MOQ, Please contact CKM.

# 2013 Series

2.0mm[.079] pitch Wafer (Right Angle-DIP Type)

### Features:

- \* Single Row Right Angle-DIP Type Wafer
- \* Material : Insulator: Thermoplastic UL 94V-0 (Options)  
Contact Post: SQ 0.50mm Copper Alloy, Tin-plated
- \* Mates with CKM 2013 series socket
- \* CKM P/N : 2013WR-XP-XX-HF



### Dimensional & Ordering Information:

POS	Dimensions	
	A	B
2		5.98
3	4.0	7.98
4	6.0	9.98
5	8.0	11.98
6	10.0	13.98
7	12.0	15.98
8	14.0	17.98
9	16.0	19.98
10	18.0	21.98
11	20.0	23.98
12	22.0	25.98
13	24.0	27.98
14	26.0	29.98
15	28.0	31.98
16	30.0	33.98

Note: X (eg. A, XX...) Designates Color, Material, identification.  
For availability, delivery and MOQ, Please contact CKM.