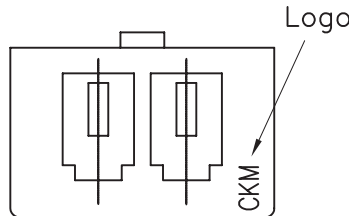
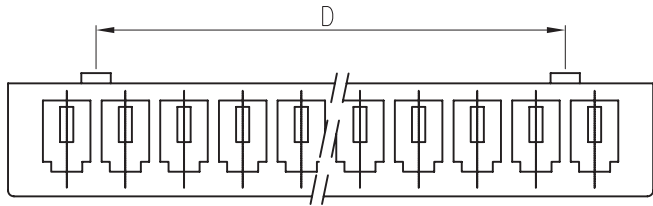


# Proposal Drawing

RoHS

HF

A



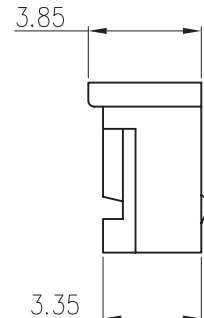
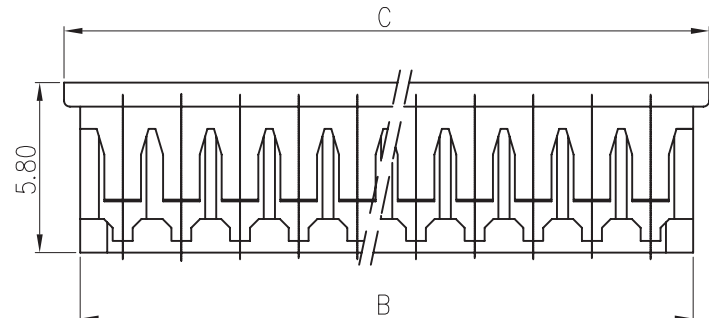
ONLY 2P

NOTE:

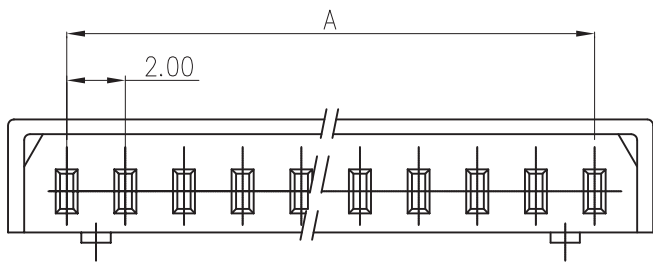
1. MATERIAL : PA66, UL 94V-0, COLOR: OPTIONS
2. RoHS COMPLIANT.
3. BILL OF PART NO:  
2006H-XP-X-HF-XX

NO OF CIRCUITS: 2~15  
 COLOR: BLACK(NATURAL) OR A~Z  
 BLANK=W/ LOGO  
 NS=W/O LOGO

B



C



POS	A	B	C	D
02	2.00	4.9	6.0	0.0
03	4.00	6.9	8.0	2.0
04	6.00	8.9	10.0	4.0
05	8.00	10.9	12.0	6.0
06	10.00	12.9	14.0	8.0
07	12.00	14.9	16.0	10.0
08	14.00	16.9	18.0	12.0
09	16.00	18.9	20.0	14.0
10	18.00	20.9	22.0	16.0
11	20.00	22.9	24.0	18.0
12	22.00	24.9	26.0	20.0
13	24.00	26.9	28.0	22.0
14	26.00	28.9	30.0	24.0
15	28.00	30.9	32.0	26.0



D

<b>TOLERANCE</b>		<b>PART NO.</b>		<b>朝貴電子股份有限公司</b>	
X. ±0.50	X.XXX ±0.15	2006H-XP-X-HF-XX		CKM ELECTRONICS CO., LTD.	
X.X ±0.35	Angular ±5°	<b>DRAWING NO.</b>		<b>DESCRIPTION</b>	
X.XX ±0.25		C-200601XX-XX		2006 SINGLE HOUSING	
		<b>UNIT:</b>	<b>APPROVED BY</b>	<b>CHECKED BY</b>	<b>DRAWN BY</b>
		mm	Angus.Chen	Lance Cheng	Shawn Hsiung
<b>DWG TYPE.</b>					
Customer Drawing		2024.03.21		2024.03.21	
			<b>PAGE</b>		<b>REV.</b>
			1 OF 2		B1
			<b>SCALE</b>		
			4: 1		

B1		UPDATE DRAWING	Shawn	2024/03/21
B		ADD PACKAGE	Li Song	2016/12/26
REV.	ECN NO	REVISION RECORD	DRAW	DATE

Proposal Drawing

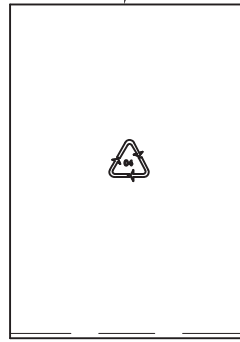
RoHS

HF

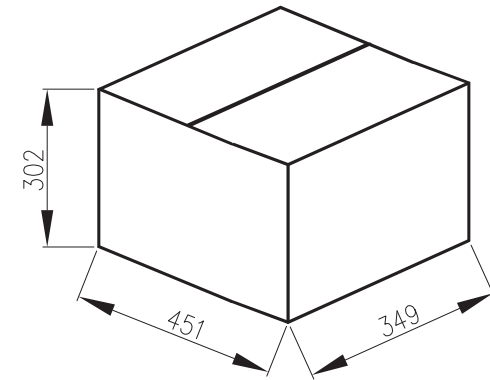
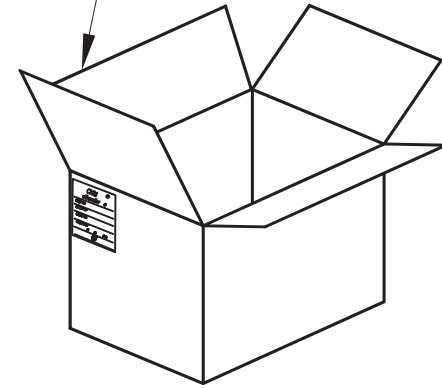
PRODUCT



PE BAG



CARTON



POS	PCS/PE BAG	PCS/CARTON
2	1000	90000
3		80000
4		70000
5		60000
6		55000
7		50000
8		45000
9		40000
10		35000
11		32000
12		30000
13		30000
14		28000
15		28000

CKM  
2024.03.21  
研發部

<b>TOLERANCE</b>		<b>PART NO.</b>		<b>朝貴電子股份有限公司</b>	
X. ±0.50	X.XXX ±0.15	2006H-XP-X-HF-XX		CKM ELECTRONICS CO., LTD.	
X.X ±0.35		<b>DRAWING NO.</b>		<b>DESCRIPTION</b>	
X.XX ±0.25	Angular ±5°	C-200601XX-XX		2006 SINGLE HOUSING	
		<b>UNIT:</b>	<b>APPROVED BY</b>	<b>CHECKED BY</b>	<b>DRAWN BY</b>
		mm	Angus.Chen	Lance Cheng	Shawn Hsiung
<b>DWG TYPE.</b>					<b>PAGE</b>
Customer Drawing		2024.03.21		2024.03.21	2 OF 2
					<b>SCALE</b>
					4: 1
					<b>REV.</b>
					B1

B1		UPDATE DRAWING	Shawn	2024/03/21
B		ADD PACKAGE	Li Song	2016/12/26
<b>REV.</b>	<b>ECN NO</b>	<b>REVISION RECORD</b>	<b>DRAW</b>	<b>DATE</b>