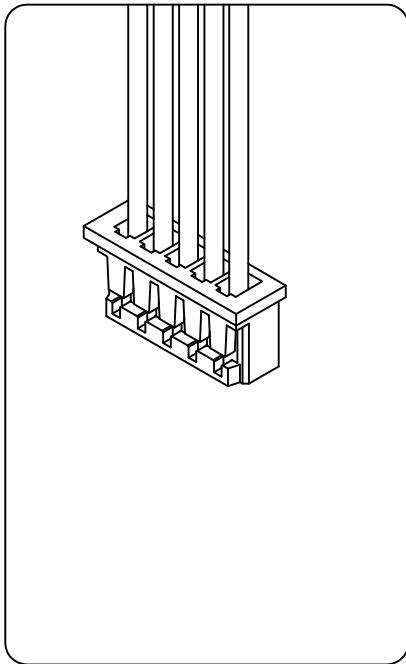


2006 Series

2.00mm[.079] pitch Wire to Board Connector



Specifications:

Circuit	2~15 Poles
Pitch between poles	2.0mm
Rated Voltage	100V AC,DC
Rated Current	2A (AWG #24)
Withstand Voltage	500V AC/minute
Contact Resistance	30mΩ Max.
Insulation Resistance	500MΩ Min.
Temperature Range	-25°~+85°C
Applicable Wire Range	AWG #24~#32

RoHS-Specification

Halogen-free products

Ordering Code

① ② ③ ④ ⑤
2006 H -XP -X -HF

- ① Series No.
- ② Housing
- ③ No. of circuits: 2~15
- ④ Color Code: Blank(Natural) or A(Black)
- ⑤ HF: Halogen Free (or not)

① ② ③④ ⑤
2006 T -0P -XX

- ① Series No.
- ② Terminal
- ③ Crimp Type: 0=Standart Type
- ④ Material: Phosphor bronze
- ⑤ Plated Code: B1=Per-Tin Plated
B2=Post-Tin Plated

Note: * (eg. A, B, X...) designates Plated thickness identification.
 For availability, delivery, color and MOQ, contact CKM.

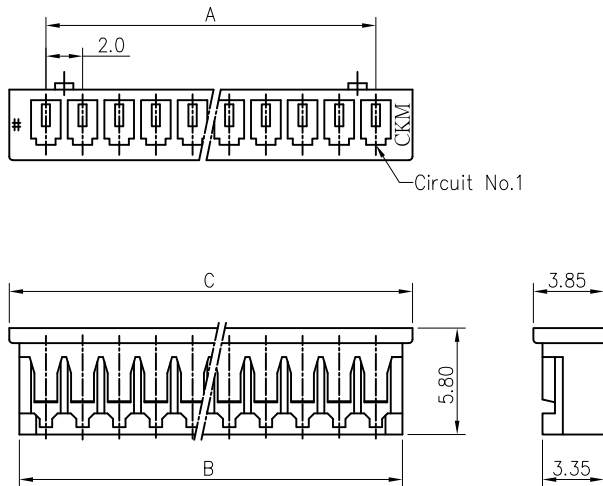
2006 Series

2.00mm[.079] pitch Crimp Terminal Socket



Features:

- * Single Row Terminal Socket
- * Material : Thermoplastic, UL 94V-0 (Options)
- * Suitable for CKM 2006 series terminal
- * CKM P/N : 2006H-XP-X-HF



Dimensional & Ordering Information:

POS	Dimensions		
	A	B	C
2		4.9	6.0
3	4.0	6.9	8.0
4	6.0	8.9	10.0
5	8.0	10.9	12.0
6	10.0	12.9	14.0
7	12.0	14.9	16.0
8	14.0	16.9	18.0
9	16.0	18.9	20.0
10	18.0	20.9	22.0
11	20.0	22.9	24.0
12	22.0	24.9	26.0
13	24.0	26.9	28.0
14	26.0	28.9	30.0
15	28.0	30.9	32.0

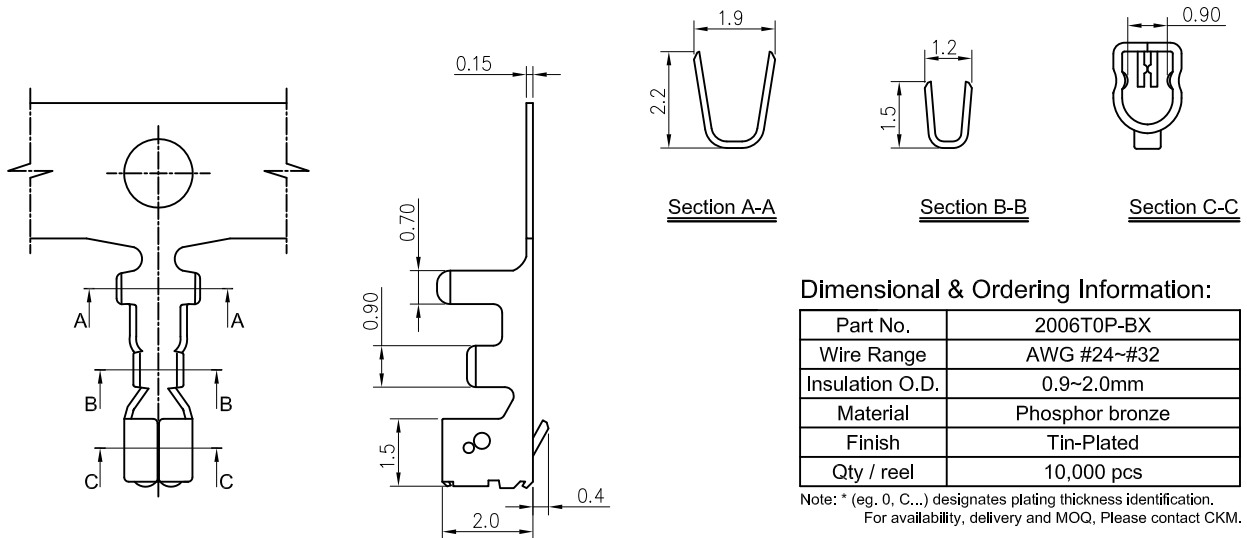
Note: X (eg. A, XX...) Designates Color, Material, identification.
For availability, delivery and MOQ, Please contact CKM.

2006 Series

2.00mm[.079] pitch Crimp Terminal

Features:

- * Used in CKM 2006 series socket
- * Material : 0.15mm thick Phosphor bronze, Tin plated
- * CKM P/N : 2006T0P-BX



Dimensional & Ordering Information:

Part No.	2006T0P-BX
Wire Range	AWG #24~#32
Insulation O.D.	0.9~2.0mm
Material	Phosphor bronze
Finish	Tin-Plated
Qty / reel	10,000 pcs

Note: * (eg. 0, C...) designates plating thickness identification.
For availability, delivery and MOQ, Please contact CKM.