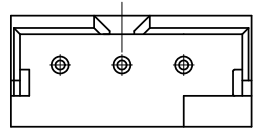
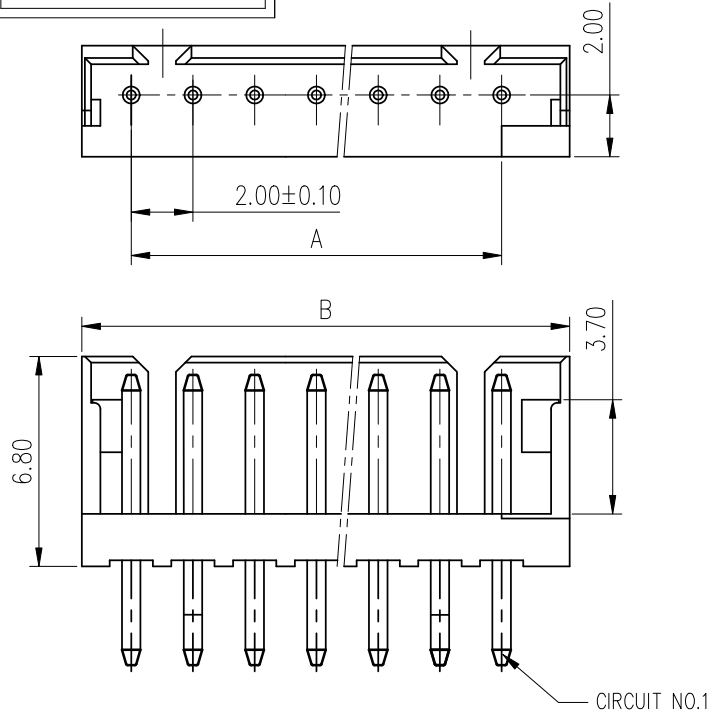
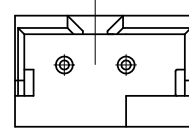


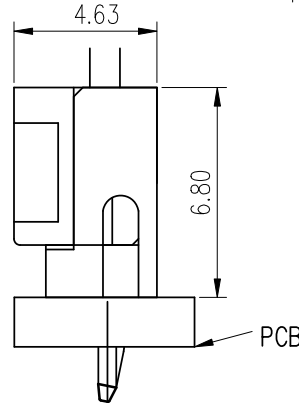
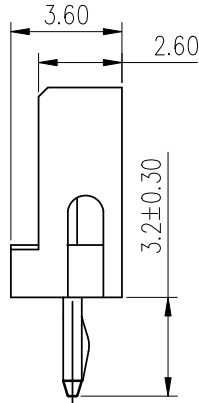
RoHS



ONLY 3 CIRCUITS



ONLY 2 CIRCUITS



ASSEMBLY LAYOUT
SIDE ENTRY TYPE

NOTE:

1. MATERIAL: INSULATION=NYLON 66 UL 94V-0
2. CONTACT: SQ 0.5mm COPPER ALLOY
3. FINISH: TIN PLATED
4. RoHS COMPLIANT.
5. BILL OF PART NO:

2005WV-XP-X X-HF

No OF CIRCUITS: 2~15

FINISH

A=MATTE TIN PLATED
B=BRIGHT TIN PLATED

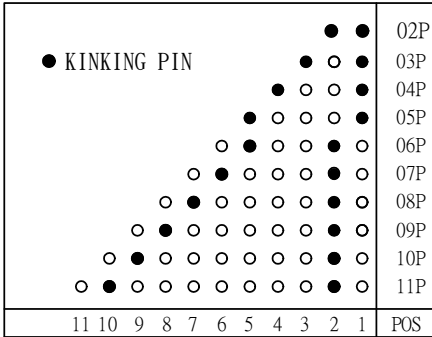
6. DIMENSIONAL

POS	A	B
2	2.00±0.15	5.8
3	4.00±0.15	7.8
4	6.00±0.15	9.8
5	8.00±0.15	11.8
6	10.00±0.20	13.8
7	12.00±0.20	15.8
8	14.00±0.20	17.8
9	16.00±0.20	19.8
10	18.00±0.25	21.8
11	20.00±0.25	23.8
12	22.00±0.25	25.8
13	24.00±0.25	27.8
14	26.00±0.25	29.8
15	28.00±0.25	31.8

HF=HALOGEN FREE

COLOR: BLANK=NATURAL

A=BLACK; B=BROWN
C=RED; D=ORANGE
E=YELLOW; F=GREEN
G=BLUE; H=PURPLE;
J=GREY K=WHITE;
M=MILKY YELLOW
Q=BRICK RED;
U=MILKY WHITE



2P-11P KINKING PIN

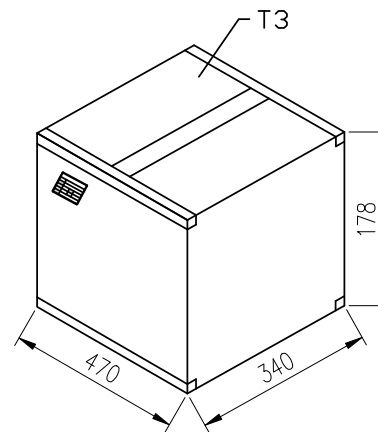
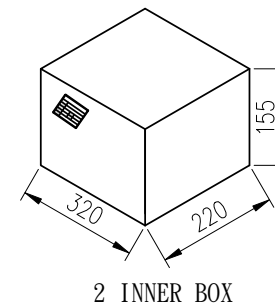
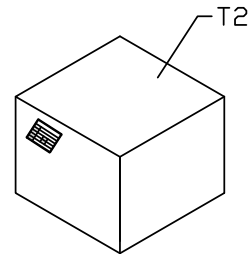
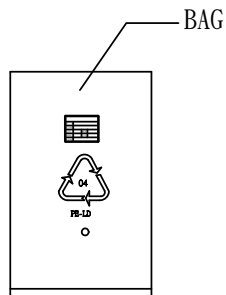
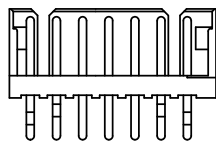


B		UPDATE DRAWING	WINNER	2017.04.19
A		NEW RELEASE	WINNER	2013.11.25
REV.	ECN NO	REVISION RECORD	DRAW	DATE

TOLERANCE X. X.X ±0.30 X.XX ±0.20		X.XXX ±0.10 Angular ±2°		PART NO. 2005WV-XP-XX-HF		朝貴電子股份有限公司 CKM ELECTRONICS CO., LTD.	
		UNIT: mm		DRAWING NO. C-200502XX-XX		DESCRIPTION 2.0mm PITCH VERTICAL DIP TYPE CONNECTOR	
DWG TYPE. Customer Drawing		APPROVED BY AUGUS 2017.04.19		CHECKED BY AUGUS 2017.04.19		DRAWN BY WINNER 2017.04.19	
				PAGE 1 OF 3		REV. B	
				SCALE 5 : 1			

1 RoHS

2 HF



POS	BAG	INNER BOX-T2	CARTON-T3	WEIGHT(Kg)	
	PCS/BAG	PCS/INNER BOX	PCS/CARTON	NET WEIGHT	ROUGH WEIGHT
2	1000	25.0K	50.0K	5.2	6.54
3	1000	20.0K	40.0K	6.0	7.4
4	1000	20.0K	40.0K	6.62	8.0
5	1000	15.0K	30.0K	7.89	9.25
6	1000	14.0K	28.0K	7.7	9.1
7	1000	12.0K	24.0K	6.89	8.82
8	1000	11.0K	22.0K	6.82	8.73
9	1000	10.0K	20.0K	6.6	8.51
10	1000	10.0K	20.0K	7.0	8.91
11	1000	9.0K	18.0K	8.78	10.08
12	1000	8.0K	16.0K	8.48	8.93
13	1000	6.0K	12.0K	6.87	8.51
14	1000	5.0K	10.0K	6.15	8.05
15	1000	5.0K	10.0K	6.57	8.47

CKM
2017.04.21
研發部

TOLERANCE		PART NO.		朝貴電子股份有限公司	
X.	X.XXX ±0.10	2005WV-XP-XX-HF		CKM ELECTRONICS CO., LTD.	
X.X	±0.30	DRAWING NO.		DESCRIPTION 2.0mm PITCH VERTICAL	
X.XX	±0.20	C-200502XX-XX		DIP TYPE CONNECTOR	
UNIT: mm		APPROVED BY	CHECKED BY	DRAWN BY	PAGE
DWG TYPE.		AUGUS	AUGUS	WINNER	3 OF 3
Customer Drawing		2017.04.19	2017.04.19	2017.04.19	SCALE
					4 : 1
					REV. B

B	UPDATE DRAWING	WINNER	2017.04.19
A	NEW RELEASE	WINNER	2013.11.25
REV.	ECN NO	REVISION RECORD	DRAW DATE