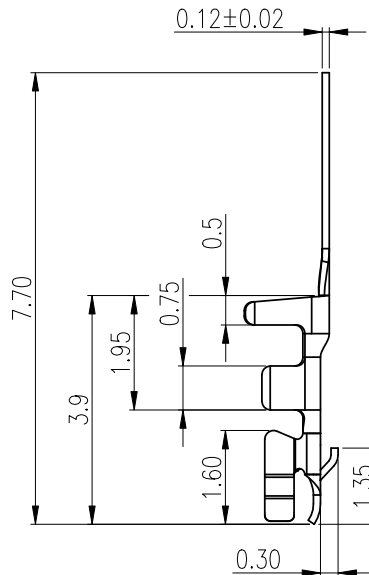
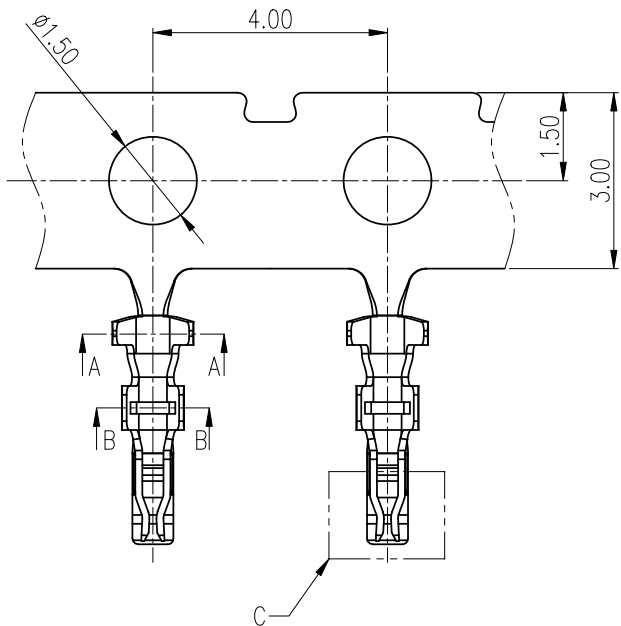
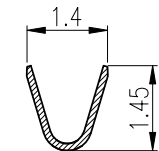
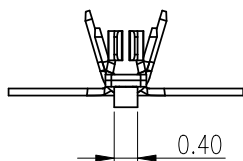


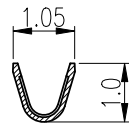
RoHS



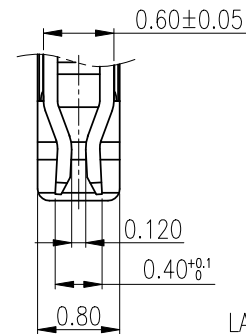
NOTES:  
 1.MATERIAL:  
 TERMINAL:PHOSPHOR BRONZE.  
 2.FINISH:TIN(BRIGHT) PLATING.  
 3.TERMINAL Q'T/REEL: 20,000 PCS.  
 4.APPLICABLE WIRES:AWG#28~AWG#32,  
 INSULATOR O.D.: 0.65~0.92mm.



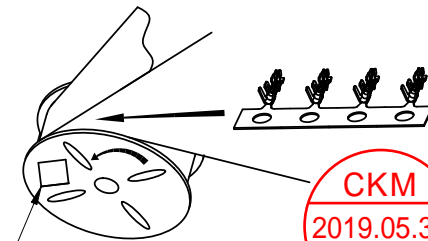
SECTION A-A



SECTION B-B



DETAIL C  
 SCALE: 15/1



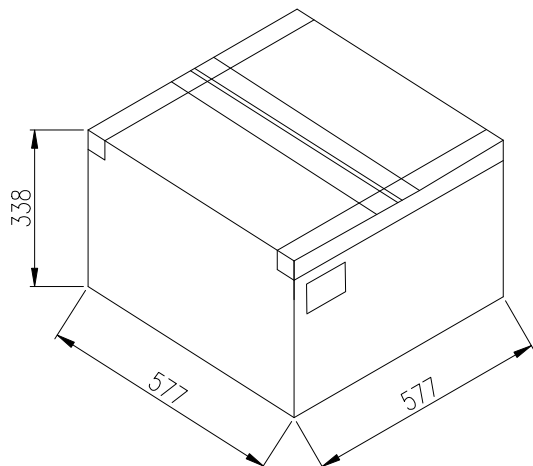
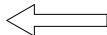
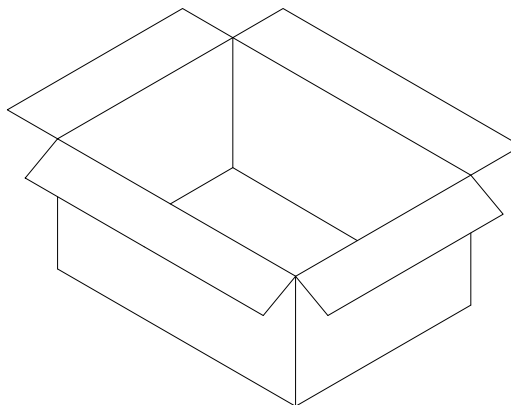
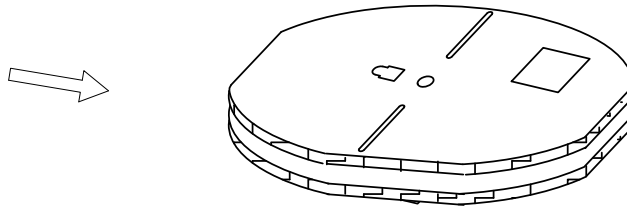
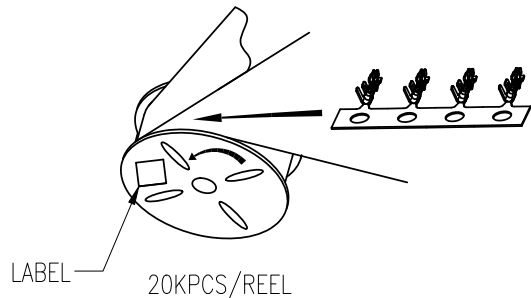
CKM  
 2019.05.31  
 研发部

DRAW INTO DIRECTION

|      |             |                      |      |            |
|------|-------------|----------------------|------|------------|
| D    | EC-19030220 | UPGRADE DRAWING      | Rock | 2019.03.29 |
| C    |             | ADDS PACKING DIAGRAM | Rock | 2016.12.28 |
| B    |             | UPGRADE DRAWING      | Rock | 2015.11.04 |
| REV. | ECN NO      | REVISION RECORD      | DRAW | DATE       |

|  |  |  |  |   |   |
|--|--|--|--|---|---|
| <b>TOLERANCE</b><br>X. X.XXX ±0.10<br>X.X ±0.30<br>X.XX ±0.20<br>Angular ±2° |  | <b>PART NO.</b><br>A1004TOP-2                  |  | 朝貴電子股份有限公司<br>CKM ELECTRONICS CO., LTD.         |   |
|  |  | <b>DRAWING NO.</b><br>C-A1004TOP-2             |  | <b>DESCRIPTION</b><br>WTB 1.00mm PITCH TERMINAL |   |
| <b>DWG TYPE.</b><br>Customer Drawing   |  | <b>APPROVED BY</b><br>Angus.Chen<br>2019.03.20 | <b>CHECKED BY</b><br>Sun.Lee<br>2019.03.20 | <b>DRAWN BY</b><br>Rock<br>2019.03.20           | <b>PAGE</b><br>1 OF 2<br><br><b>SCALE</b><br>10 : 1 |
|  |  |  |  | <b>REV.</b><br>D                                |   |

RoHS



| PART NO.   | PCS/REEL | PCS/CARTON | NET WEIGHT (KG) | CROSS WEIGHT (KG) |
|------------|----------|------------|-----------------|-------------------|
| A1004TOP-2 | 20K      | 240K       | 4.32            | 13.08             |

|  |  |  |  |   |   |
|--|--|--|--|---|---|
| <b>TOLERANCE</b><br>X. X.XXX ±0.10<br>X.X ±0.30<br>X.XX ±0.20<br>Angular ±2° |  | <b>PART NO.</b><br>A1004TOP-2                  |  | 朝貴電子股份有限公司<br>CKM ELECTRONICS CO., LTD.                 |   |
| <b>UNIT:</b><br>mm   |  | <b>DRAWING NO.</b><br>C-A1004TOP-2             |  | <b>DESCRIPTION</b><br>WTB 1.00mm PITCH TERMINAL PACKING |   |
| <b>DWG TYPE.</b><br>Customer Drawing   |  | <b>APPROVED BY</b><br>Angus.Chen<br>2019.03.20 | <b>CHECKED BY</b><br>Sun.Lee<br>2019.03.20 | <b>DRAWN BY</b><br>Rock<br>2019.03.20                   | <b>PAGE</b><br>2 OF 2<br><br><b>SCALE</b><br>10 : 1 |
|  |  |  |  |   | <b>REV.</b><br>D                                    |

| REV. | ECN NO      | REVISION RECORD      | DRAW | DATE       |
|------|-------------|----------------------|------|------------|
| D    | EC-19030220 | UPGRADE DRAWING      | Rock | 2019.03.29 |
| C    |             | ADDS PACKING DIAGRAM | Rock | 2016.12.28 |
| B    |             | UPGRADE DRAWING      | Rock | 2015.11.04 |