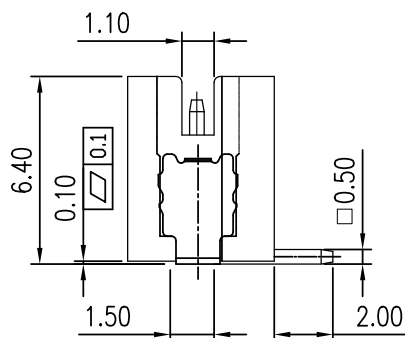
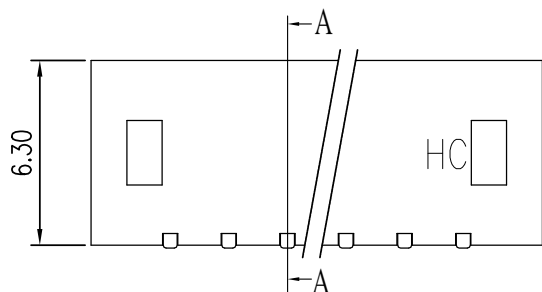
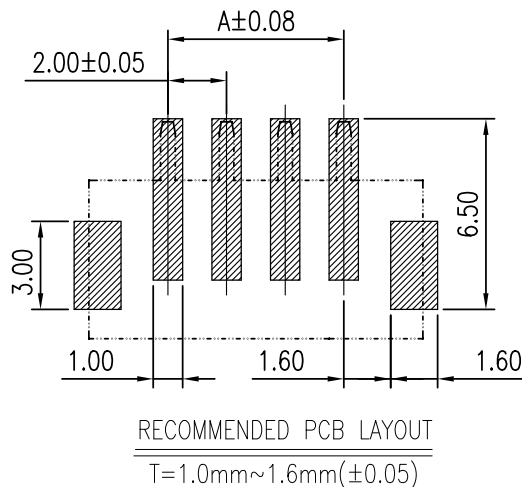
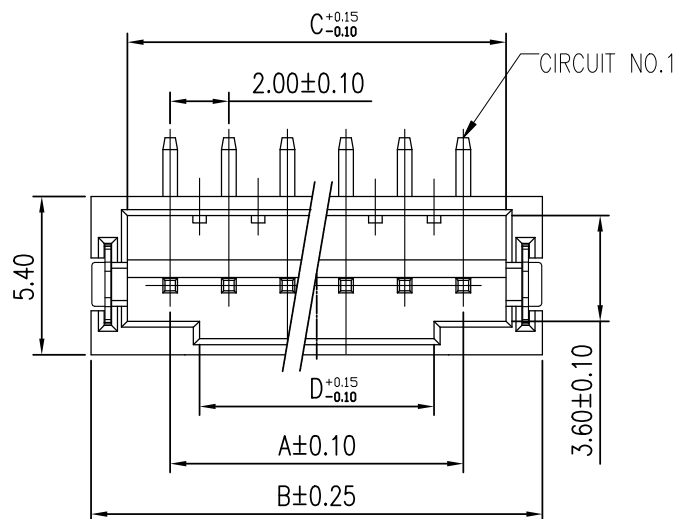


RoHS



A  
B  
C  
D

A  
B  
C  
D



- MATERIAL:
  - INSULATION: LCP, UL 94V-0
  - CONTACT: SQ. 0.50mm HIGH-CONDUCTIVITY COPPER ALLOY
  - SOLDER TAB: THICK 0.20mm BRASS
- FINISH:
  - CONTACT: MATTE TIN PLATED
  - SOLDER TAB: MATTE TIN PLATED
- BILL OF PART NO:
 

2001WVS-XP-A-LC-HC-HF

NO. OF CIRCUITS: 2~10
- FOR AVAILABILITY, DELIVERY & MOQ, CONTACT CKM
- DIMENSIONAL

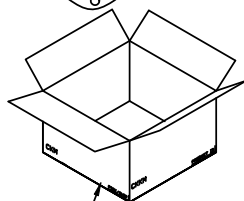
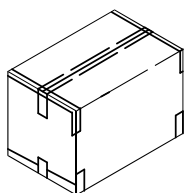
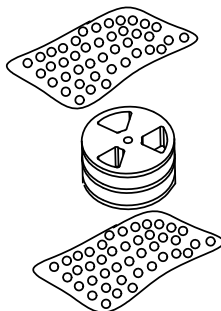
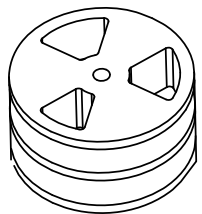
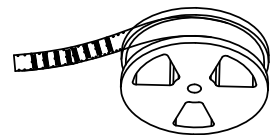
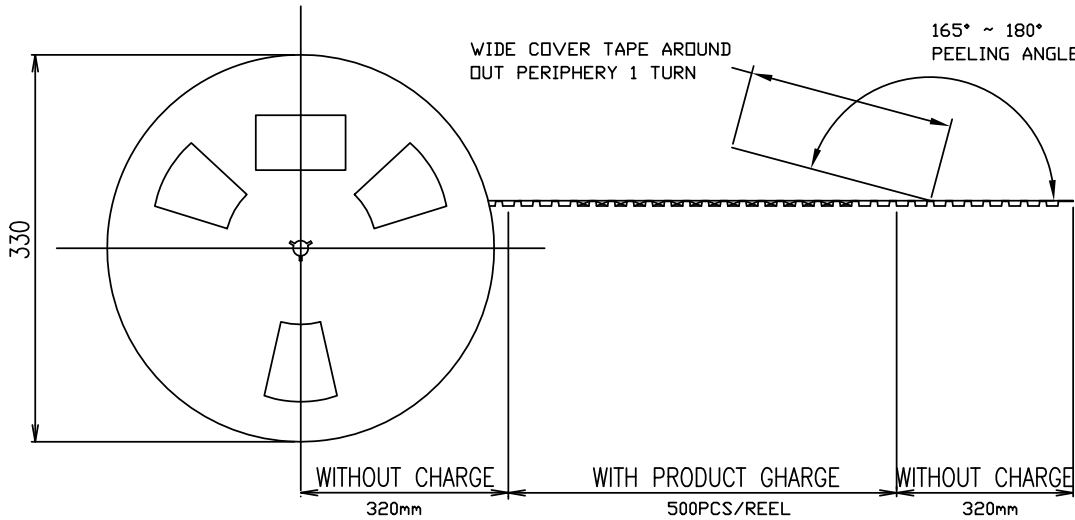
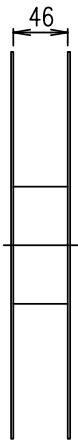
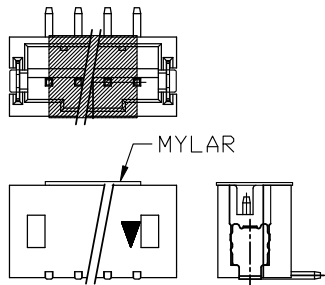
POS	A	B	C	D
2	2.00	7.40	4.90	0.60
3	4.00	9.40	6.90	2.00
4	6.00	11.40	8.90	4.00
5	8.00	13.40	10.90	6.00
6	10.00	15.40	12.90	8.00
7	12.00	17.40	14.90	10.00
8	14.00	19.40	16.90	12.00
9	16.00	21.40	18.90	14.00
10	18.00	23.40	20.90	16.00



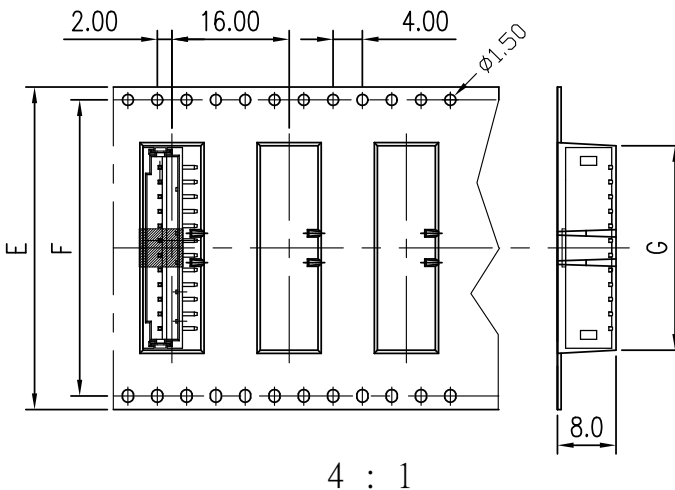
<b>TOLERANCE</b> X. X.XXX ±0.10 X.X ±0.30 X.XX ±0.20 Angular ±2°		<b>PART NO.</b> 2001WVS-XP-A-LC-HC-HF		朝貴電子股份有限公司 CKM ELECTRONICS CO., LTD.	
		<b>DRAWING NO.</b> C-2001WVS-XP-A-LC-HC-HF		<b>DESCRIPTION</b> 2.0mm PITCH VERTICAL SMT TYPE CONNECTOR	
<b>UNIT:</b> mm		<b>APPROVED BY</b> Angus Chen 2019.08.21	<b>CHECKED BY</b> Jimmy Wang 2019.08.21	<b>DRAWN BY</b> Jimmy Wang 2019.08.21	<b>PAGE</b> 1 OF 2  <b>SCALE</b> 4 : 1
<b>DWG TYPE.</b> Customer Drawing				<b>REV.</b> A	

A		NEW RELEASE	Jimmy Wang	2019.08.21
REV.	ECN NO	REVISION RECORD	DRAW	DATE

RoHS



341mm(L)\*341mm(W)\*221mm(H)



DIMENSIONAL & ORDERING INFORMATION

POS	E	F	G	PCS/REEL	PCS/CARTON
2	24.0	—	2.95	500	2500
3					2500
4					2500
5	32.0	28.4	15.9		2500
6					2500
7	44.0	40.4	28.3		2000
8					2000
9					2000
10					2000

CKM  
2019.11.19  
研发部

<b>TOLERANCE</b> X. X.XXX ±0.10 X.X ±0.30 X.XX ±0.20 Angular ±2°		<b>PART NO.</b> 2001WVS-XP-A-LC-HC-HF		朝貴電子股份有限公司 CKM ELECTRONICS CO., LTD.	
<b>UNIT:</b> mm		<b>DRAWING NO.</b> C-2001WVS-XP-A-LC-HC-HF		<b>DESCRIPTION</b> 2.0mm PITCH VERTICAL SMT TYPE CONNECTOR	
<b>DWG TYPE.</b> Customer Drawing		<b>APPROVED BY</b> Angus Chen 2019.08.27	<b>CHECKED BY</b> Jimmy Wang 2019.08.21	<b>DRAWN BY</b> Jimmy Wang 2019.08.21	<b>PAGE</b> 2 OF 2  <b>SCALE</b> 1 : 25
				<b>REV.</b> A	

A		NEW RELEASE	Jimmy Wang	2019.08.21
REV.	ECN NO	REVISION RECORD	DRAW	DATE