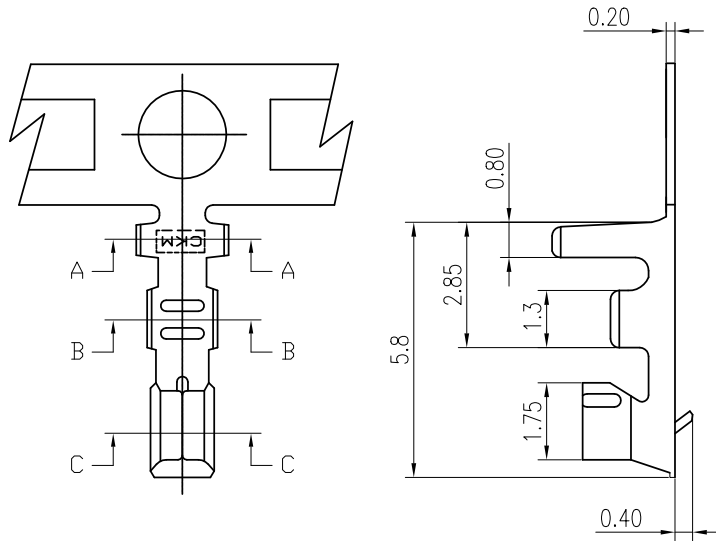


RoHS

CUST INFORMATION.

PART NO.	DRAWING NO.	REV.
----------	-------------	------



NOTE:

1. MATERIAL: 0.20mm THICK COPPER ALLOY
2. FINISH: TIN OR GOLD PLATING
3. APPLICABLE WIRES: AWG#24-#30
4. INSULATION O.D.: 0.9~1.3mm
5. RoHS COMPLIANT
6. BILL OF PART NO.



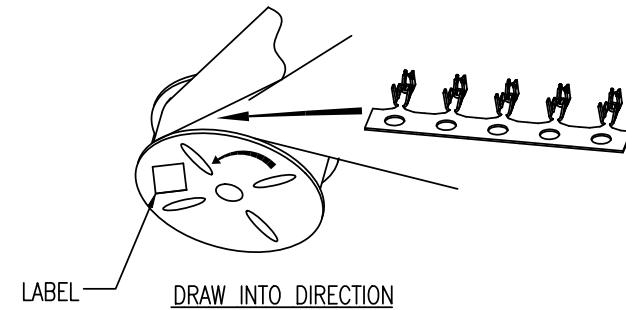
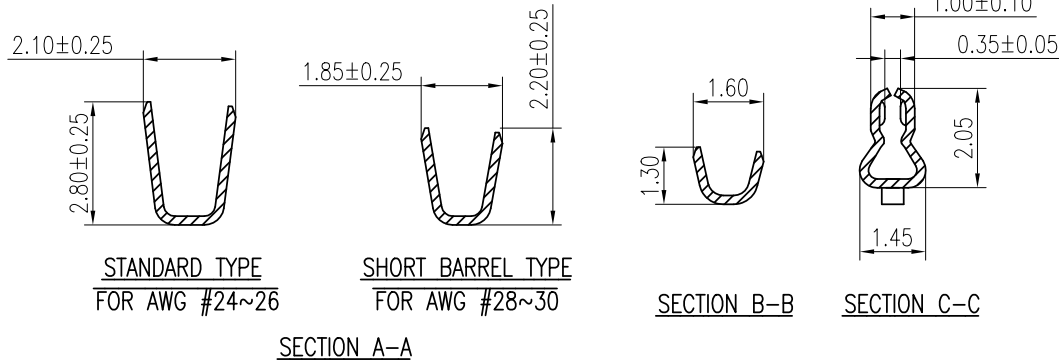
TYPE: 0=STANDARD
1=SHORT BARREL TYPE

2001TX X-XX

B1=PRE-BRIGHT TIN PLATING
B2=POST-BRIGHT TIN PLATING

MATERIAL: P=PHOSPHORBRONZE
H=HIGH CONDUCTIVITY COPPER ALLOY
(#24 & #26 ONLY)

7. Q'ty / REEL: 10,000 pcs
8. FOR MATERIAL, FINISH, AVAILABILITY, DELIVERY & MOQ, CONTACT CKM



TOLERANCE		PART NO.		朝貴電子股份有限公司 CKM ELECTRONICS CO., LTD.	
X. ±0.50	X.XXX ±0.15	2001TXX-XX			
X.X ±0.35		DRAWING NO.		TITLE: 2.0mm PITCH CRIMP TERMINAL	
X.XX ±0.25	Angular ±5°	C- 2001TXX-XX			
		APPROVED BY	CHECKED BY	DRAWN BY	PAGE
UNIT: mm		Ivan_Su	Deliang Li	Heimer	10F1
DWG TYPE.		2021/10/14	2021/10/14	2021/10/14	SCALE
Customer Drawing					1 : 1
					REV.
					B

B	EC-21101001	New Phosphor copper material number	HEIMER	2021.10.12
A		NEW RELEASE	Jimmy Wang	2021.09.09
REV.	ECN NO	REVISION RECORD	DRAW	DATE