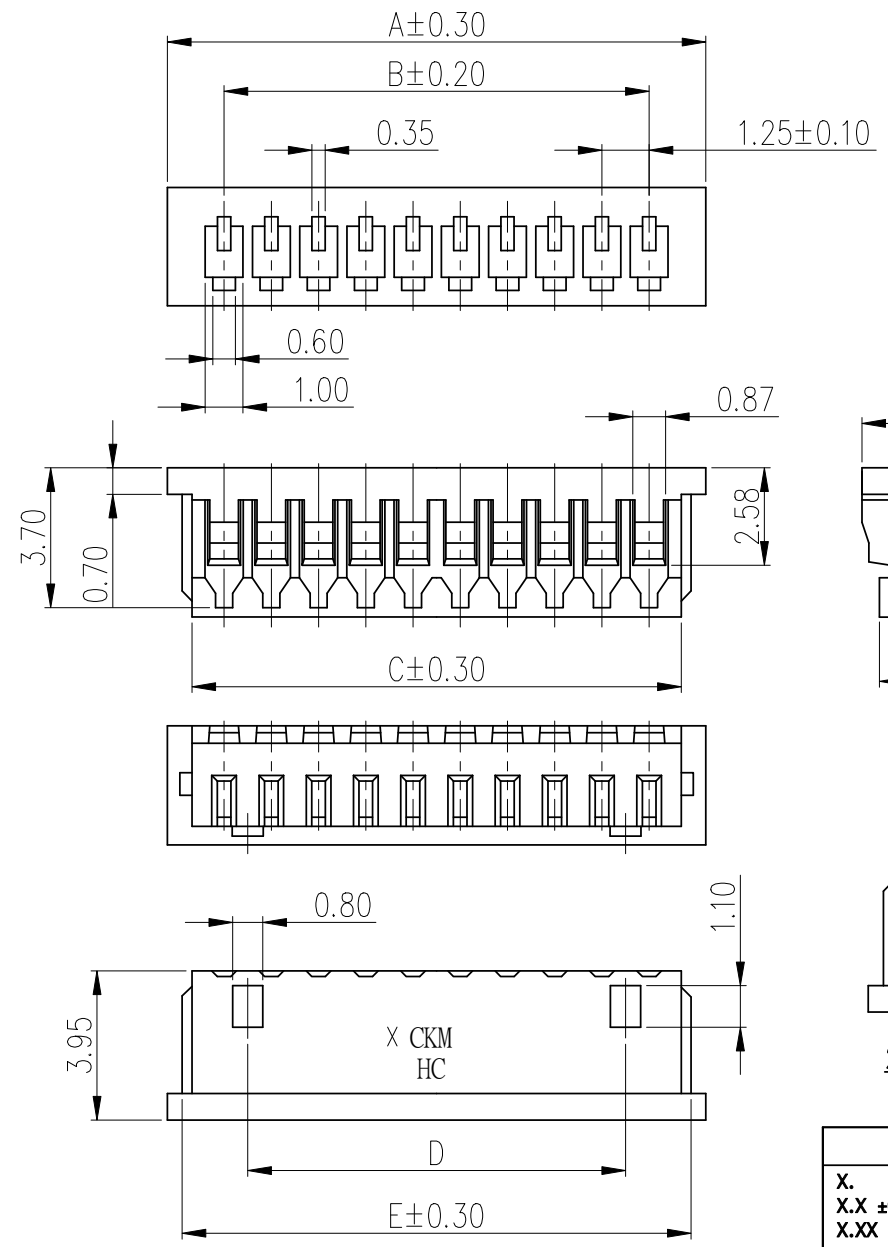


RoHS



NOTE:

1. MATERIAL: NYLON 66, UL 94V-0.
2. RoHS & HALOGEN FREE COMPLIANCE
3. BILL OF PART NO:

1251H-XP-X-HC-HF

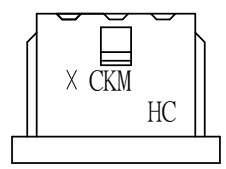
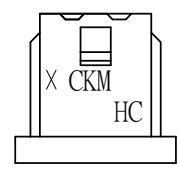
NO OF CIRCUITS: 2~20

HIGH CONDUCTIVITY COPPER ALLOY  
 COLOR: BLANK(NATURAL)  
 A=BLACK

4. FOR AVAILABILITY, DELIVERY & MOQ, CONTACT CKM



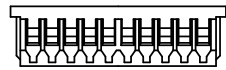
POS	A	B	C	D	E
2	4.25	/	2.95	/	3.47
3	5.50	2.50	4.20	/	4.72
4	6.75	3.75	5.45	2.5	5.97
5	8.00	5.00	6.70	3.75	7.22
6	9.25	6.25	7.95	5.00	8.47
7	10.50	7.50	9.20	6.25	9.72
8	11.75	8.75	10.45	7.50	10.97
9	13.00	10.00	11.70	8.75	12.22
10	14.25	11.25	12.95	10.00	13.47



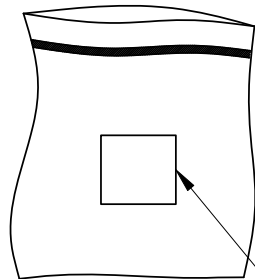
TOLERANCE		PART NO.		朝貴電子股份有限公司 CKM ELECTRONICS CO., LTD.		
X.	X.XXX $\pm 0.10$	1251H-XP-X-HC-HF				
X.X	$\pm 0.30$	DRAWING NO.		DESCRIPTION		
X.XX	$\pm 0.20$	C-1251H-XP-HC-HF		1.25mm PITCH CRIMP TERMINAL SOCKET		
UNIT: mm		APPROVED BY	CHECKED BY	DRAWN BY	PAGE	REV.
DWG TYPE.		Angus Chen	Sun.Lee	Rock	1 OF 2	C
Customer Drawing		2018.12.01	2018.12.01	2018.12.01	SCALE	
					4 : 1	

C	EC-18120033	UPGRADE DRAWING	Rock	2018.12.01
B		UPGRADE DRAWING	Rock	2018.09.10
REV.	ECN NO	REVISION RECORD	DRAW	DATE

1  
RoHS

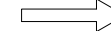
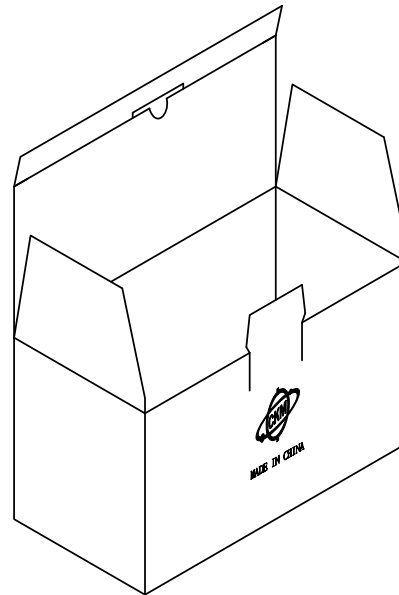
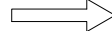


PRODUCT

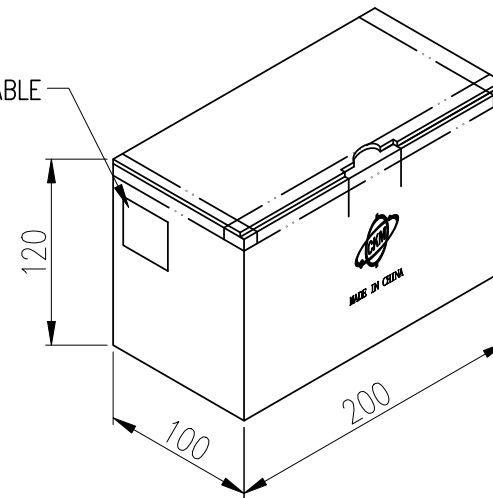


1000PCS/BAG

LABLE



LABLE



POS	PCS / BAG	PCS / CARTON	NET WEIGHT	GROSS WEIGHT
2	1000	14000	0.38	0.88
3		12000	0.43	0.93
4		10000	0.38	0.88
5		8000	0.38	0.88
6		8000	0.46	0.96
7		8000	0.54	1.04
8		6000	0.47	0.97
9		6000	0.53	1.03
10		5000	0.49	0.99

(UNIT: KG)



C	EC-18120033	UPGRADE DRAWING	Rock	2018.12.01
B		UPGRADE DRAWING	Rock	2018.09.10
REV.	ECN NO	REVISION RECORD	DRAW	DATE

TOLERANCE		PART NO.		朝貴電子股份有限公司	
X.	X.XXX ±0.10	1251H-XP-X-HC-HF		CKM ELECTRONICS CO., LTD.	
X.X ±0.30	Angular ±2°	DRAWING NO.		DESCRIPTION	
X.XX ±0.20		C-1251H-XP-HC-HF		WTB 1251 SERIES PLUG HOUSING PACKING	
UNIT: mm		APPROVED BY	CHECKED BY	DRAWN BY	PAGE
DWG TYPE.		Angus Chen	Sun.Lee	Rock	2 OF 2
Customer Drawing		2018.12.01	2018.12.01	2018.12.01	SCALE
					4 : 1
					REV. C