

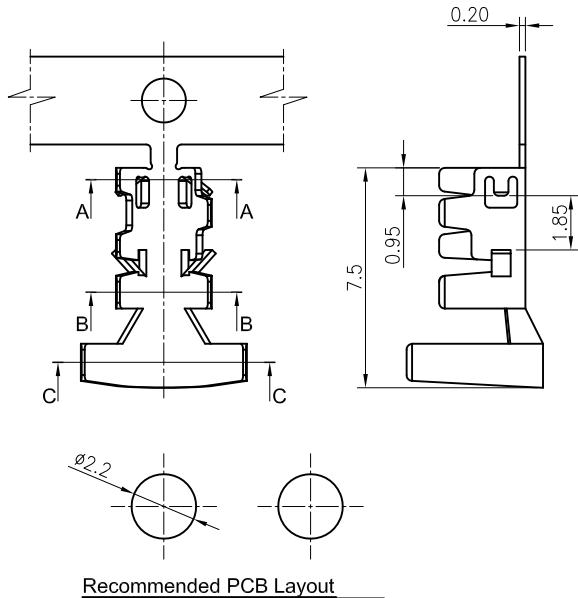
# 9956 Series

Ø2.2mm Board in Terminal



**Features:**

- \* Ø2.2mm Board in Terminal
- \* Material : 0.20mm thick Phosphor bronze
- \* Suitable for 1.60mm thick PCB
- \* CKM P/N : 99560301



Recommended PCB Layout

**Dimensional & Ordering Information:**

Part No.	99560301
Wire Range	AWG #16~#18
Insulation O.D.	3.05mm~3.75mm
Material	Phosphor bronze
Finish	Tin-Plated
Qty / reel	3,500 pcs

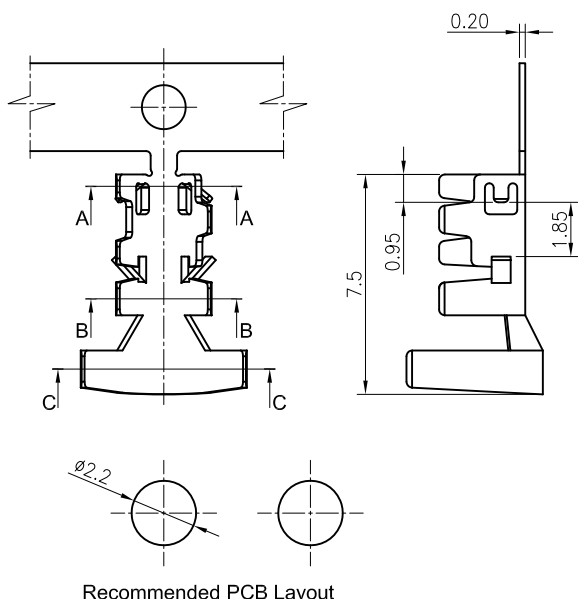
Note: \*For availability, delivery and MOQ, Please contact CKM.

# 9956 Series

Ø2.2mm Board in Terminal

**Features:**

- \* Ø2.2mm Board in Terminal
- \* Material : 0.20mm thick Phosphor bronze
- \* Suitable for 1.60mm thick PCB
- \* CKM P/N : 99560302



Recommended PCB Layout

**Dimensional & Ordering Information:**

Part No.	99560302
Wire Range	AWG #14
Insulation O.D.	3.15mm~3.75mm
Material	Phosphor bronze
Finish	Tin-Plated
Qty / reel	3,500 pcs

Note: \*For availability, delivery and MOQ, Please contact CKM.