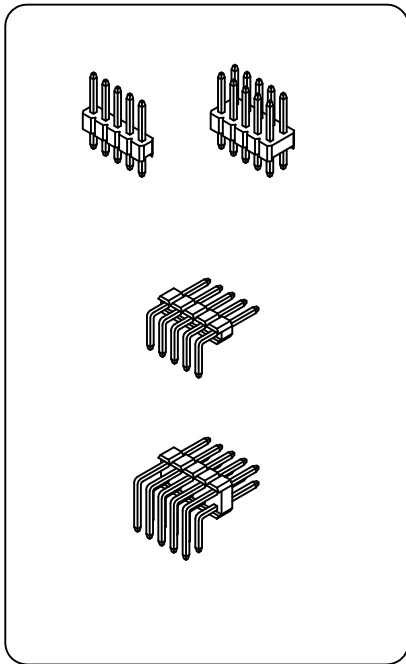


2542 Series

2.54mm[.010] pitch PIN Header Connector



Specifications:

| | |
|-----------------------|-----------------|
| Circuit | 2~80Poles |
| Pitch between poles | 2.54mm |
| Rated Voltage | 250V AC,DC |
| Rated Current | 3A(AWG #30) |
| Withstand Voltage | 1000V AC/minute |
| Contact Resistance | 20mΩ Max. |
| Insulation Resistance | 1000MΩ Min. |
| Temperature Range | -25°~+65°C |
| Applicable Wire Range | AWG #22~#28 |

UL: Recognized No. E186634

CSA: Certified No. LR110611

RoHS: Specification

HF: Halogen-free products

Assembly Layout

Vertical Type

Right Angle Type



Ordering Code

① ②③ ④ ⑤ ⑥⑦ ⑧ ⑨
2542 **WX** **-XXxXP** **-XX** **-XX** **-HF**

- ① Series No.
- ② Wafer
- ③ Entry Type: WV=Vertical
WR=Right angle
- ④ Row: 1X=Single Row, 2X=Dual Row
- ⑤ No. of circuits: 2~40
- ⑥ Plating code: C=Gold Flash Plated
- ⑦ Color Code: Blank(Natural) or A(Black)
- ⑧ Plastic: LC=LCP
- ⑨ HF: Halogen Free (or not)

Note: * (eg. A, B, X...) designates Plated thickness identification.
 For availability, delivery, color and MOQ, contact CKM.

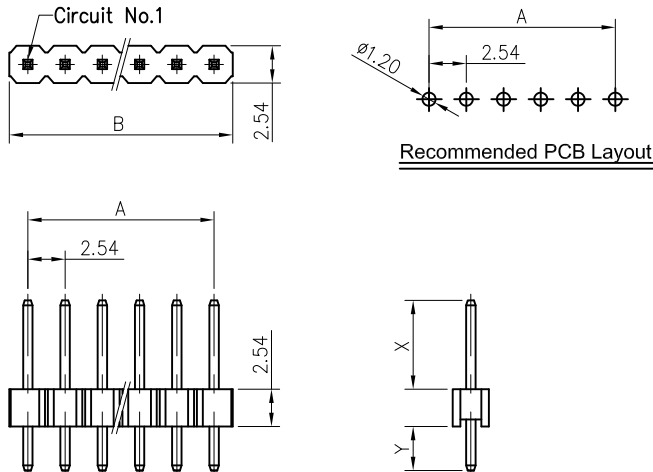
2542 Series

2.54mm[.010] pitch Wafer (Vertical Type)



Features:

- * Single Row Vertical-Type Wafer
- * Material :Insulator: Thermoplastic UL 94V-0 (Black)
Contact Post: SQ. 0.64mm Brass, Gold-plated
- * Mates with CKM 2542 series socket
- * CKM P/N : 2542WV-1XxXP-CA-LC-HF



Dimensional & Ordering Information:

| POS | Dimensions | | POS | Dimensions | |
|-----|------------|-------|-----|------------|--------|
| | A | B | | A | B |
| 2 | 2.54 | 5.08 | 22 | 53.34 | 55.88 |
| 3 | 5.08 | 7.62 | 23 | 55.88 | 58.42 |
| 4 | 7.62 | 10.16 | 24 | 58.42 | 60.96 |
| 5 | 10.16 | 12.70 | 25 | 60.96 | 63.50 |
| 6 | 12.70 | 15.24 | 26 | 63.50 | 66.04 |
| 7 | 15.24 | 17.78 | 27 | 66.04 | 68.58 |
| 8 | 17.78 | 20.32 | 28 | 68.58 | 71.12 |
| 9 | 20.32 | 22.86 | 29 | 71.12 | 73.66 |
| 10 | 22.86 | 25.40 | 30 | 73.66 | 76.20 |
| 11 | 25.40 | 27.94 | 31 | 76.20 | 78.74 |
| 12 | 27.94 | 30.48 | 32 | 78.74 | 81.28 |
| 13 | 30.48 | 33.02 | 33 | 81.28 | 83.82 |
| 14 | 33.02 | 35.56 | 34 | 83.82 | 86.36 |
| 15 | 35.56 | 38.10 | 35 | 86.36 | 88.90 |
| 16 | 38.10 | 40.64 | 36 | 88.90 | 91.44 |
| 17 | 40.64 | 43.18 | 37 | 91.44 | 93.98 |
| 18 | 43.18 | 45.72 | 38 | 93.98 | 96.52 |
| 19 | 45.72 | 48.26 | 39 | 96.52 | 99.06 |
| 20 | 48.26 | 50.80 | 40 | 99.06 | 101.60 |
| 21 | 50.80 | 53.34 | | | |

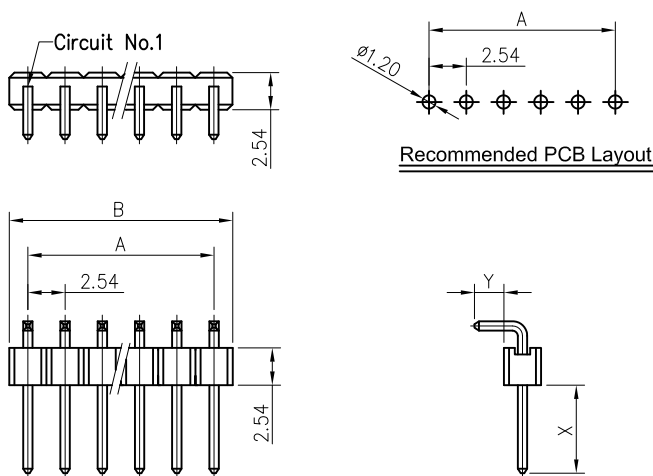
Note: X (eg. A, X, Y,...) Designates Color, Material, identification.
For availability, delivery and MOQ, Please contact CKM.

2542 Series

2.54mm[.010] pitch Wafer (Right Angle Type)

Features:

- * Single Row Right Angle Type Wafer
- * Material :Insulator: Thermoplastic UL 94V-0 (Black)
Contact Post: SQ. 0.64mm Brass, Gold-plated
- * Mates with CKM 2542 series socket
- * CKM P/N : 2542WR-1XxXP-CA-LC-HF



Dimensional & Ordering Information:

| POS | Dimensions | | POS | Dimensions | |
|-----|------------|-------|-----|------------|--------|
| | A | B | | A | B |
| 2 | 2.54 | 5.08 | 22 | 53.34 | 55.88 |
| 3 | 5.08 | 7.62 | 23 | 55.88 | 58.42 |
| 4 | 7.62 | 10.16 | 24 | 58.42 | 60.96 |
| 5 | 10.16 | 12.70 | 25 | 60.96 | 63.50 |
| 6 | 12.70 | 15.24 | 26 | 63.50 | 66.04 |
| 7 | 15.24 | 17.78 | 27 | 66.04 | 68.58 |
| 8 | 17.78 | 20.32 | 28 | 68.58 | 71.12 |
| 9 | 20.32 | 22.86 | 29 | 71.12 | 73.66 |
| 10 | 22.86 | 25.40 | 30 | 73.66 | 76.20 |
| 11 | 25.40 | 27.94 | 31 | 76.20 | 78.74 |
| 12 | 27.94 | 30.48 | 32 | 78.74 | 81.28 |
| 13 | 30.48 | 33.02 | 33 | 81.28 | 83.82 |
| 14 | 33.02 | 35.56 | 34 | 83.82 | 86.36 |
| 15 | 35.56 | 38.10 | 35 | 86.36 | 88.90 |
| 16 | 38.10 | 40.64 | 36 | 88.90 | 91.44 |
| 17 | 40.64 | 43.18 | 37 | 91.44 | 93.98 |
| 18 | 43.18 | 45.72 | 38 | 93.98 | 96.52 |
| 19 | 45.72 | 48.26 | 39 | 96.52 | 99.06 |
| 20 | 48.26 | 50.80 | 40 | 99.06 | 101.60 |
| 21 | 50.80 | 53.34 | | | |

Note: X (eg. A, X, Y,...) Designates Color, Material, identification.
For availability, delivery and MOQ, Please contact CKM.

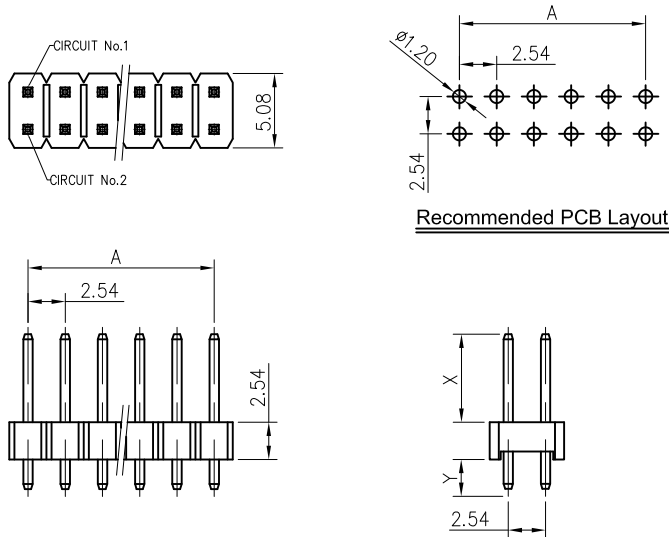
2542 Series

2.54mm[.010] pitch Wafer (Vertical Type)



Features:

- * Dual Row Vertical-Type Wafer
- * Material :Insulator: Thermoplastic UL 94V-0 (Black)
Contact Post: SQ. 0.64mm Brass, Gold-plated
- * Mates with CKM 2542 series socket
- * CKM P/N : 2542WV-2XxXP-CA-LC-HF



Dimensional & Ordering Information:

| POS | Dimensions | | POS | Dimensions | |
|-----|------------|-------|-----|------------|--------|
| | A | B | | A | B |
| 4 | 2.54 | 5.08 | 44 | 53.34 | 55.88 |
| 6 | 5.08 | 7.62 | 46 | 55.88 | 58.42 |
| 8 | 7.62 | 10.16 | 48 | 58.42 | 60.96 |
| 10 | 10.16 | 12.70 | 50 | 60.96 | 63.50 |
| 12 | 12.70 | 15.24 | 52 | 63.50 | 66.04 |
| 14 | 15.24 | 17.78 | 54 | 66.04 | 68.58 |
| 16 | 17.78 | 20.32 | 56 | 68.58 | 71.12 |
| 18 | 20.32 | 22.86 | 58 | 71.12 | 73.66 |
| 20 | 22.86 | 25.40 | 60 | 73.66 | 76.20 |
| 22 | 25.40 | 27.94 | 62 | 76.20 | 78.74 |
| 24 | 27.94 | 30.48 | 64 | 78.74 | 81.28 |
| 26 | 30.48 | 33.02 | 66 | 81.28 | 83.82 |
| 28 | 33.02 | 35.56 | 68 | 83.82 | 86.36 |
| 30 | 35.56 | 38.10 | 70 | 86.36 | 88.90 |
| 32 | 38.10 | 40.64 | 72 | 88.90 | 91.44 |
| 34 | 40.64 | 43.18 | 74 | 91.44 | 93.98 |
| 36 | 43.18 | 45.72 | 76 | 93.98 | 96.52 |
| 38 | 45.72 | 48.26 | 78 | 96.52 | 99.06 |
| 40 | 48.26 | 50.80 | 80 | 99.06 | 101.60 |
| 42 | 50.80 | 53.34 | | | |

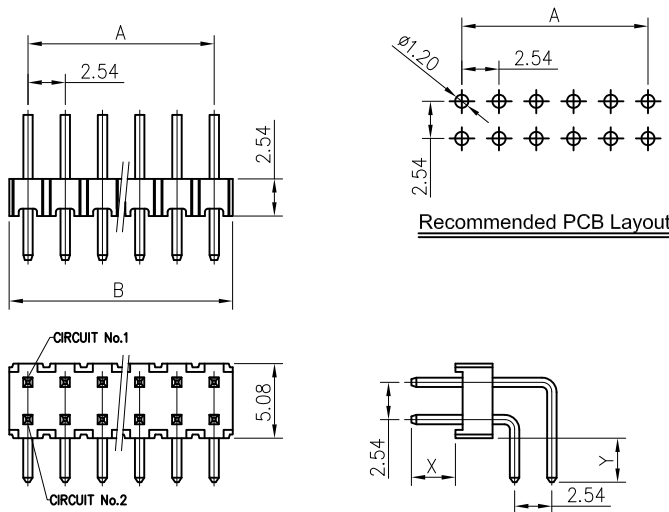
Note: X (eg. A, X, Y,...) Designates Color, Material, identification.
For availability, delivery and MOQ, Please contact CKM.

2542 Series

2.54mm[.010] pitch Wafer (Right Angle Type)

Features:

- * Dual Row Right Angle Type Wafer
- * Material :Insulator: Thermoplastic UL 94V-0 (Black)
Contact Post: SQ. 0.64mm Brass, Gold-plated
- * Mates with CKM 2542 series socket
- * CKM P/N : 2542WR-2XxXP-CA-LC-HF



Dimensional & Ordering Information:

| POS | Dimensions | | POS | Dimensions | |
|-----|------------|-------|-----|------------|--------|
| | A | B | | A | B |
| 4 | 2.54 | 5.08 | 44 | 53.34 | 55.88 |
| 6 | 5.08 | 7.62 | 46 | 55.88 | 58.42 |
| 8 | 7.62 | 10.16 | 48 | 58.42 | 60.96 |
| 10 | 10.16 | 12.70 | 50 | 60.96 | 63.50 |
| 12 | 12.70 | 15.24 | 52 | 63.50 | 66.04 |
| 14 | 15.24 | 17.78 | 54 | 66.04 | 68.58 |
| 16 | 17.78 | 20.32 | 56 | 68.58 | 71.12 |
| 18 | 20.32 | 22.86 | 58 | 71.12 | 73.66 |
| 20 | 22.86 | 25.40 | 60 | 73.66 | 76.20 |
| 22 | 25.40 | 27.94 | 62 | 76.20 | 78.74 |
| 24 | 27.94 | 30.48 | 64 | 78.74 | 81.28 |
| 26 | 30.48 | 33.02 | 66 | 81.28 | 83.82 |
| 28 | 33.02 | 35.56 | 68 | 83.82 | 86.36 |
| 30 | 35.56 | 38.10 | 70 | 86.36 | 88.90 |
| 32 | 38.10 | 40.64 | 72 | 88.90 | 91.44 |
| 34 | 40.64 | 43.18 | 74 | 91.44 | 93.98 |
| 36 | 43.18 | 45.72 | 76 | 93.98 | 96.52 |
| 38 | 45.72 | 48.26 | 78 | 96.52 | 99.06 |
| 40 | 48.26 | 50.80 | 80 | 99.06 | 101.60 |
| 42 | 50.80 | 53.34 | | | |

Note: X (eg. A, X, Y,...) Designates Color, Material, identification.
For availability, delivery and MOQ, Please contact CKM.