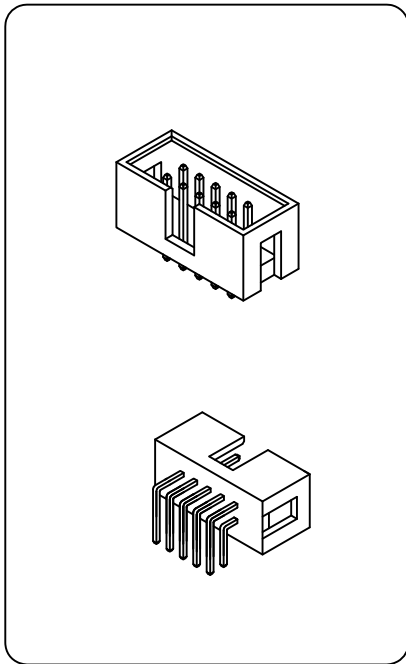


2546 Series

2.54mm[.100] pitch Board to Board Connector



Specifications:

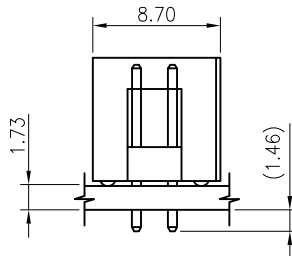
Circuit	6~50 Poles
Pitch between poles	2.54mm
Rated Voltage	250V AC,DC
Rated Current	3A (AWG #22)
Withstand Voltage	250V AC/minute
Contact Resistance	20mΩ Max.
Insulation Resistance	1000MΩ Min.
Temperature Range	-25°~+85°C
Applicable Wire Range	AWG #22

UL: Recognized No. E186634

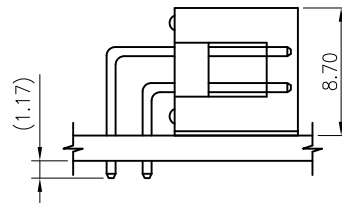
RoHS-Specification

Assembly Layout

Vertical Type



Right Angle Type



Ordering Code

① ②③ ④ ⑤⑥
2546 **WX** **-XP** **-XX**

- ① Series No.
- ② Wafer
- ③ Entry Type: WV=Vertical
WR=Right angle
- ④ No. of circuits: 6~50
- ⑤ Plating code: C=Gold plated
- ⑥ Color Code: A=BLACK

Note: * (eg. A, B, X...) designates Plated thickness identification.
 For availability, delivery, color and MOQ, contact CKM.

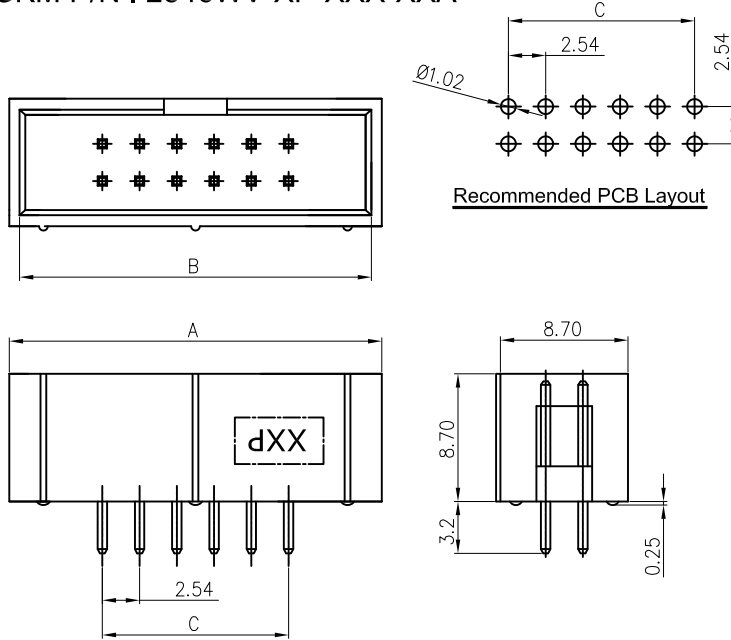
2546Series

2.54mm[.100] pitch wafer (Vertical-DIP Type)



Features:

- * Dual Row Vertical-DIP Type Wafer
- * Material : Insulator: Thermoplastic UL 94V-0 (Black)
Contact Post: SQ. 0.64mm Brass, Tin or Gold-plated
- * Mates with CKM 2542 Series socket
- * CKM P/N : 2546WV-XP-XXX-XXA



Dimensional & Ordering Information:

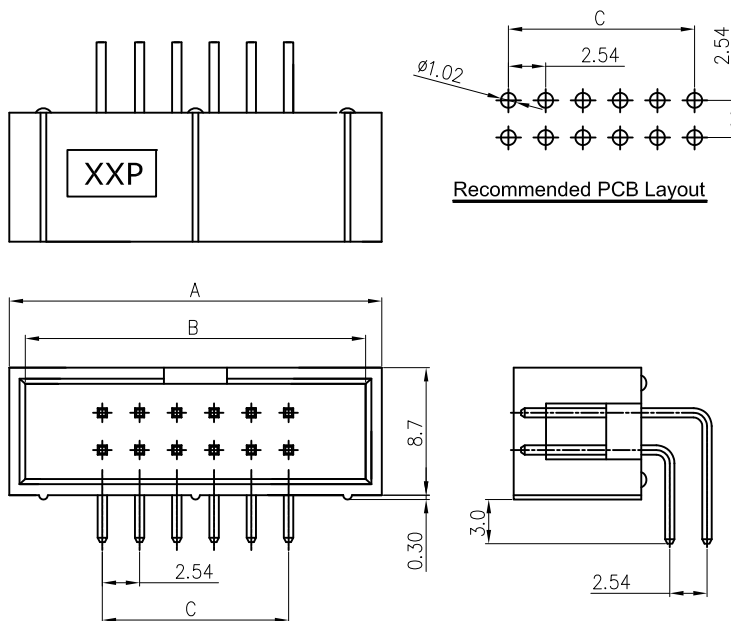
POS	Dimensions		
	A	B	C
6	15.27	13.07	5.08
8	17.81	15.61	7.62
10	20.35	18.15	10.16
12	22.89	20.69	12.70
14	25.43	23.23	15.24
16	27.97	25.77	17.78
18	30.51	28.31	20.32
20	33.05	30.85	22.86
22	35.59	33.39	25.40
24	38.13	35.93	27.94
26	40.67	38.47	30.48
30	45.75	43.55	35.56
32	48.29	46.09	38.10
34	50.83	48.63	40.64
40	58.45	56.25	48.26
50	71.15	68.95	60.96

2546 Series

2.54mm[.100] pitch wafer (Right Angle-DIP Type)

Features:

- * Dual Row Right Angle-DIP Type Wafer
- * Material : Insulator: Thermoplastic UL 94V-0 (Black)
Contact Post: SQ. 0.64mm Brass, Tin or Gold-plated
- * Mates with CKM 2542 Series socket
- * CKM P/N : 2546WR-XP-C3A



Dimensional & Ordering Information:

POS	Dimensions		
	A	B	C
6	15.27	13.07	5.08
8	17.81	15.61	7.62
10	20.35	18.15	10.16
12	22.89	20.69	12.70
14	25.43	23.23	15.24
16	27.97	25.77	17.78
18	30.51	28.31	20.32
20	33.05	30.85	22.86
22	35.59	33.39	25.40
24	38.13	35.93	27.94
26	40.67	38.47	30.48
30	45.75	43.55	35.56
32	48.29	46.09	38.10
34	50.83	48.63	40.64
40	58.45	56.25	48.26
50	71.15	68.95	60.96