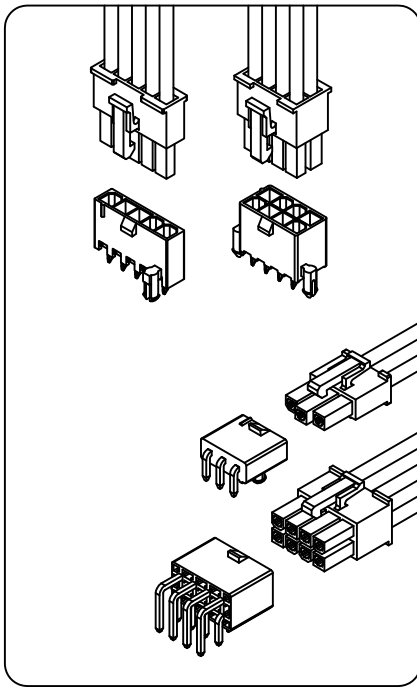


# 4203 Series

4.2mm[.165] pitch Wire to Board Connector



## Specifications:

Circuit	2~24Poles
Pitch between poles	4.2mm
Rated Voltage	600V AC,DC
Rated Current	4A(AWG #20)
Withstand Voltage	1500V AC/minute
Contact Resistance	10mΩ Max.
Insulation Resistance	1000MΩ Min.
Temperature Range	-40°~+105°C
Applicable Wire Range	AWG #16~#28

UL: Recognized No. E186634

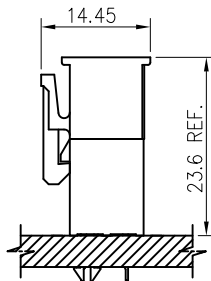
CSA: Certified No. LR110611

No. B 090260 0006 Rev. 01

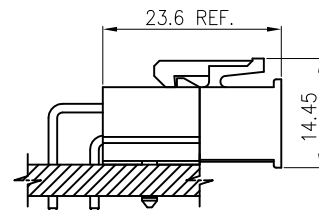
RoHS-Specification

## Assembly Layout

Vertical-Type



Right Angle-Type



## Ordering Code

① ② ③  
CKM4203 -H -XX

- ① Series No.
- ② Housing
- ③ No. of circuits: 1~12 or 3~5

① ②③ ④ ⑤  
CKM4203 -TX -X -X

- ① Series No.
- ② Terminal
- ③ Crimp Type: S=Standart Tail, L=Large Tail  
LL=Ultra-high Tail
- ④ Material: Copper alloy
- ⑤ Plated Code: 1=Gold Flash Plated & 2=Tin Plated

① ② ③  
CKM4203 -XXX -XX

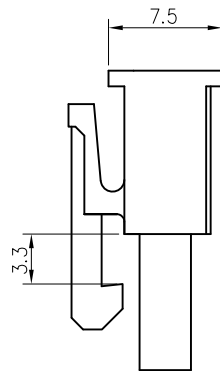
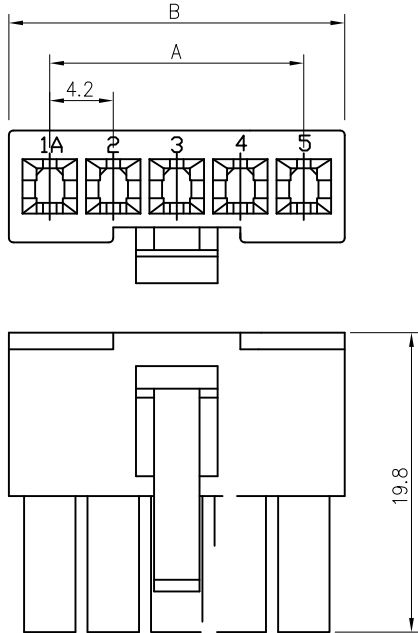
- ① Series No.
- ② Option Code: WVU=Single Vertical-DIP  
WRD=Single Right Angle-DIP  
WVD=Dual Vertical-DIP  
WRC=Dual Right Angle-DIP
- ③ No. of circuits: 1~12 or 3~5

# 4203 Series

4.2mm[.165] pitch Crimp Terminal Socket

**Features:**

- \* Single Row Terminal Socket
- \* Material : Nylon 66 UL 94V-0/Nylon 66 UL 94V-2
- \* Suitable for CKM4203 series terminal
- \* CKM P/N : CKM4203-HW-XX-X-X



**Dimensional & Ordering Information:**

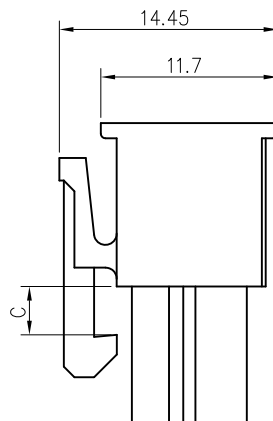
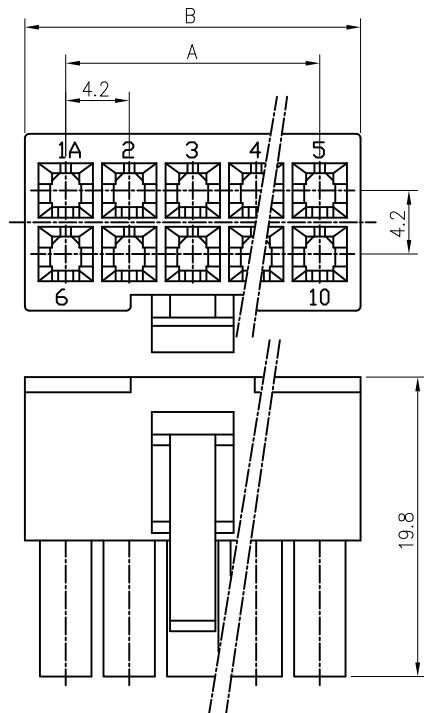
POS	Dimensions	
	A	B
3	8.40	13.80
4	12.60	18.00
5	16.80	22.20

# 4203 Series

4.2mm[.165] pitch Crimp Terminal Socket

**Features:**

- \* Dual Row Terminal Socket
- \* Material : Nylon 66 UL 94V-0/Nylon 66 UL 94V-2
- \* Suitable for CKM4203 series terminal
- \* CKM P/N : CKM4203-HM-XX-X-X



**Dimensional & Ordering Information:**

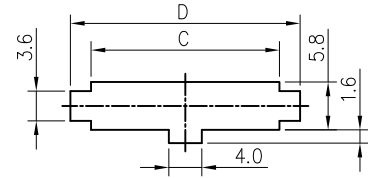
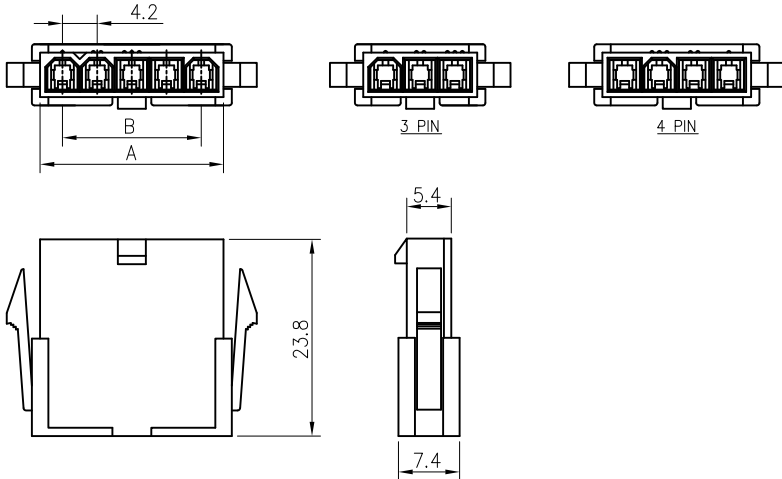
POS	Dimensions		
	A	B	C
2	/	5.40	3.30
4	4.20	9.60	
6	8.40	13.80	
8	12.60	18.00	
10	16.80	22.20	
12	21.00	26.40	3.60
14	25.20	30.60	
16	29.40	34.80	
18	33.60	39.00	
20	37.60	43.20	
22	42.00	47.40	
24	46.20	51.60	

# 4203 Series

4.2mm[.165] pitch Crimp Terminal Socket

**Features:**

- \* Single Row Terminal Socket
- \* Material : Nylon 66 UL 94V-0/Nylon 66 UL 94V-2
- \* Suitable for CKM4203 series terminal
- \* CKM P/N : CKM4203-HFJ-XX-X-X



Recommended PCB Layout

**Dimensional & Ordering Information:**

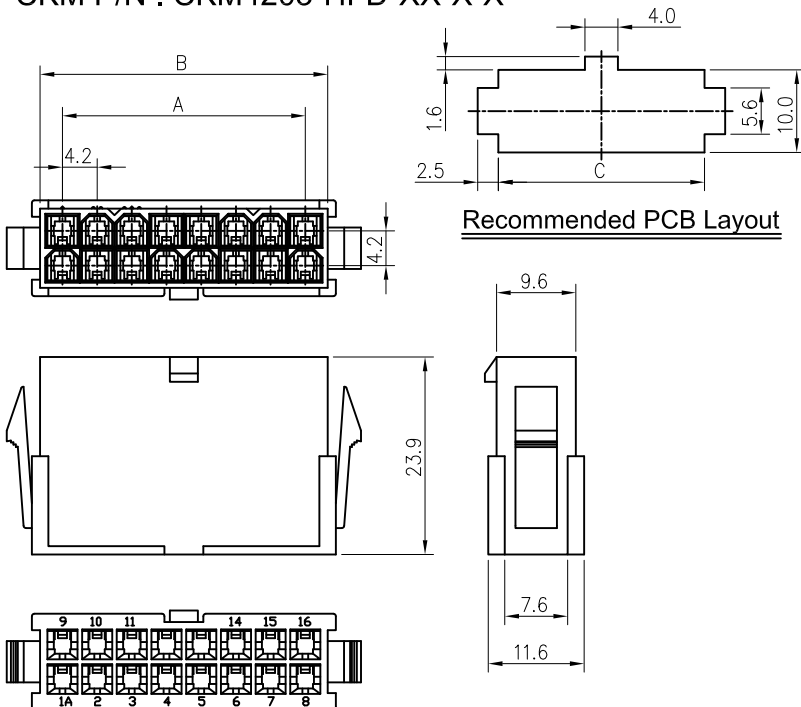
POS	Dimensions			
	A	B	C	D
3	13.80	8.40	14.40	19.40
4	18.00	12.60	18.60	23.60
5	22.20	16.80	22.80	27.80

# 4203 Series

4.2mm[.165] pitch Crimp Terminal Socket

**Features:**

- \* Dual Row Terminal Socket
- \* Material : Nylon 66 UL 94V-0/Nylon 66 UL 94V-2
- \* Suitable for CKM4203 series terminal
- \* CKM P/N : CKM4203-HFD-XX-X-X



Recommended PCB Layout

**Dimensional & Ordering Information:**

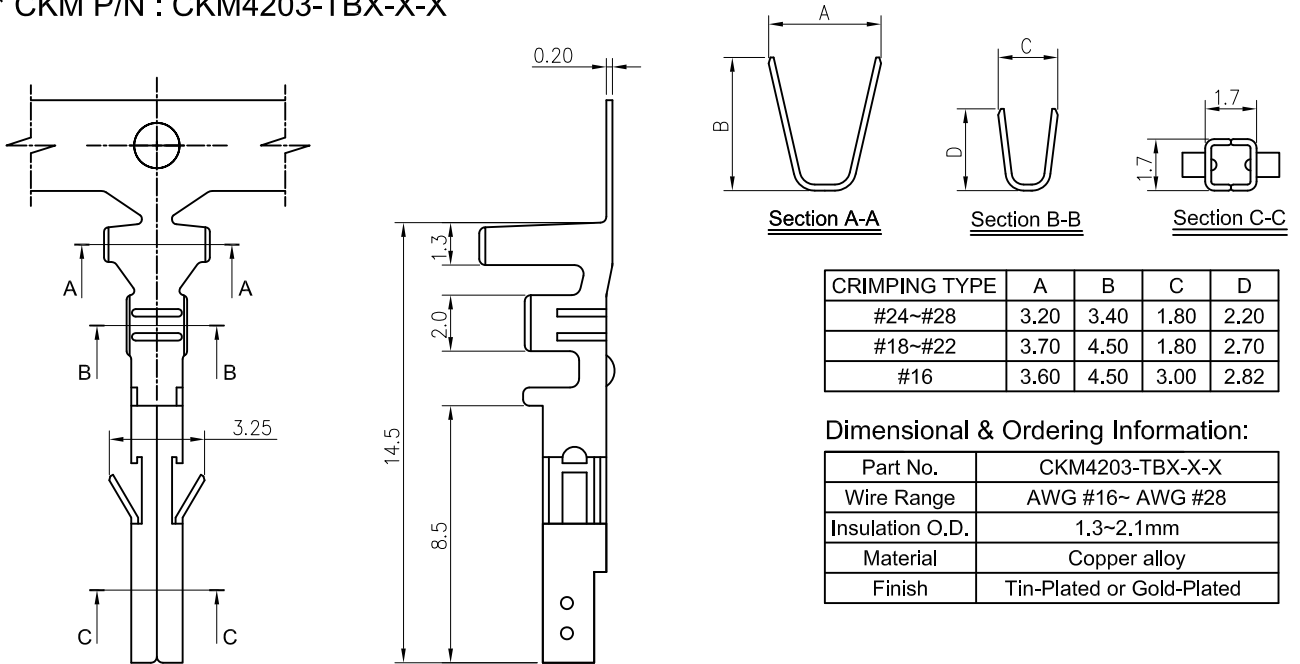
POS	Dimensions		
	A	B	C
2	4.20	5.40	5.80
4	4.20	9.60	10.00
6	8.40	13.80	14.20
8	12.60	18.00	18.40
10	16.80	22.20	22.60
12	21.00	26.40	26.80
14	25.20	30.60	31.00
16	29.40	34.80	35.20
18	33.60	39.00	39.40
20	37.60	43.20	43.60
22	42.00	47.40	47.80
24	46.20	51.60	52.00

# 4203 Series

4.2mm[.165] pitch Crimp Terminal

**Features:**

- \* Used in CKM4203 series socket
- \* Material : 0.20mm thickness Copper alloy, Tin or Gold-plated
- \* CKM P/N : CKM4203-TBX-X-X

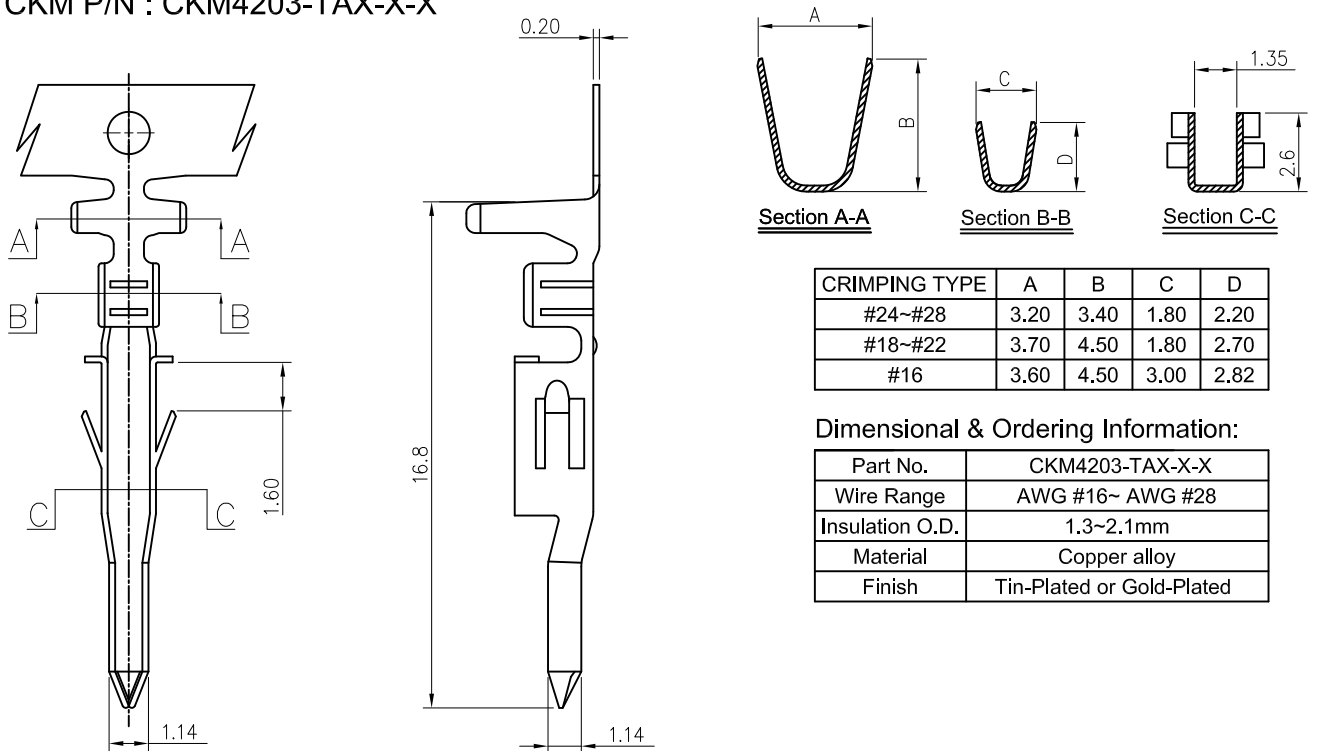


# 4203 Series

4.2mm[.165] pitch Crimp Terminal

**Features:**

- \* Used in CKM4203 series socket
- \* Material : 0.20mm thick Copper alloy, Tin or Gold-plated
- \* CKM P/N : CKM4203-TAX-X-X

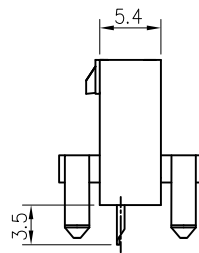
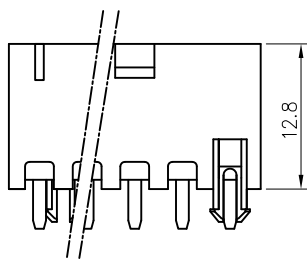
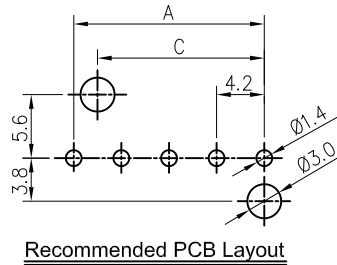
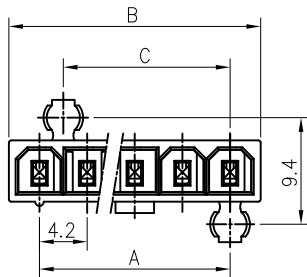


## 4203 Series

4.2mm[.165] pitch Wafer (Vertical Type)

### Features:

- \* Single Row Vertical-DIP Type Wafer
- \* Material : Insulator: Nylon 66 UL 94V-0/Nylon 66 UL 94V-2  
Contact Post: 0.25mm thickness Copper alloy, Tin-plated or Gold Flash-plated
- \* Mates with CKM4203 series socket
- \* CKM P/N : CKM4203-WVU-XX-X-X-XX-X



### Dimensional & Ordering Information:

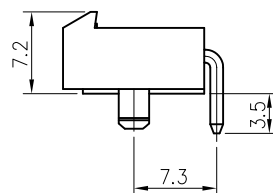
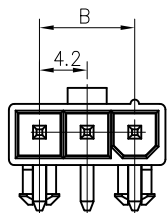
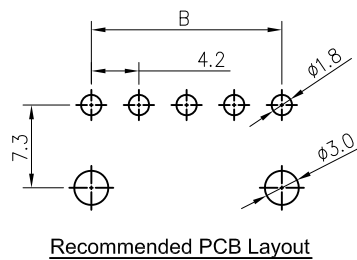
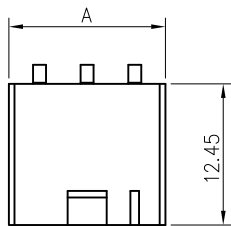
POS	Dimensions		
	A	B	C
3	8.40	13.80	6.30
4	12.60	18.00	10.50
5	16.80	22.20	14.70

## 4203 Series

4.2mm[.165] pitch Right Angle Type Wafer

### Features:

- \* Single Row Right Angle-DIP Type Wafer
- \* Material : Insulator: Nylon 66 UL 94V-0  
Contact Post: SQ. 0.64mm Copper alloy, Tin-plated or Gold Flash-plated
- \* Mates with CKM4203 series socket
- \* CKM P/N : CKM4203-WRD-XXXX-X-X-X-X



### Dimensional & Ordering Information:

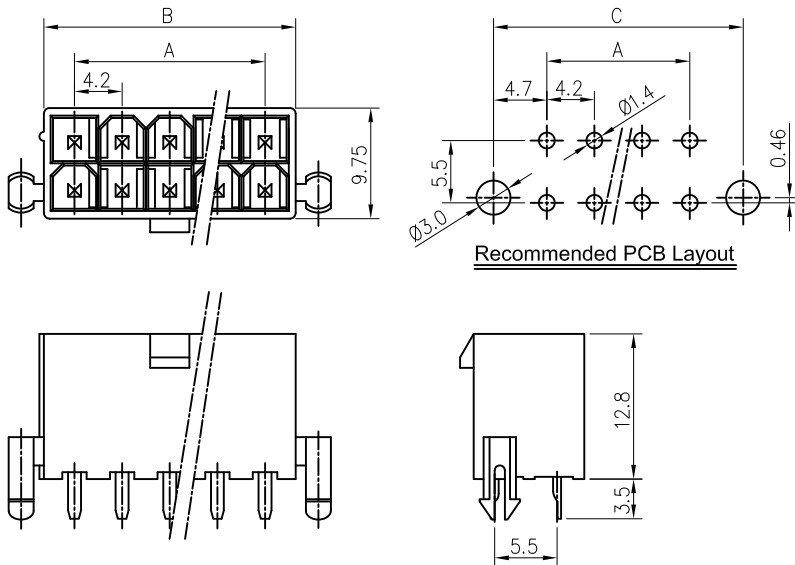
POS	Dimensions	
	A	B
3	8.40	13.80
4	12.60	18.00
5	16.80	22.20

# 4203 Series

4.2mm[.165] pitch Wafer (Vertical Type)

**Features:**

- \* Dual Row Vertical-DIP Type Wafer
- \* Material : Insulator: LCP UL 94V-0/Nylon 66 UL 94V-0/Nylon 66 UL 94V-2  
Contact Post: 0.25mm thickness Copper alloy, Tin-plated or Gold Flash-plated
- \* Mates with CKM4203 series socket
- \* CKM P/N : CKM4203-WVD-XXXX-X-X-X-X



**Dimensional & Ordering Information:**

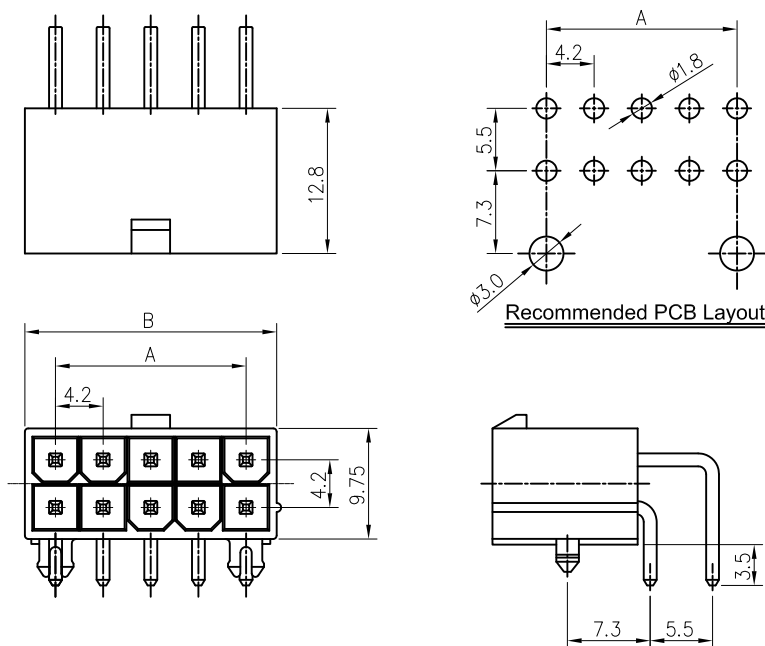
POS	Dimensions		
	A	B	C
2	/	5.40	9.40
4	4.20	9.60	13.60
6	8.40	13.80	17.80
8	12.60	18.00	22.00
10	16.80	22.20	26.20
12	21.00	26.40	30.40
14	25.20	30.60	34.60
16	29.40	34.80	38.80
18	33.60	39.00	43.00
20	37.60	43.20	47.20
22	42.00	47.40	51.40
24	46.20	51.60	55.60

# 4203 Series

4.2mm[.165] pitch Right Angle Type Wafer

**Features:**

- \* Dual Row Right Angle-DIP Type Wafer
- \* Material : Insulator: LCP UL 94V-0/Nylon 66 UL 94V-0/Nylon 66 UL 94V-2  
Contact Post: SQ. 0.64mm Copper alloy, Tin-plated or Gold Flash-plated
- \* Mates with CKM 4203 series socket
- \* CKM P/N : CKM4203-WRC-XXXX-X-X-X-X



**Dimensional & Ordering Information:**

POS	Dimensions	
	A	B
2	/	5.40
4	4.20	9.60
6	8.40	13.80
8	12.60	18.00
10	16.80	22.20
12	21.00	26.40
14	25.20	30.60
16	29.40	34.80
18	33.60	39.00
20	37.60	43.20
22	42.00	47.40
24	46.20	51.60