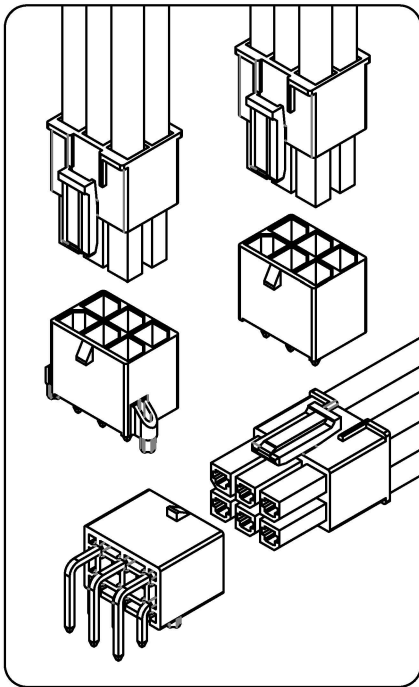


# 5701 Series

5.70mm[.22] pitch Wire to Board Connector



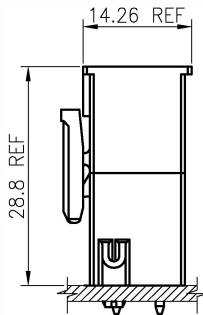
## Specifications:

Circuit	2~12 Poles
Pitch between poles	5.70mm
Rated Voltage	600V AC,DC
Rated Current	23A (AWG #12)
Withstand Voltage	2200V AC/minute
Contact Resistance	10mΩ Max.
Insulation Resistance	1000MΩ Min.
Temperature Range	-40°~+105°C
Applicable Wire Range	AWG #12~#16

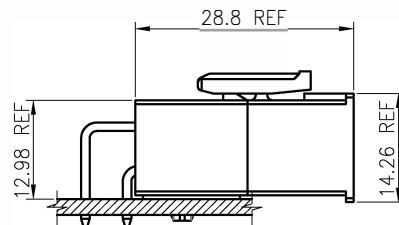
- UL: Recognized No. E186634
- TUV: Recognized No. B 090260 0005
- RoHS-Specification
- Halogen-free products

## Assembly Layout

Vertical Type



Right Angle Type



## Ordering Code

① ② ③ ④ ⑤  
5701 H -XP -X -HF

- ① Series No.
- ② Housing
- ③ No. of circuits: 2~12
- ④ Color Code: Blank(Natural) or X(other)
- ⑤ HF: Halogen Free

① ② ③④ ⑤  
5701 T -XH -XX

- ① Series No.
- ② Terminal
- ③ Crimp Type: 0=Standart Type, 2=High type
- ④ Material: B=Brass, P=Phosphor bronze
- ⑤ Plating Code: B1=Per-Tin Plated  
C4=15u" Gold Plated  
C7=30u" Gold Plated

① ②③ ④ ⑤⑥ ⑦ ⑧  
5701 WX -XP -XX -XX -HF

- ① Series No.
- ② Wafer
- ③ Entry Type: V=Vertical  
R=Right Angle
- ④ No. of circuits: 2~12
- ⑤ Plating code: A=Matte Tin  
B=Bright Tin  
C4=15u" Gold-Plated  
C7=30u" Gold-Plated
- ⑥ Color Code: Blank(Natural) or X(other)
- ⑦ Boss: Blank=W/ Boss  
NB=W/O Boss
- ⑧ HF: Halogen Free

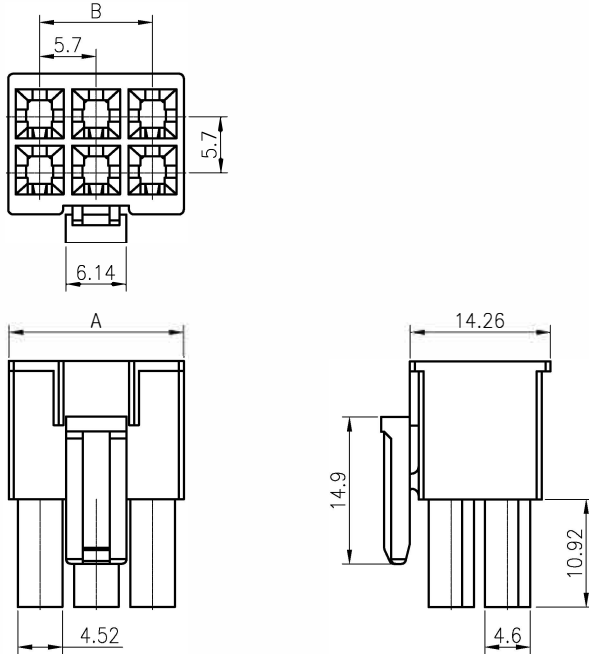
Note: \* (eg. A, B, X...) designates Plated thickness identification.  
For availability, delivery, color and MOQ

# 5701 Series

5.70mm[.22] pitch Crimp Terminal Socket

**Features:**

- \* Dual Row Terminal Socket
- \* Material : Nylon 66 UL 94V-0 or 94V-2
- \* Suitable for 5701 series terminal
- \* CKM P/N : 5701H-XP



**Dimensional & Ordering Information:**

POS	Dimensions	
	A	B
2	8.35	/
4	12.05	5.70
6	17.75	11.40
8	23.45	17.10
10	29.15	22.80
12	34.85	28.50

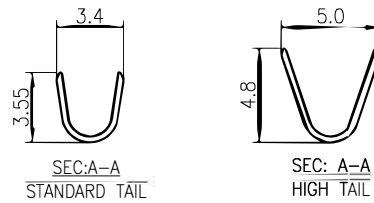
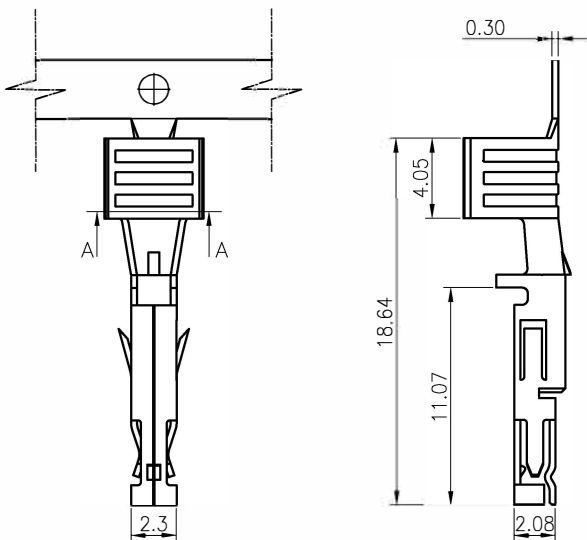
Note: \* For availability, delivery and MOQ

# 5701 Series

5.70mm[.22] pitch Crimp Terminal

**Features:**

- \* Used in 5701 series socket
- \* Material : 0.30mm thick Copper alloy, Tin or Gold-plated
- \* CKM P/N : 5701TXH-XXT



**Dimensional & Ordering Information:**

Part No.	5701TXH-XXT
Wire Range	AWG #16~#14 or #12
Insulation O.D.	1.5~4.0mm Max.
Material	High Conductivity
Finish	Tin or Gold-Plated

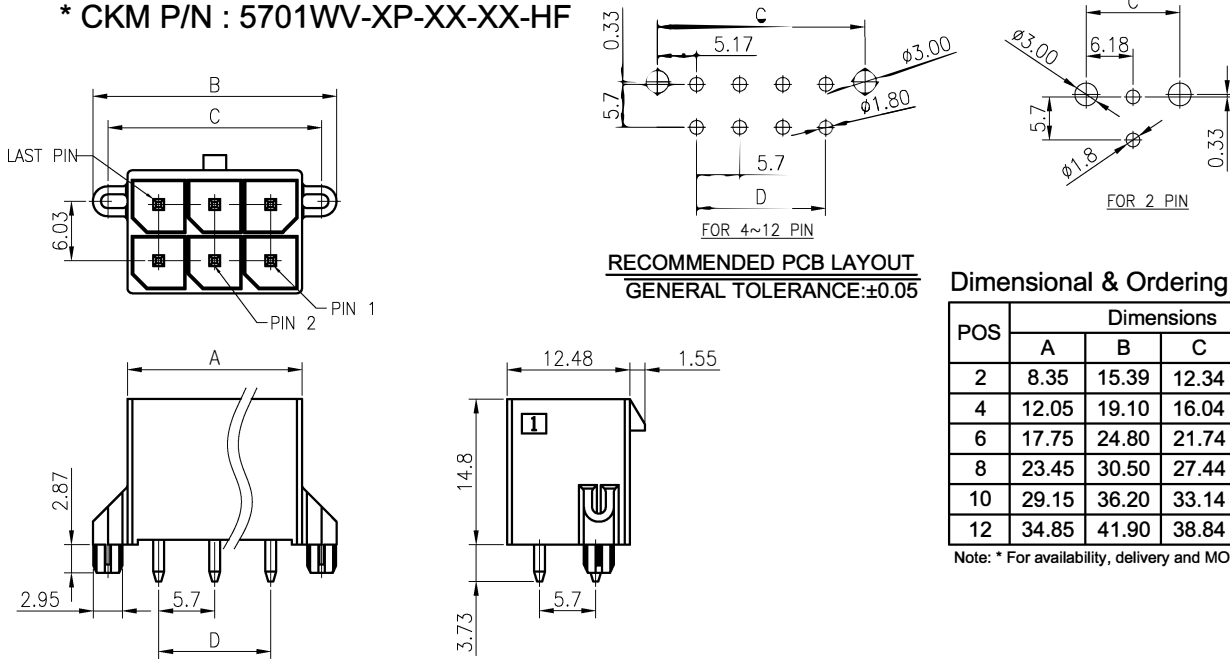


# 5701 Series

5.70mm[.22] pitch Wafer (Vertical Type)

## Features:

- \* Dual Row Vertical DIP Type Wafer
- \* Material : Insulator: High Temp Thermoplastic UL 94V-0  
Contact: 1.12mm Square Copper alloy, Tin-plated or Gold Plated
- \* Mates with 5701 series socket
- \* CKM P/N : 5701WV-XP-XX-XX-HF



## Dimensional & Ordering Information:

POS	Dimensions			
	A	B	C	D
2	8.35	15.39	12.34	
4	12.05	19.10	16.04	5.70
6	17.75	24.80	21.74	11.40
8	23.45	30.50	27.44	17.10
10	29.15	36.20	33.14	22.80
12	34.85	41.90	38.84	28.50

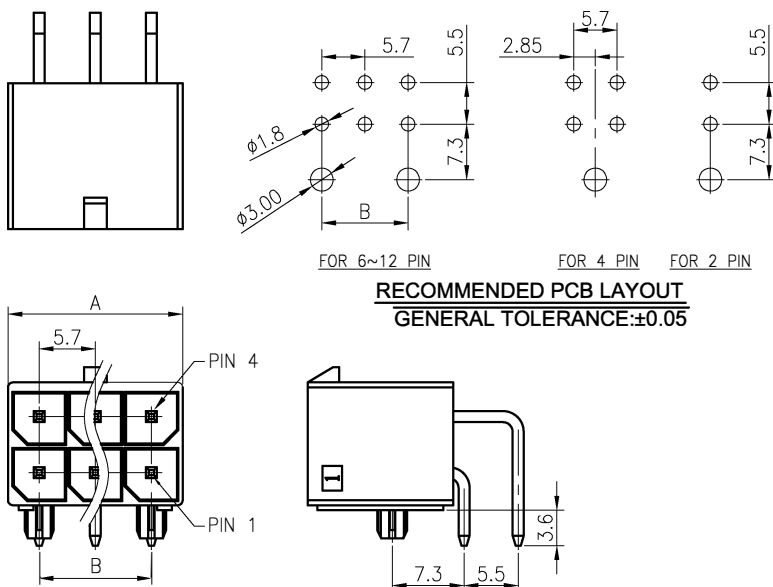
Note: \* For availability, delivery and MOQ

# 5701 Series

5.70mm[.22] pitch Wafer (Right Angle Type)

## Features:

- \* Dual Row Right Angle DIP Type Wafer
- \* Material : Insulator: High Temp Thermoplastic UL 94V-0  
Contact: 1.12mm Square Copper alloy, Tin or Gold plated
- \* Mates with 5701 series socket
- \* CKM P/N : 5701WR-XP-XX-XX-HF



## Dimensional & Ordering Information:

POS	Dimensions		
	A	B	C
2	8.35		9.35
4	12.05	5.70	13.05
6	17.75	11.40	18.75
8	23.45	17.10	24.45
10	29.15	22.80	30.15
12	34.85	28.50	35.45

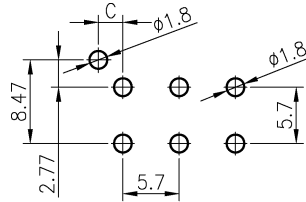
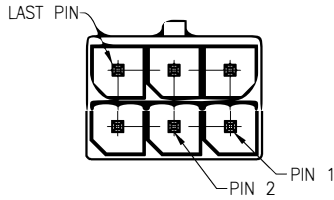
Note: \* For availability, delivery and MOQ

# 5701 Series

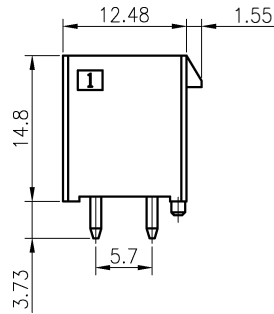
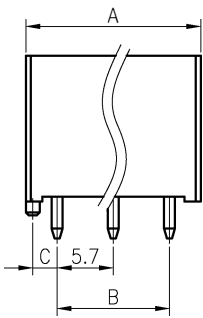
5.70mm[.22] pitch Wafer (Vertical Type)

## Features:

- \* Dual Row Vertical DIP Type Wafer
- \* Material : Insulator: High Temp Thermoplastic UL 94V-0  
Contact: 1.12mm Square Copper alloy, Tin-plated or Gold Plated
- \* Mates with 5701 series socket
- \* CKM P/N : 5701WV-XP-XX-NB-HF



**RECOMMENDED PCB LAYOUT**  
GENERAL TOLERANCE:±0.05



## Dimensional & Ordering Information:

POS	Dimensions		
	A	B	C
2	8.35		3.48
4	12.05	5.70	2.48
6	17.75	11.40	2.48
8	23.45	17.10	2.48
10	29.15	22.80	2.48
12	34.85	28.50	2.48

Note: \* For availability, delivery and MOQ