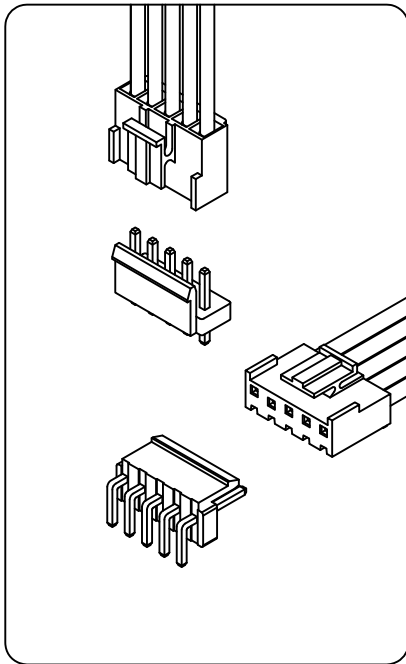


# 3962 Series

3.96mm[.156] pitch Wire to Board Connector



## Specifications:

Circuit	2~13 Poles
Pitch between poles	3.96mm
Rated Voltage	250~600V AC,DC
Rated Current	7~10A (AWG #18)
Withstand Voltage	1500V AC/minute
Contact Resistance	10mΩ Max.
Insulation Resistance	1000MΩ Min.
Temperature Range	-25°~+105°C
Applicable Wire Range	AWG #14~#22

UL: Recognized No. E186634

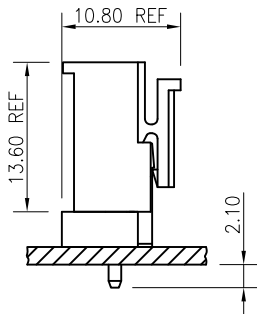
CSA: Certified No. LR110611

RoHS-Specification

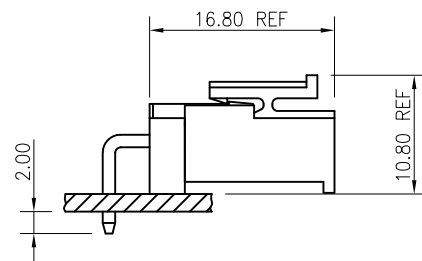
Halogen-free products

## Assembly Layout

Vertical Type



Right Angle Type



## Ordering Code

① ② ③ ④ ⑤  
3962 H -XX -X -HF

- ① Series No.
- ② Housing
- ③ No. of circuits: 2~13
- ④ Color Code: Blank(Natural) or X(other)
- ⑤ HF: Halogen Free (or not)

① ② ③④ ⑤⑥  
3962 T XX -XX

- ① Series No.
- ② Terminal
- ③ Crimp Type: 0=Standart Type  
2=High grip Type
- ④ Material: Copper alloy
- ⑤ Plated Code: B=Bright Tin Plated  
C=Gold Flash Plated
- ⑤ Plated Code: 1=Per-Tin Plated  
2=Post-Tin Plated

① ②③ ④ ⑤⑥ ⑦  
3962 WX -XP -XX -HF

- ① Series No.
- ② Wafer
- ③ Entry Type: WV=Vertical  
WR=Right angle
- ④ No. of circuits: 2~13
- ⑤ Plating code: A=Matte Tin Plated  
B=Bright Tin Plated  
C=Gold Flash Plated
- ⑥ Color Code: Blank(Natural) or X(other)
- ⑦ HF: Halogen Free (or not)

Note: \* (eg. A, B, X...) designates Plated thickness identification.  
For availability, delivery, color and MOQ, contact CKM.

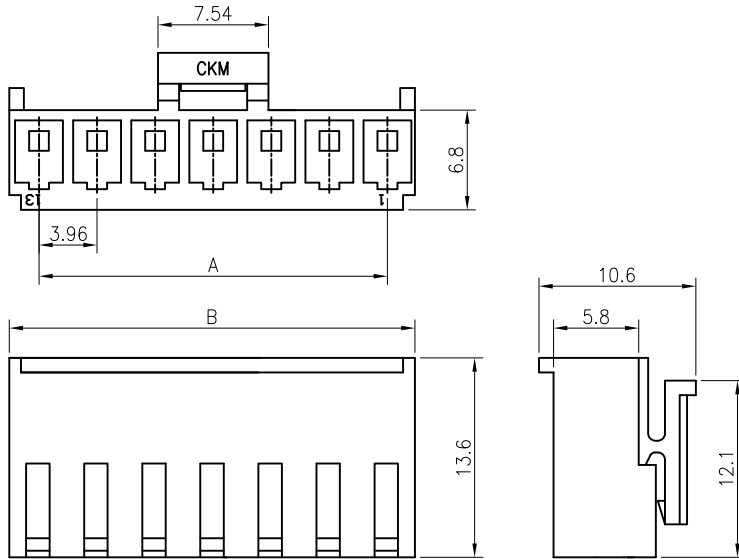
# 3962 Series

3.96mm[.156] pitch Crimp Terminal Socket



**Features:**

- \* Single Row Terminal Socket
- \* Material : Nylon 66 UL 94V-0/2 (Natural)
- \* Suitable for CKM 3962 series terminal
- \* CKM P/N : 3962H-XP-X-XX



**Dimensional & Ordering Information:**

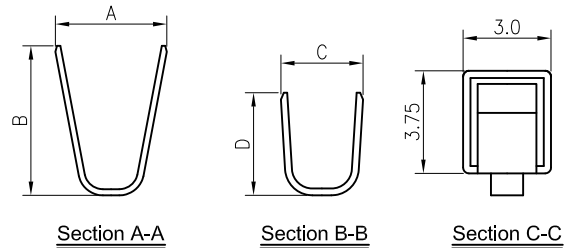
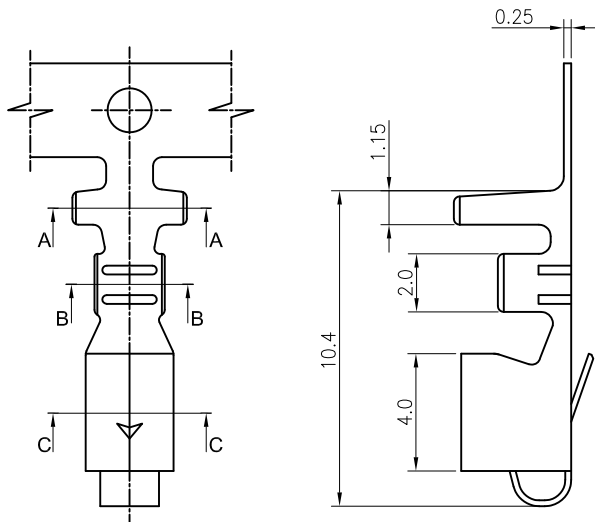
POS	Dimensions	
	A	B
2	3.96	7.92
3	7.92	11.88
4	11.88	15.84
5	15.84	19.80
6	19.80	23.76
7	23.76	27.72
8	27.72	31.68
9	31.68	35.64
10	35.64	39.60
11	39.60	43.56
12	43.56	47.52
13	47.52	51.48

# 3962 Series

3.96mm[.156] pitch Crimp Terminal

**Features:**

- \* Used in CKM 3962 series socket
- \* Material : 0.25mm thick Copper alloy, Tin plated
- \* CKM P/N : 3962TXX-XX



CRIMPING TYPE	A	B	C	D
#18~#22	3.6	4.0	2.4	2.5
#14~#18	3.8	5.1	2.8	3.5

**Dimensional & Ordering Information:**

Part No	3962T0X-BX	3962T0X-CX
Wire Range	AWG #18~#22	
Insulation O.D.	2.8mm(max)	
Part No	3962T2X-BX	3962T2X-CX
Wire Range	AWG #14~#18	
Insulation O.D.	3.7(max)	
Material	Copper alloy	
Finish	Tin-Plated	Gold-Plated
Qty / reel	3,000/4,000 pcs	

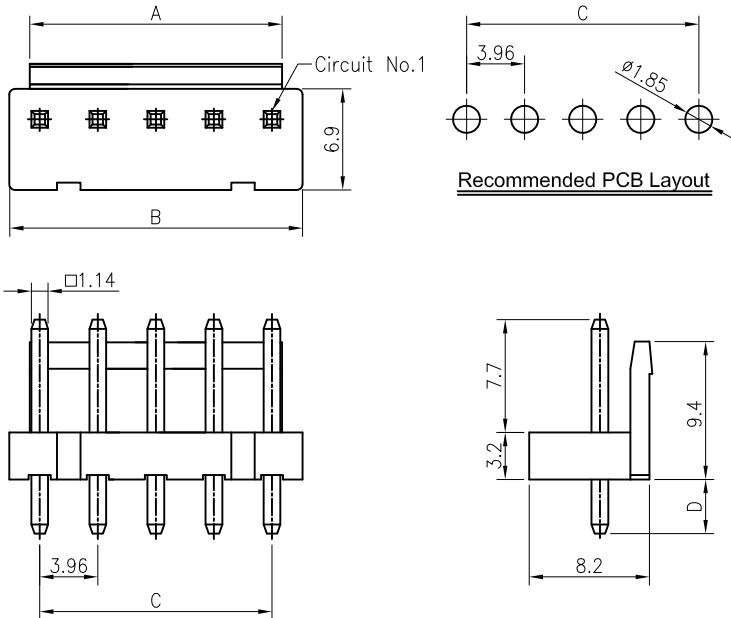
# 3962 Series

3.96mm[.156] pitch wafer (Vertical-DIP Type)



## Features:

- \* Single Row Vertical-DIP Type Wafer
- \* Material : Insulator: Thermoplastic UL 94V-0 (Natural)  
Contact Post: SQ. 1.14mm Copper alloy, Tin-plated
- \* Mates with CKM 3962 Series socket
- \* CKM P/N : 3962WV-XP-XX-HF



Solder Pin Length DIM D			
3.7mm	2.1mm	2.5mm	3.0mm

## Dimensional & Ordering Information:

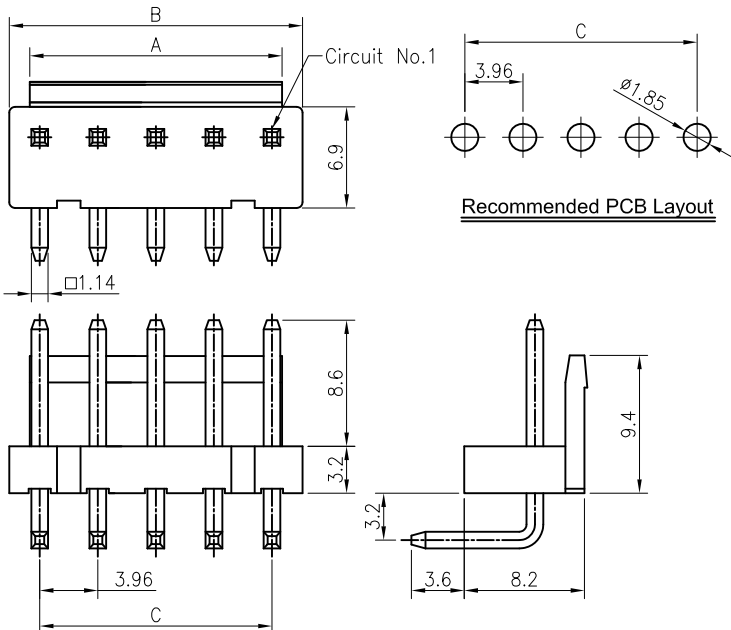
POS	Dimensions		
	A	B	C
2	5.30	7.92	3.96
3	9.26	11.88	7.92
4	13.22	15.84	11.88
5	17.18	19.80	15.84
6	21.14	23.76	19.80
7	25.10	27.72	23.76
8	29.06	31.68	27.72
9	33.02	35.64	31.68
10	36.98	39.60	35.64
11	40.94	43.56	39.60
12	44.90	47.52	43.56
13	48.86	51.48	47.52

# 3962 Series

3.96mm[.156] pitch wafer (Right Angle-DIP Type)

## Features:

- \* Single Row Right Angle-DIP Type Wafer
- \* Material : Insulator: Thermoplastic UL 94V-0 (Natural)  
Contact Post: SQ. 1.14mm Copper alloy, Tin or Gold-plated
- \* Mates with CKM 3962 Series socket
- \* CKM P/N : 3962WR-XP-XX-HF



## Dimensional & Ordering Information:

POS	Dimensions		
	A	B	C
2	5.30	7.92	3.96
3	9.26	11.88	7.92
4	13.22	15.84	11.88
5	17.18	19.80	15.84
6	21.14	23.76	19.80
7	25.10	27.72	23.76
8	29.06	31.68	27.72
9	33.02	35.64	31.68
10	36.98	39.60	35.64
11	40.94	43.56	39.60
12	44.90	47.52	43.56
13	48.86	51.48	47.52