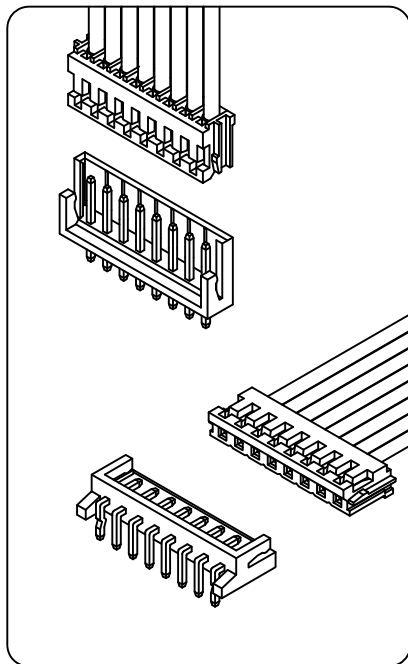


# 2504 Series

2.50mm[.098] pitch Wire to Board Connector



## Specifications:

Circuit	2~15 Poles
Pitch between poles	2.50mm
Rated Voltage	250V AC
Rated Current	3A (AWG #22)
Withstand Voltage	800V AC/minute
Contact Resistance	10mΩ Max.
Insulation Resistance	1000MΩ Min.
Temperature Range	-25°~+85°C
Applicable Wire Range	AWG #22~#28

UL: Recognized No. E186634

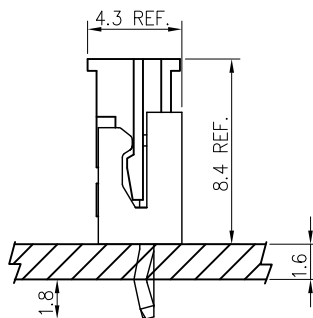
CSA: Certified No. LR110611

RoHS: Specification

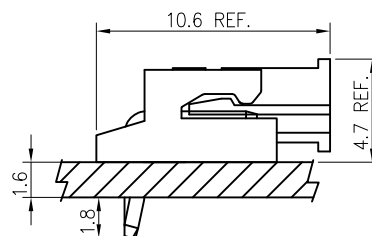
HF: Halogen-free products

## Assembly Layout

Vertical Type



Right Angle Type



## Ordering Code

① ② ③ ④ ⑤  
2504 H -XP -X -HF

- ① Series No.
- ② Housing
- ③ No. of circuits: 2~15
- ④ Color Code: Blank(Natural) or X(other)
- ⑤ HF: Halogen Free (or not)

① ② ③④ ⑤  
2504 T -XX -XX

- ① Series No.
- ② Terminal
- ③ Crimp Type: 0=Standart Type
- ④ Material: Copper alloy
- ⑤ Plated Code: B1=Per-Tin Plated  
B2=Post-Tin Plated  
C=Gold Flash Plated

① ②③ ④ ⑤⑥ ⑦  
2504 WX -XP -XX -HF

- ① Series No.
- ② Wafer
- ③ Entry & Solder Type: WV=Vertical  
WR=Right angle
- ④ No. of circuits: 2~15
- ⑤ Plating code: A=Matte Tin  
B=Bright Tin
- ⑥ Color Code: Blank(Natural) or A(Black)
- ⑦ HF: Halogen Free (or not)

Note: \* (eg. A, B, X...) designates Plated thickness identification.  
For availability, delivery, color and MOQ, contact CKM.

# 2504 Series

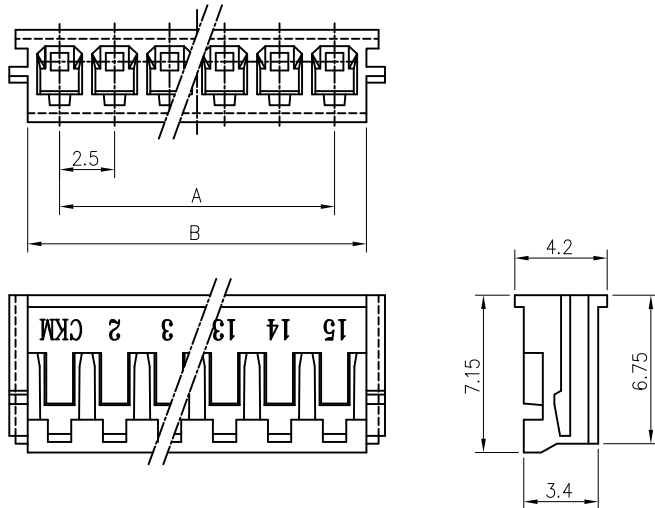
2.50mm[.098] pitch Crimp Terminal Socket



**Features:**

- \* Single Row Terminal Socket
- \* Material : Nylon 66 UL 94V-0 (Natural)
- \* Suitable for CKM 2504 series terminal
- \* CKM P/N : 2504H-XP-X-XX

**Dimensional & Ordering Information:**



POS	Dimensions	
	A	B
2	2.5	5.4
3	5.0	7.9
4	7.5	10.4
5	10.0	12.9
6	12.5	15.4
7	15.0	17.9
8	17.5	20.4
9	20.0	22.9
10	22.5	25.4
11	25.0	27.9
12	27.5	30.4
13	30.0	32.9
14	32.5	35.4
15	35.0	37.9

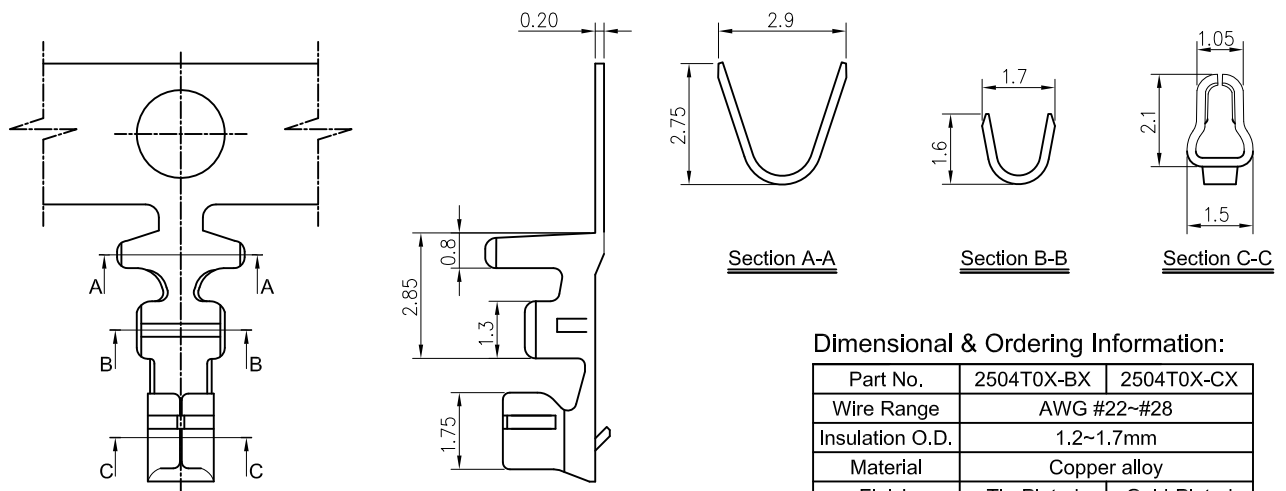
Note: X (eg. A, XX...) Designates Color, Material, identification.  
For availability, delivery and MOQ, Please contact CKM.

# 2504 Series

2.50mm[.098] pitch Crimp Terminal

**Features:**

- \* Used in CKM 2504 series socket
- \* Material : 0.20mm thick Copper alloy, Tin or Gold-plated
- \* CKM P/N : 2504T0X-XX



**Dimensional & Ordering Information:**

Part No.	2504T0X-BX	2504T0X-CX
Wire Range	AWG #22~#28	
Insulation O.D.	1.2~1.7mm	
Material	Copper alloy	
Finish	Tin-Plated	Gold-Plated
Qty / reel	10,000 pcs	

Note: \* (eg. 0, A, B...) designates Au-plate thickness identification.  
For availability, delivery and MOQ, Please contact CKM.

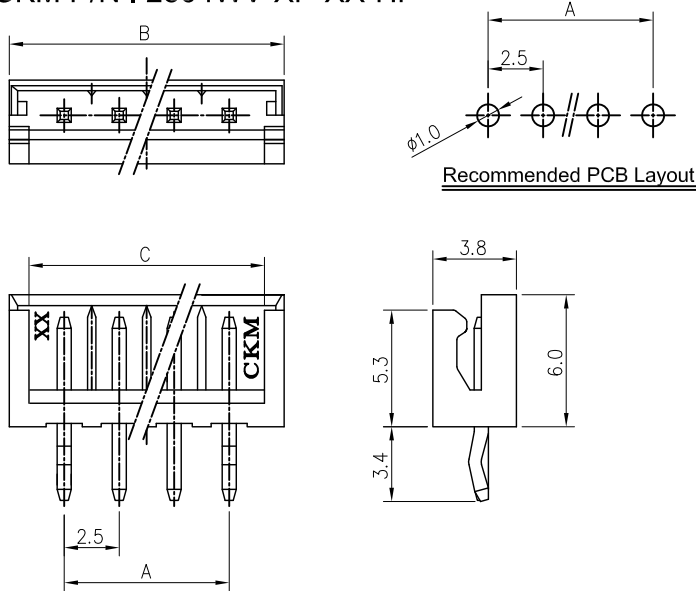
# 2504 Series

2.50mm[.098] pitch wafer (Vertical-DIP Type)



### Features:

- \* Single Row Vertical-DIP Type Wafer
- \* Material : Insulator: Nylon 66 UL 94V-0 (Natural)  
Contact Post: SQ. 0.64mm Brass, Tin plated
- \* Mates with CKM 2504 Series socket
- \* CKM P/N : 2504WV-XP-XX-HF



### Dimensional & Ordering Information:

POS	Dimensions		
	A	B	C
2	2.5	7.5	5.7
3	5.0	10.0	8.2
4	7.5	12.5	10.7
5	10.0	15.0	13.2
6	12.5	17.5	15.7
7	15.0	20.0	18.2
8	17.5	22.5	20.7
9	20.0	25.0	23.2
10	22.5	27.5	25.7
11	25.0	30.0	28.2
12	27.5	32.5	30.7
13	30.0	35.0	33.2
14	32.5	37.5	35.7
15	35.0	40.0	38.2

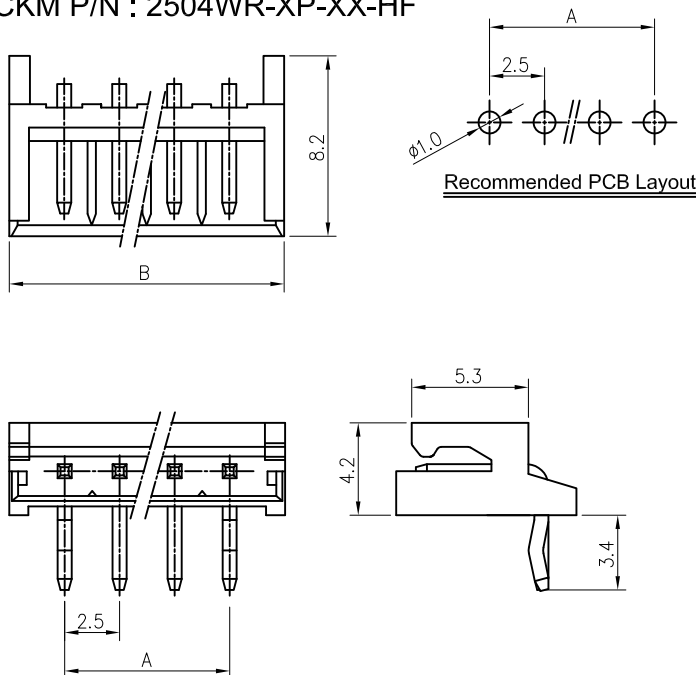
Note: X (eg. A, XX...) Designates Color, Material, identification.  
For availability, delivery and MOQ, Please contact CKM.

# 2504 Series

2.50mm[.098] pitch wafer (Right Angle-DIP Type)

### Features:

- \* Single Row Right Angle-DIP Type Wafer
- \* Material : Insulator: Nylon 66 UL 94V-0 (Natural)  
Contact Post: SQ. 0.64mm Brass, Tin plated
- \* Mates with CKM 2504 Series socket
- \* CKM P/N : 2504WR-XP-XX-HF



### Dimensional & Ordering Information:

POS	Dimensions	
	A	B
2	2.5	7.5
3	5.0	10.0
4	7.5	12.5
5	10.0	15.0
6	12.5	17.5
7	15.0	20.0
8	17.5	22.5
9	20.0	25.0
10	22.5	27.5
11	25.0	30.0
12	27.5	32.5
13	30.0	35.0
14	32.5	37.5
15	35.0	40.0

Note: X (eg. A, XX...) Designates Color, Material, identification.  
For availability, delivery and MOQ, Please contact CKM.