

### Specifications:

Circuit	2~15 Poles
Pitch between poles	1.25mm
Rated Voltage	50V AC,DC
Rated Current	1.2A (AWG #26)
Withstand Voltage	250V AC/minute
Contact Resistance	30mΩ Max.
Insulation Resistance	100MΩ Min.
Temperature Range	-40°~+85°C
Applicable Wire Range	AWG #30~#26

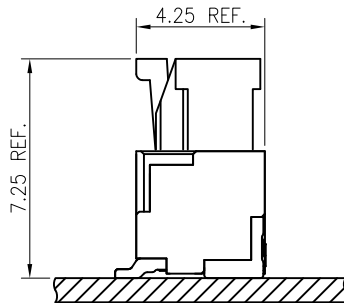
 UL: Recognized No. E186634

 RoHS-Specification

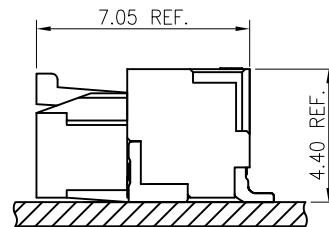
 Halogen-free products

### Assembly Layout

Vertical Type



Right Angle Type



### Ordering Code

① ② ③ ④ ⑤  
1258 H -XP -X -HF

- ① Series No.
- ② Housing
- ③ No. of circuits: 2~15
- ④ Color Code: Blank(Natural) or A(Black)
- ⑤ HF: Halogen Free

① ② ③④ ⑤  
1258 T -0P -XX

- ① Series No.
- ② Terminal
- ③ Crimp Type: 0=Standart Type
- ④ Material: P=Phosphor bronze
- ⑤ Plated Code: B2=Post-Tin Plated  
C=Gold Flash Plated

① ②③④ ⑤ ⑥⑦ ⑧  
1258 WXS -XP -XX -HF

- ① Series No.
- ② Wafer
- ③ Entry Type: WV=Vertical  
WR=Right angle
- ④ Solder Type: S=SMT Type
- ⑤ No. of circuits: 2~15
- ⑥ Plating code: A=Matte Tin  
C=Gold
- ⑦ Color Code: Blank(Natural) or A(Black)
- ⑧ HF: Halogen Free

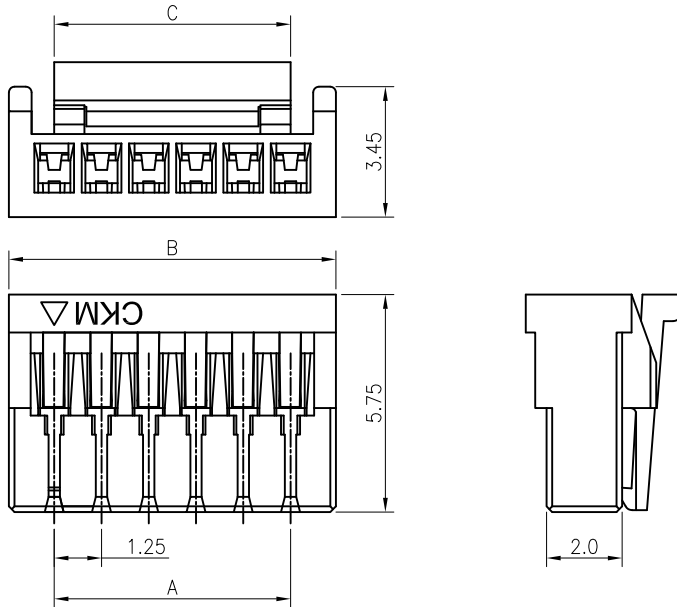
# 1258 Series

1.25mm[.049] pitch Crimp Terminal Socket



**Features:**

- \* Single Row Terminal Socket
- \* Material : Nylon 66 UL 94V-0 (Natural)
- \* Suitable for CKM 1258 series terminal
- \* CKM P/N : 1258H-XP-X-XX



**Dimensional & Ordering Information:**

POS	Dimensions		
	A	B	C
2		3.65	1.90
3	2.50	4.90	3.00
4	3.75	6.15	4.25
5	5.00	7.40	4.25
6	6.25	8.65	6.25
7	7.50	9.90	6.25
8	8.75	11.15	6.25
9	10.00	12.40	6.25
10	11.25	13.65	8.20
11	12.50	14.90	8.20
12	13.75	16.15	8.20
13	15.00	17.40	8.20
14	16.25	18.65	8.20
15	17.50	19.90	8.20

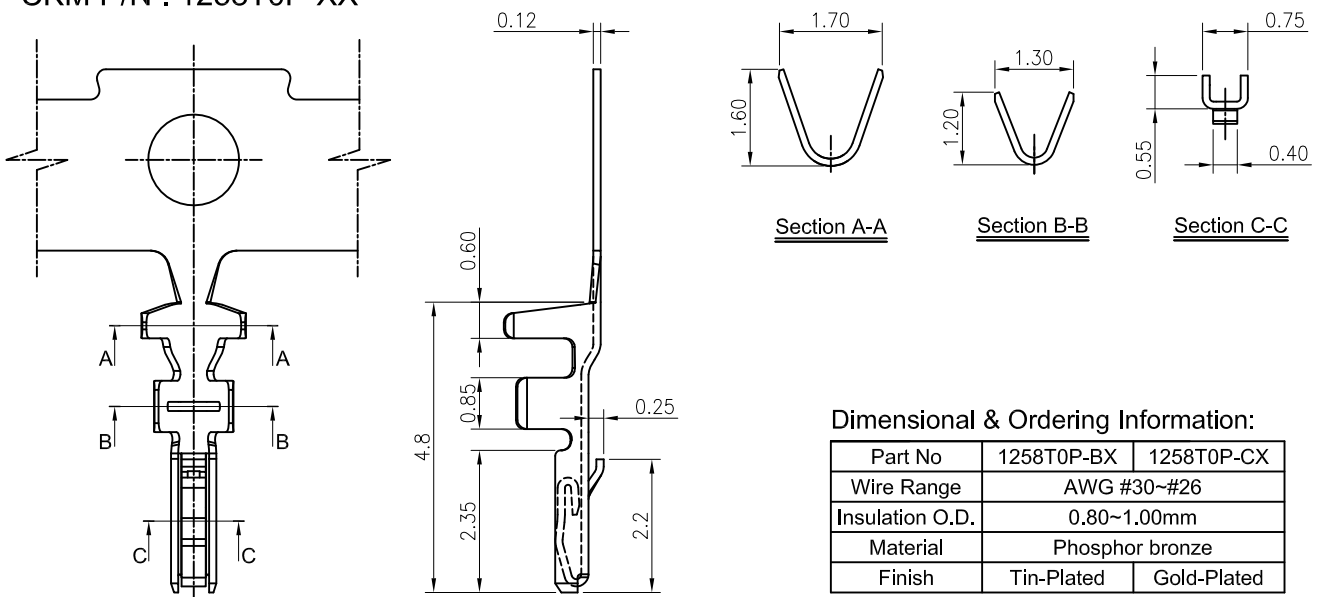
Note: X (eg. A, XX...) Designates Color, Material, Identification.  
For availability, delivery and MOQ, Please contact CKM.

# 1258 Series

1.25mm[.049] pitch Crimp Terminal

**Features:**

- \* Used in CKM 1258 series socket
- \* Material : 0.12mm thick Phosphor bronze, Tin or Gold-plated
- \* CKM P/N : 1258T0P-XX



**Dimensional & Ordering Information:**

Part No	1258T0P-BX	1258T0P-CX
Wire Range	AWG #30~#26	
Insulation O.D.	0.80~1.00mm	
Material	Phosphor bronze	
Finish	Tin-Plated	Gold-Plated

Note: \* (eg. 0, A, B...) designates Au-plate thickness identification.  
For availability, delivery and MOQ, Please contact CKM.

# 1258 Series

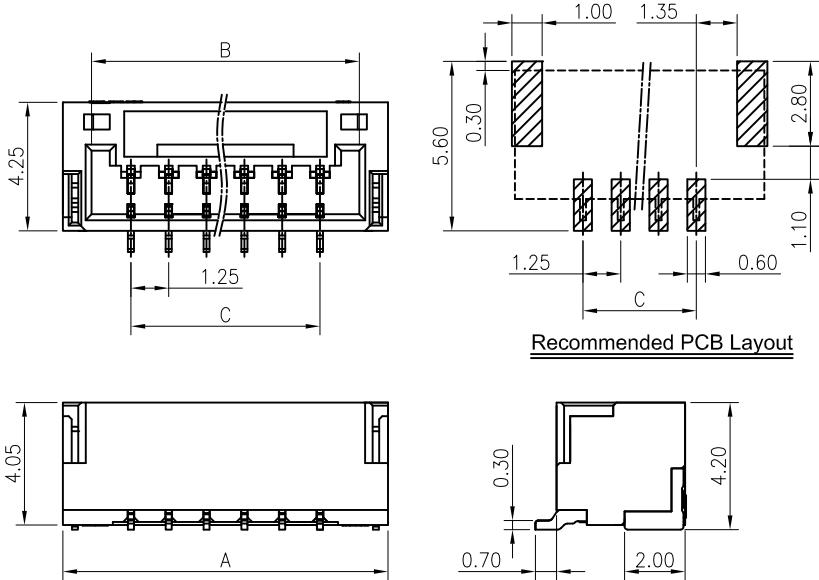
1.25mm[.049] pitch Wafer (Vertical-SMT Type)



## Features:

- \* Single Row Vertical-SMT Type Wafer
- \* Material : Insulator: High Temp Thermoplastic UL 94V-0 (Natural)  
Contact Post: 0.20mm thick Copper alloy, Tin or Gold-plated  
Solder Tab: 0.20mm thick Copper alloy, Tin-plated
- \* Mates with CKM 1258 series socket
- \* CKM P/N : 1258WVS-XP-XX-HF

## Dimensional & Ordering Information:



POS	Dimensions		
	A	B	C
2	5.75	3.85	/
3	7.00	5.10	2.50
4	8.25	6.35	3.75
5	9.50	7.60	5.00
6	10.75	8.85	6.25
7	12.00	10.10	7.50
8	13.25	11.35	8.75
9	14.50	12.60	10.00
10	15.75	13.85	11.25
11	17.00	15.10	12.50
12	18.25	16.35	13.75
13	19.50	17.60	15.00
14	20.75	18.85	16.25
15	22.00	20.10	17.50

Note: X (eg. A, XX...) Designates Color, Material, Identification.  
For availability, delivery and MOQ, Please contact CKM.

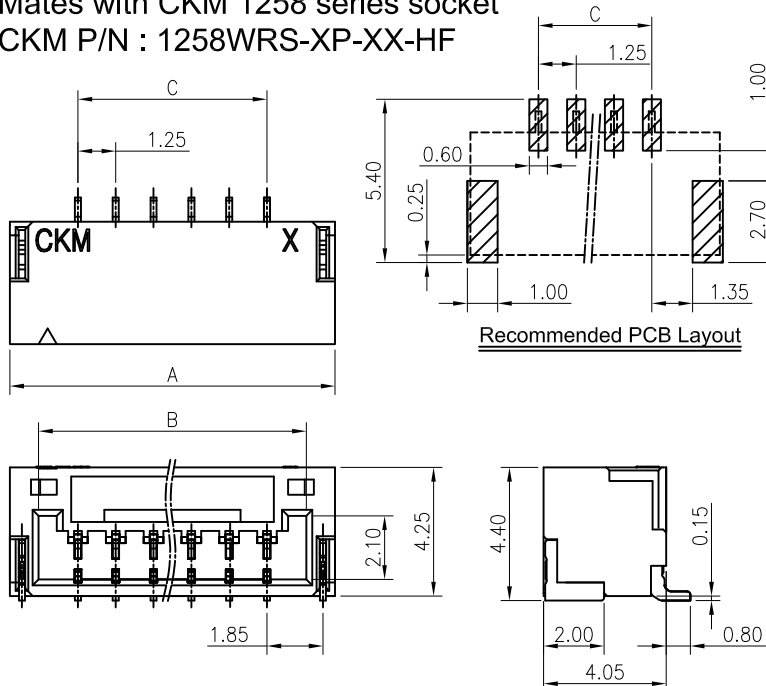
# 1258 Series

1.25mm[.049] pitch Wafer (Right Angle-SMT Type)

## Features:

- \* Single Row Right Angle-SMT Type Wafer
- \* Material : Insulator: High Temp Thermoplastic UL 94V-0 (Natural)  
Contact Post: 0.20mm thick Copper alloy, Tin or Gold-plated  
Solder Tab: 0.20mm thick Copper alloy, Tin-plated
- \* Mates with CKM 1258 series socket
- \* CKM P/N : 1258WRS-XP-XX-HF

## Dimensional & Ordering Information:



POS	Dimensions		
	A	B	C
2	5.75	3.85	/
3	7.00	5.10	2.50
4	8.25	6.35	3.75
5	9.50	7.60	5.00
6	10.75	8.85	6.25
7	12.00	10.10	7.50
8	13.25	11.35	8.75
9	14.50	12.60	10.00
10	15.75	13.85	11.25
11	17.00	15.10	12.50
12	18.25	16.35	13.75
13	19.50	17.60	15.00
14	20.75	18.85	16.25
15	22.00	20.10	17.50

Note: X (eg. A, XX...) Designates Color, Material, identification.  
For availability, delivery and MOQ, Please contact CKM.