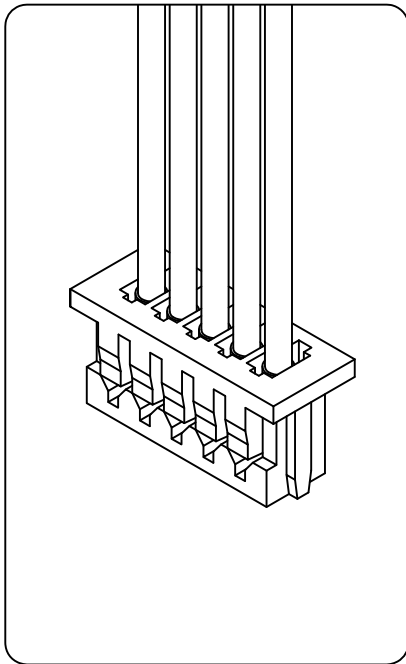


# 1251 Series

1.25mm[.049] pitch Wire to Board Connector



## Specifications:

Circuit	2~15 Poles
Pitch between poles	1.25mm
Rated Voltage	125V AC,DC
Rated Current	1A (AWG #28)
Withstand Voltage	250V AC/minute
Contact Resistance	20mΩ Max.
Insulation Resistance	100MΩ Min.
Temperature Range	-40°~+85°C
Applicable Wire Range	AWG #28~#32

UL: Recognized No. E186634

CSA: Certified No. LR110611

RoHS-Specification

Halogen-free products

## Ordering Code

① ② ③ ④ ⑤  
1251 H -XP -X -HF

- ① Series No.
- ② Housing
- ③ No. of circuits: 2~15
- ④ Color Code: Blank(Natural) or A(Black)
- ⑤ HF: Halogen Free (or not)

① ② ③④ ⑤  
1251 T 0P -XX

- ① Series No.
- ② Terminal
- ③ Crimp Type: 0=Standart Type
- ④ Material: P=Phosphor bronze
- ⑤ Plating Code: B2=Post-Tin Plated

# 1251 Series

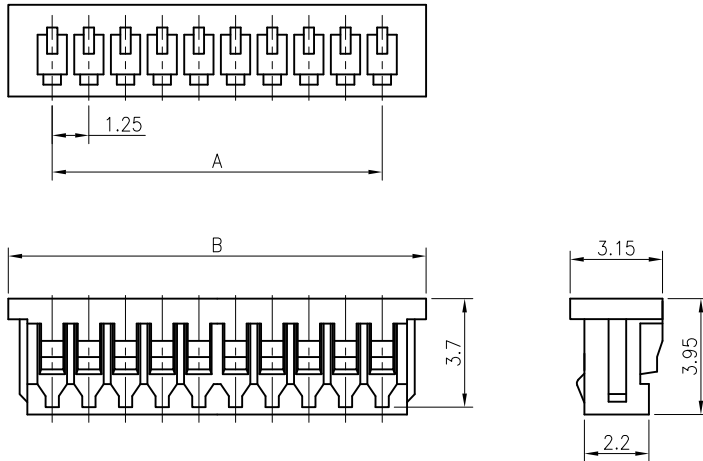
1.25mm[.049] pitch Crimp Terminal Socket



**Features:**

- \* Single Row Terminal Socket
- \* Material : Nylon 66 UL 94V-0 / PBT UL 94V-0 (Natural)
- \* Suitable for CKM 1251 series terminal
- \* CKM P/N : 1251H-XP-X-HF

**Dimensional & Ordering Information:**



POS	Dimensions	
	A	B
2	1.25	4.25
3	2.50	5.50
4	3.75	6.75
5	5.00	8.00
6	6.25	9.25
7	7.50	10.50
8	8.75	11.75
9	10.00	13.00
10	11.25	14.25
11	12.50	15.50
12	13.75	16.75
13	15.00	18.00
14	16.25	19.25
15	17.50	20.50

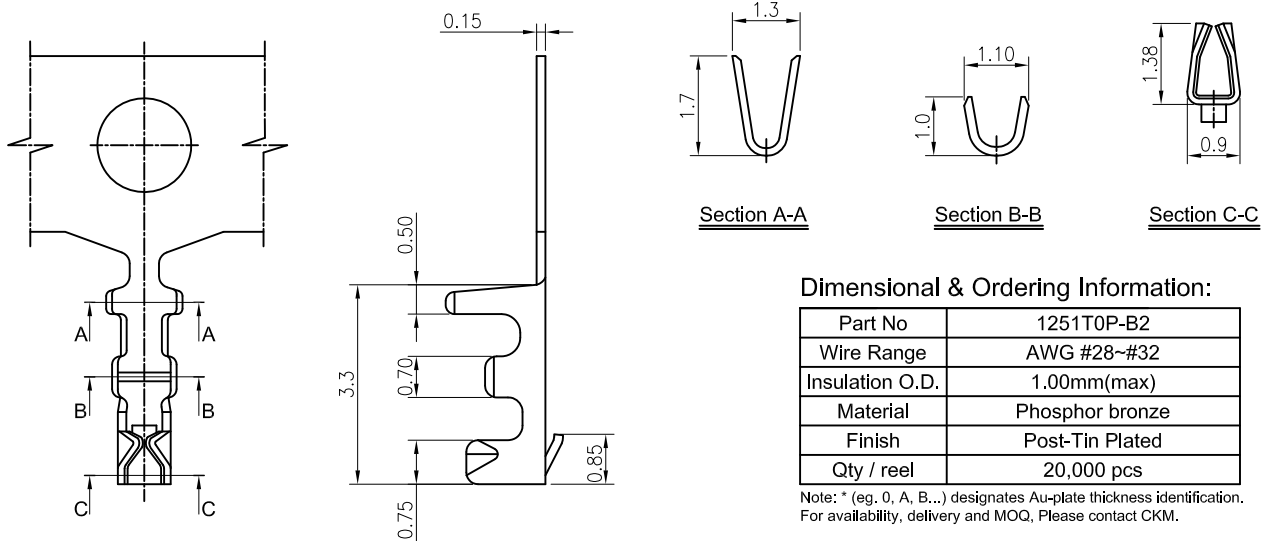
Note: X (eg. A, XX...) Designates Color, Material, identification.  
For availability, delivery and MOQ, Please contact CKM.

# 1251 Series

1.25mm[.049] pitch Crimp Terminal

**Features:**

- \* Used in CKM 1251 series socket
- \* Material : 0.15mm thick Phosphor bronze, Tin plated
- \* CKM P/N : 1251T0P-XX



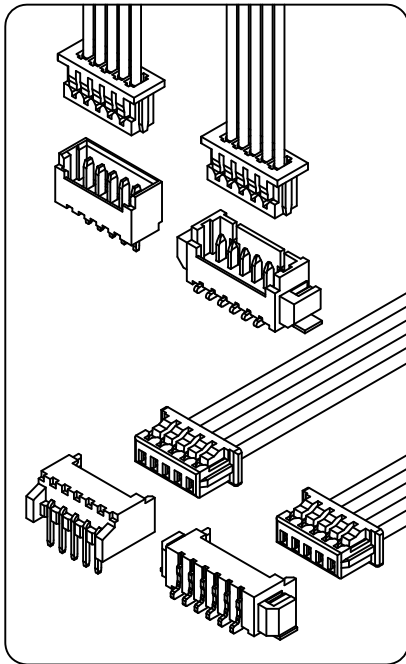
**Dimensional & Ordering Information:**

Part No	1251T0P-B2
Wire Range	AWG #28~#32
Insulation O.D.	1.00mm(max)
Material	Phosphor bronze
Finish	Post-Tin Plated
Qty / reel	20,000 pcs

Note: \* (eg. 0, A, B...) designates Au-plate thickness identification.  
For availability, delivery and MOQ, Please contact CKM.

# 1253 Series

1.25mm[.049] pitch Wire to Board Connector



## Specifications:

Circuit	2~15 Poles
Pitch between poles	1.25mm
Rated Voltage	250V AC,DC
Rated Current	1A (AWG #28)
Withstand Voltage	250V AC/minute
Contact Resistance	20mΩ Max.
Insulation Resistance	100MΩ Min.
Temperature Range	-40°~+105°C
Applicable Wire Range	AWG #28~#32

UL: Recognized No. E186634

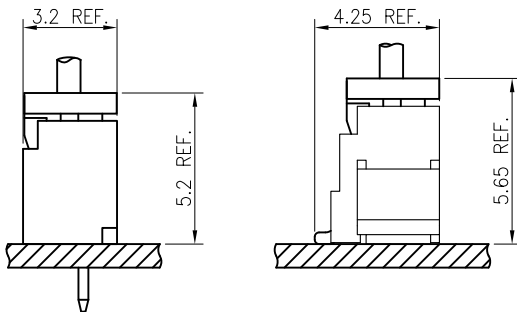
CSA: Certified No. LR110611

RoHS: Specification

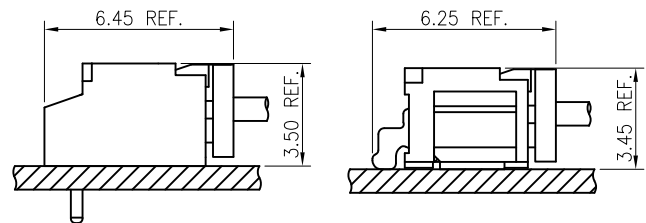
Halogen-free products

## Assembly Layout

Vertical Type



Right Angle Type



## Ordering Code

① ②③ ④ ⑤⑥ ⑦  
**1253 WX -XP -XX -HF**

- ① Series No.
- ② Wafer
- ③ Entry & Solder Type: WV=Vertical, DIP Type  
 WR=Right angle, DIP Type  
 WD=Vertical, SMT Type  
 WE=Right angle, SMT Type
- ④ No. of circuits: 2~15
- ⑤ Plating code: A=Matte Tin  
 B=Bright Tin  
 C=Gold
- ⑥ Color Code: Blank(Natural) or A(Black)
- ⑦ HF: Halogen Free (or not)

Note: \* (eg. A, B, X...) designates Plated thickness identification.  
 For availability, delivery, color and MOQ, contact CKM.

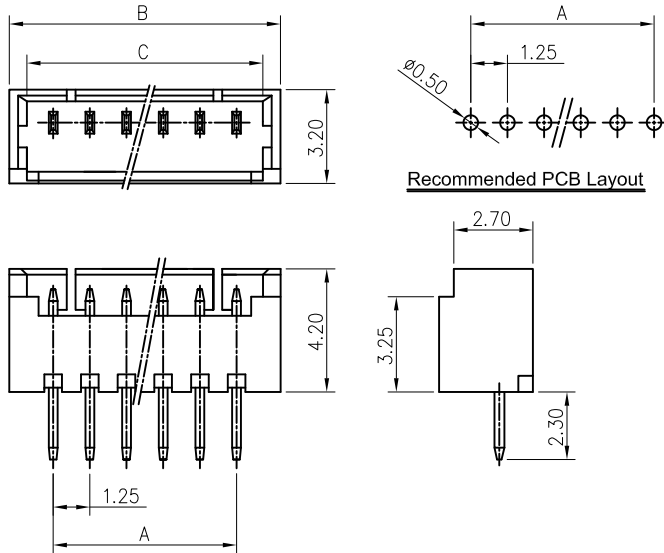
# 1253 Series

1.25mm[.049] pitch wafer (Vertical-DIP Type)



### Features:

- \* Single Row Vertical-DIP Type Wafer
- \* Material : Insulator: Thermoplastic UL 94V-0 (Natural)  
Contact Post: 0.30mm thick Phosphor bronze, Tin or Gold-plated
- \* Mates with CKM 1251 Series socket
- \* CKM P/N : 1253WV-XP-XX-HF



### Dimensional & Ordering Information:

POS	Dimensions		
	A	B	C
2	1.25	4.25	3.05
3	2.50	5.50	4.30
4	3.75	6.75	5.55
5	5.00	8.00	6.80
6	6.25	9.25	8.05
7	7.50	10.50	9.30
8	8.75	11.75	10.55
9	10.00	13.00	11.80
10	11.25	14.25	13.05
11	12.50	15.50	14.30
12	13.75	16.75	15.55
13	15.00	18.00	16.80
14	16.25	19.25	18.05
15	17.50	20.50	19.30

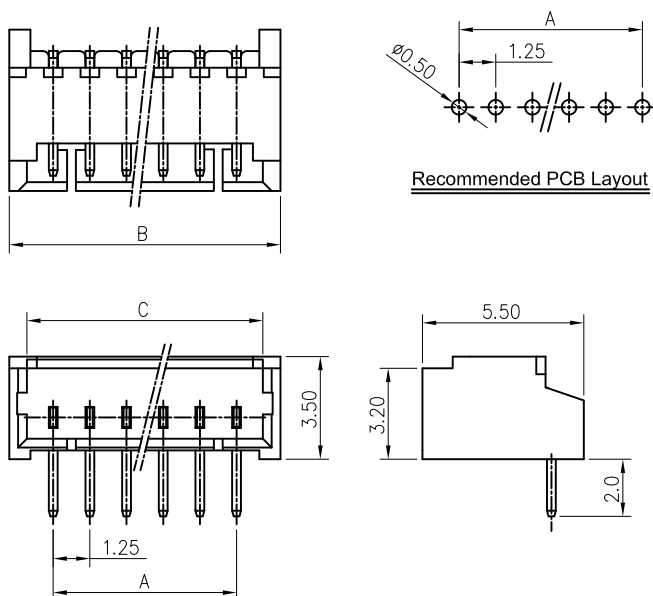
Note: X (eg. A, XX...) Designates Color, Material, identification.  
For availability, delivery and MOQ, Please contact CKM.

# 1253 Series

1.25mm[.049] pitch wafer (Right Angle-DIP Type)

### Features:

- \* Single Row Right Angle-DIP Type Wafer
- \* Material : Insulator: Thermoplastic UL 94V-0 (Natural)  
Contact Post: 0.30mm thick Phosphor bronze, Tin or Gold-plated
- \* Mates with CKM 1251 Series socket
- \* CKM P/N : 1253WR-XP-XX-HF



### Dimensional & Ordering Information:

POS	Dimensions		
	A	B	C
2	1.25	4.25	3.05
3	2.50	5.50	4.30
4	3.75	6.75	5.55
5	5.00	8.00	6.80
6	6.25	9.25	8.05
7	7.50	10.50	9.30
8	8.75	11.75	10.55
9	10.00	13.00	11.80
10	11.25	14.25	13.05
11	12.50	15.50	14.30
12	13.75	16.75	15.55
13	15.00	18.00	16.80
14	16.25	19.25	18.05
15	17.50	20.50	19.30

Note: X (eg. A, XX...) Designates Color, Material, identification.  
For availability, delivery and MOQ, Please contact CKM.

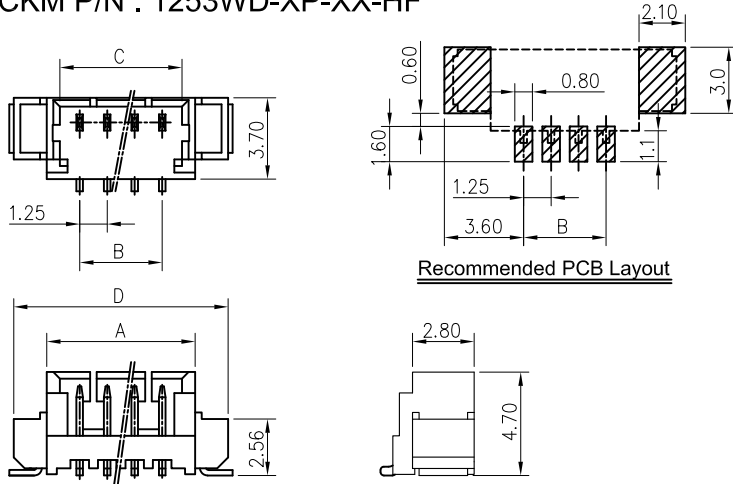
# 1253 Series

1.25mm[.049] pitch wafer (Vertical-DIP Type)



### Features:

- \* Single Row Vertical-SMT Type Wafer
- \* Material : Insulator: High Temp Thermoplastic UL 94V-0 (Natural)  
Contact Post: 0.30mm thick Phosphor bronze, Tin or Gold-plated  
Solder Tab: 0.25mm thick Phosphor bronze, Tin-plated
- \* Mates with CKM 1251 series socket
- \* CKM P/N : 1253WD-XP-XX-HF



### Dimensional & Ordering Information:

POS	Dimensions			
	A	B	C	D
2	4.25		3.05	7.25
3	5.50	2.50	4.30	8.50
4	6.75	3.75	5.55	9.75
5	8.00	5.00	6.80	11.00
6	9.25	6.25	8.05	12.25
7	10.50	7.50	9.30	13.50
8	11.75	8.75	10.55	14.75
9	13.00	10.00	11.80	16.00
10	14.25	11.25	13.05	17.25
11	15.50	12.50	14.30	18.50
12	16.75	13.75	15.55	19.75
13	18.00	15.00	16.80	21.00
14	19.25	16.25	18.05	22.25
15	20.50	17.50	19.30	23.50

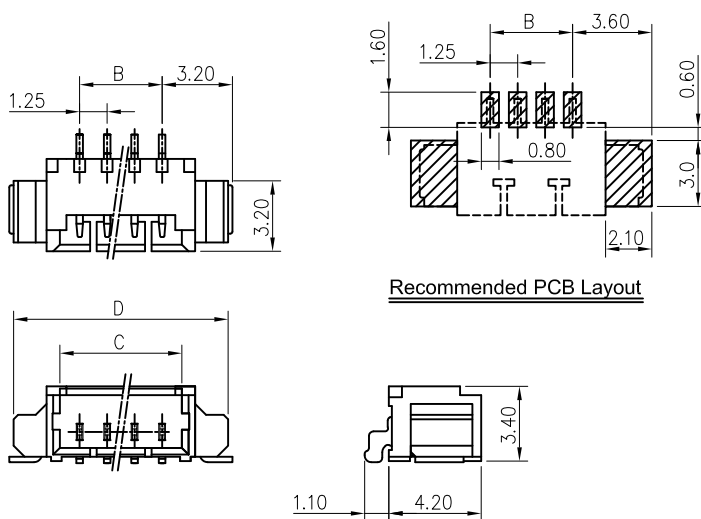
Note: X (eg. A, XX...) Designates Color, Material, identification.  
For availability, delivery and MOQ, Please contact CKM.

# 1253 Series

1.25mm[.049] pitch wafer (Right Angle-SMT Type)

### Features:

- \* Single Row Right Angle-SMT Type Wafer
- \* Material : Insulator: High Temp Thermoplastic UL 94V-0 (Natural)  
Contact Post: 0.30mm thick Phosphor bronze, Tin or Gold-plated  
Solder Tab: 0.25mm thick Phosphor bronze, Tin-plated
- \* Mates with CKM 1251 series socket
- \* CKM P/N : 1253WE-XP-XX-HF



### Dimensional & Ordering Information:

POS	Dimensions			
	A	B	C	D
2	4.25		3.05	7.25
3	5.50	2.50	4.30	8.50
4	6.75	3.75	5.55	9.75
5	8.00	5.00	6.80	11.00
6	9.25	6.25	8.05	12.25
7	10.50	7.50	9.30	13.50
8	11.75	8.75	10.55	14.75
9	13.00	10.00	11.80	16.00
10	14.25	11.25	13.05	17.25
11	15.50	12.50	14.30	18.50
12	16.75	13.75	15.55	19.75
13	18.00	15.00	16.80	21.00
14	19.25	16.25	18.05	22.25
15	20.50	17.50	19.30	23.50

Note: X (eg. A, XX...) Designates Color, Material, identification.  
For availability, delivery and MOQ, Please contact CKM.