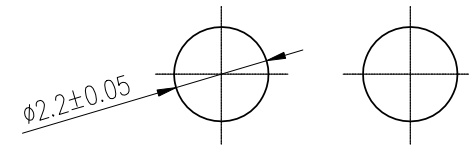
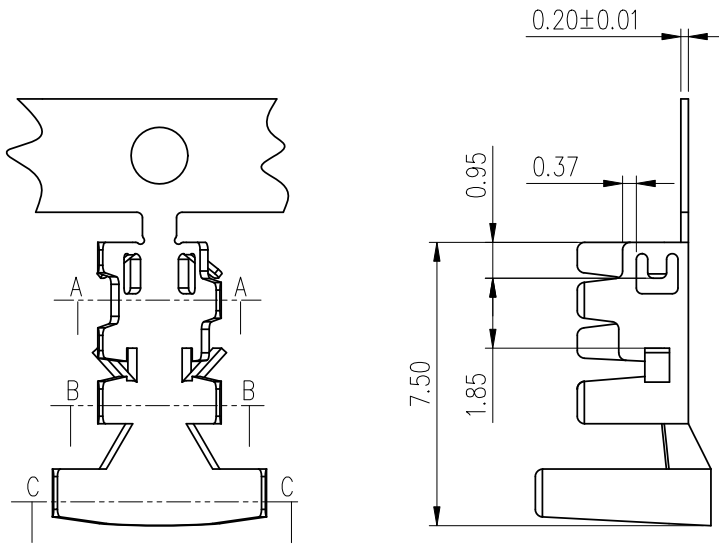
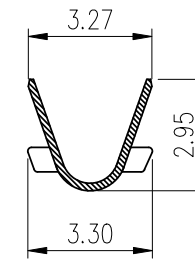


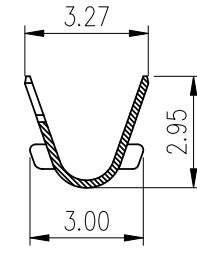
RoHS



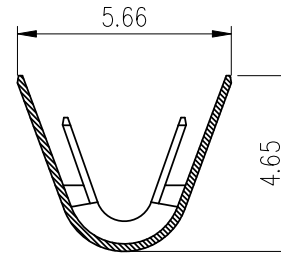
RECOMMENDED PCB LAYOUT
P.C.B THICKNESS 1.60mm



SECTION B-B



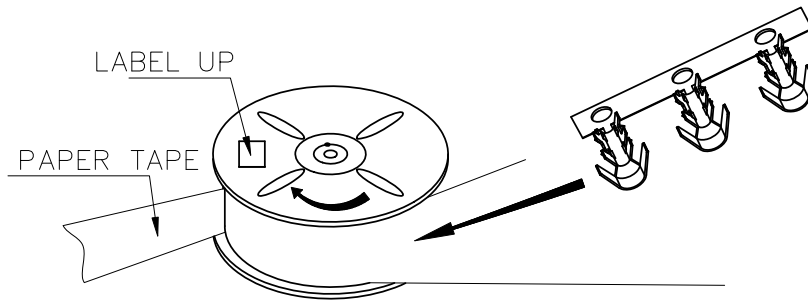
SECTION A-A



SECTION C-C


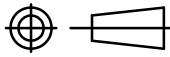
NOTE:

1. MATERIAL: PHOSPHOR BRONZE
2. FINISH: MATTE TIN PLATED
3. APPLICABLE WIRES: AWG #16~AWG #18
4. INSULATION O.D.: 3.05mm~3.75mm



REELING DIRECTION

CKM
2016.01.08
研發部

TOLERANCE		PART NO.		 朝貴電子股份有限公司 CKM ELECTRONICS CO., LTD.		
X.	X.XXX ±0.10	99560301				
X.X	±0.30	DRAWING NO.		DESCRIPTION		
X.XX	±0.20	C-99560301		Ø2.2mm BOARD-IN TERMINAL		
 UNIT: mm		APPROVED BY	CHECKED BY	DRAWN BY	PAGE	REV.
DWG TYPE.		Angus chen	Sun Lee	Baohua Lee	1 OF 1	C
Customer Drawing		2015.10.05	2015.10.05	2015.10.05	SCALE	
				5 : 1		

C		UPDATE FRAME	Baohua	2015.09.26
B	EC-14040200	EC. STRUCTURE	Baohua	2014.04.04
REV.	ECN NO	REVISION RECORD	DRAW	DATE