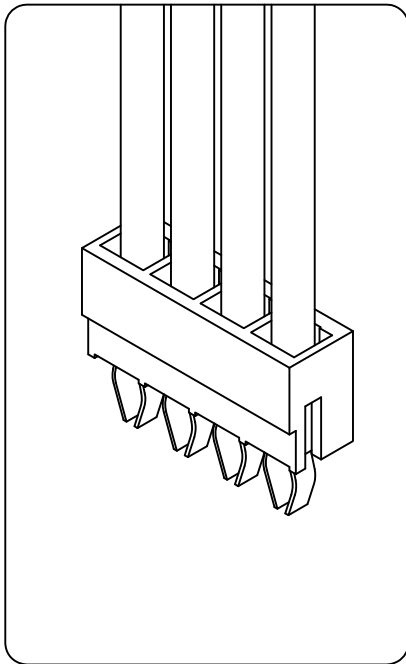


9905 Series

3.96mm[.155] pitch Board-in Connector



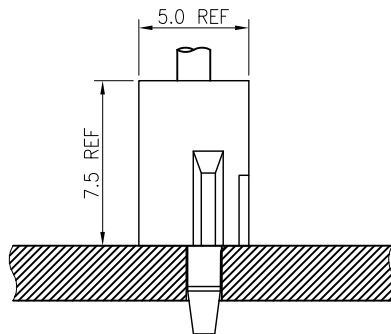
Specifications:

Circuit	2~15 Poles
Pitch between poles	3.96mm
Rated Voltage	250V AC,DC
Rated Current	7A (AWG #18)
Withstand Voltage	800V AC/minute
Contact Resistance	20mΩ Max.
Insulation Resistance	1000MΩ Min.
Temperature Range	-25°~+85°C
Applicable Wire Range	AWG #18~#22

RoHS-Specification

Assembly Layout

Vertical Type



Ordering Code

① ② ③
9905 **0101** **-XX**

- ① Series No.
- ② Housing
- ③ No. of circuits: 2~15

① ②
9905 **0301**

- ① Series No.
- ② Terminal

Note: * (eg. A, B, X...) designates Plated thickness identification.
 For availability, delivery, color and MOQ, contact CKM.

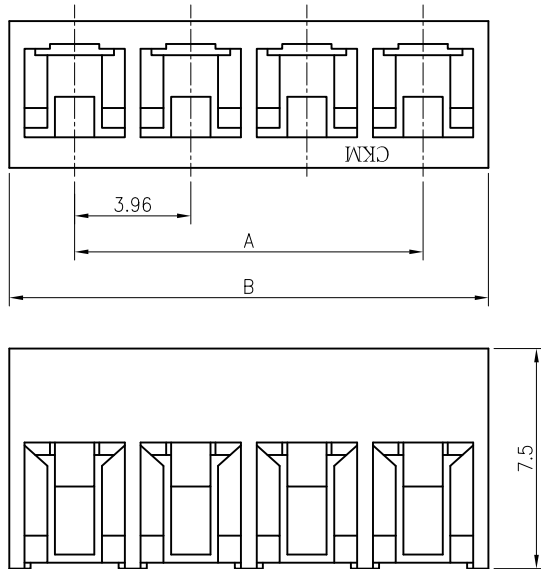
9905 Series

3.96mm[.155] pitch Crimp Terminal Socket

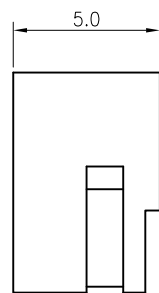


Features:

- * Single Row Terminal Socket
- * Material : Nylon 66 UL 94V-0
- * Suitable for CKM 9905 series terminal
- * CKM P/N : 99050101-XX



POS	Dimensions	
	A	B
2	3.96	8.52
3	7.92	12.48
4	11.88	16.44
5	15.84	20.40
6	19.80	24.36
7	23.76	28.32
8	27.72	32.28
9	31.68	36.24
10	35.64	40.20
11	39.60	44.16
12	43.56	48.12
13	47.52	52.08
14	51.48	56.04
15	55.44	60.00

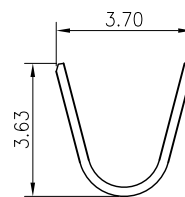
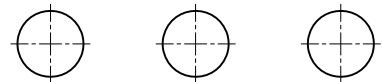
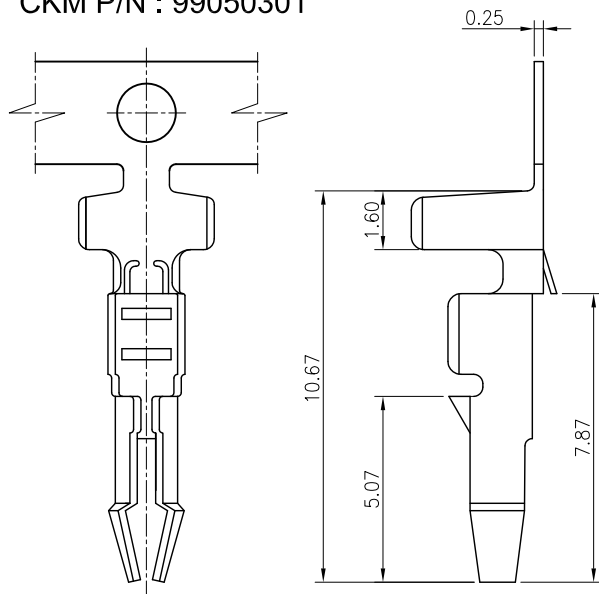


9905 Series

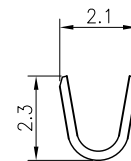
3.96mm[.155] pitch Crimp Terminal

Features:

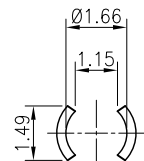
- * Used in CKM 9905 series socket
- * Material : 0.25mm thick Copper alloy, Tin plated
- * CKM P/N : 99050301



Section A-A



Section B-B



Section C-C

Dimensional & Ordering Information:

Part No	99050301
Wire Range	AWG #18~#22
Insulation O.D.	1.7~2.1mm
Material	Phosphor bronze
Finish	Tin-Plated
Qty / reel	NA

Note: * For availability, delivery and MOQ, Please contact CKM.