

Specifications:

Circuit	2~17 Poles
Pitch between poles	2.0mm
Rated Voltage	125V AC,DC
Rated Current	1A (AWG #28)
Withstand Voltage	250V AC/minute
Contact Resistance	20mΩ Max.
Insulation Resistance	100MΩ Min.
Temperature Range	-40°~+85°C
Applicable Wire Range	AWG #28~#32

UL: Recognized No. E144544

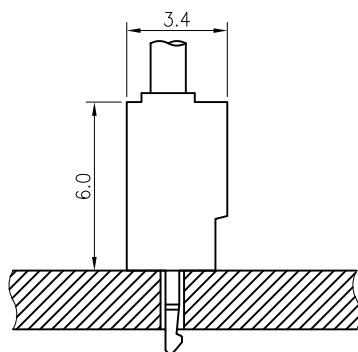
CSA: Certified No. LR78619

RoHS-Specification

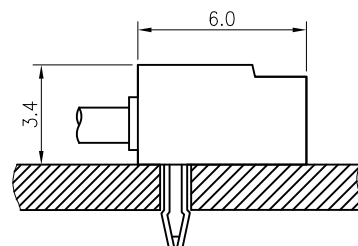
Halogen-free products

Assembly Layout

Vertical Type



Right Angle Type



Ordering Code

① ②③ ④ ⑤ ⑥
2002 HX -XP -X -HF

- ① Series No.
- ② Housing
- ③ Entry Type: HV=Vertical Type, HR=Right Angle Type,
- ④ No. of circuits: 2~16
- ⑤ Color Code: Blank(Natural) or A(Black)
- ⑥ HF: Halogen Free (or not)

① ② ③④ ⑤
2002 T XX -XX

- ① Series No.
- ② Terminal
- ③ Crimp Type: 0=Vertical Type, R=Right Angle Type,
- ④ Material: B=Brass, P=Phosphor bronze
- ⑤ Plating Code: B1=Per-Tin Plated B2=Post-Tin Plated

Note: * (eg. A, B, X...) designates Plated thickness identification. For availability, delivery, color and MOQ, contact CKM.

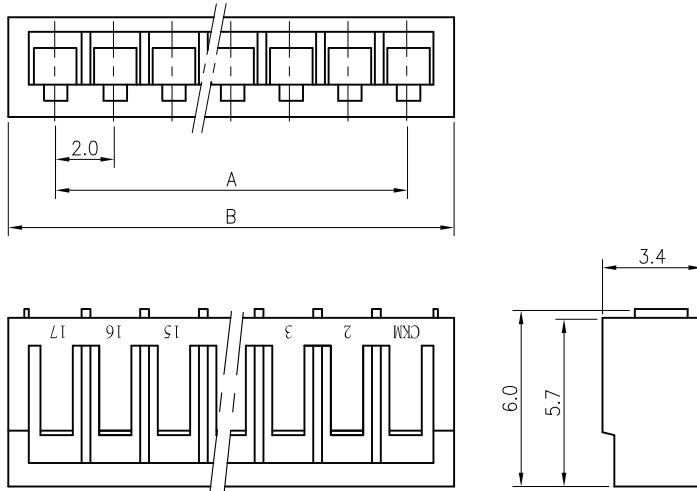
2002 Series

2.0mm[.079] pitch Crimp Terminal Socket



Features:

- * Single Row Vertical type Terminal Socket
- * Material : Nylon 66 UL 94V-0
- * Suitable for CKM 2002 series terminal
- * CKM P/N : 2002HV-XP-X-HF



Dimensional & Ordering Information:

POS	Dimensions	
	A	B
2	2.0	5.2
3	4.0	7.2
4	6.0	9.2
5	8.0	11.2
6	10.0	13.2
7	12.0	15.2
8	14.0	17.2
9	16.0	19.2
10	18.0	21.2
11	20.0	23.2
12	22.0	25.2
13	24.0	27.2
14	26.0	29.2
15	28.0	31.2
16	30.0	33.2

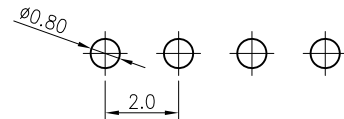
Note: X (eg. A, XX...) Designates Color, Material, identification.
For availability, delivery and MOQ, Please contact CKM.

2002 Series

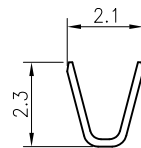
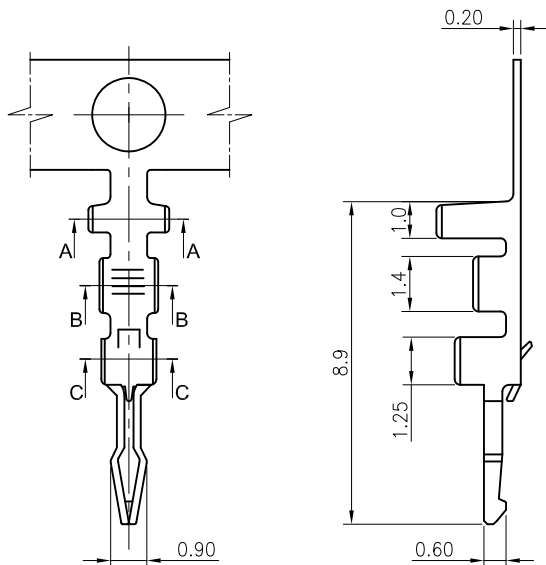
2.0mm[.079] pitch Crimp Board-in Terminal

Features:

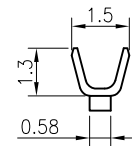
- * Used in CKM 2002 series socket (Vertical type)
- * Material : 0.20mm thick Copper alloy, Tin plated
- * CKM P/N : 2002T0P-XX



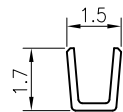
Recommended PCB Layout



Section A-A



Section B-B



Section C-C

Dimensional & Ordering Information:

Part No	2002T0P-BX	2002T0B-BX
Wire Range	AWG #24~#30	
Insulation O.D.	1.3mm~0.9mm	
Material	Phosphor bronze	Brass
Finish	Tin-Plated	
Qty / reel	10,000 pcs	

Note: * For availability, delivery and MOQ, Please contact CKM.

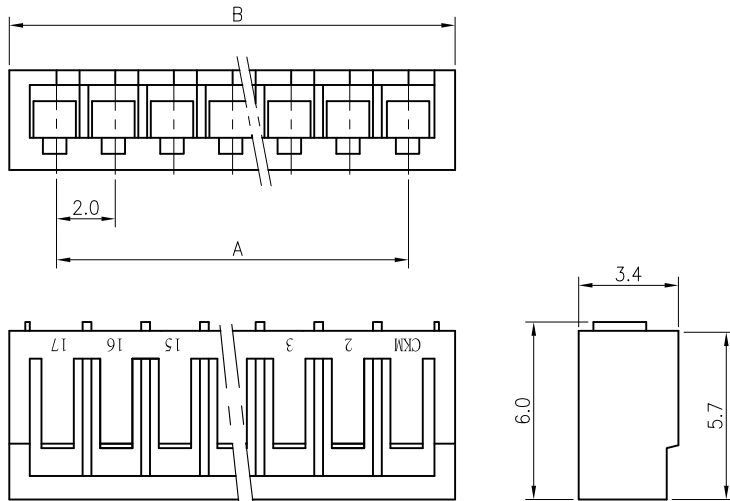
2002 Series

2.0mm[.079] pitch Crimp Terminal Socket



Features:

- * Single Row Right Angle type Terminal Socket
- * Material : Nylon 66 UL 94V-0
- * Suitable for CKM 2002 series terminal
- * CKM P/N : 2002HR-XP-X-HF



Dimensional & Ordering Information:

POS	Dimensions	
	A	B
2	2.0	5.2
3	4.0	7.2
4	6.0	9.2
5	8.0	11.2
6	10.0	13.2
7	12.0	15.2
8	14.0	17.2
9	16.0	19.2
10	18.0	21.2
11	20.0	23.2
12	22.0	25.2
13	24.0	27.2
14	26.0	29.2
15	28.0	31.2
16	30.0	33.2

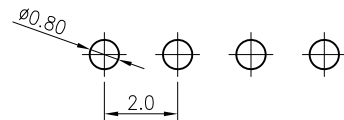
Note: X (eg. A, XX...) Designates Color, Material, identification.
For availability, delivery and MOQ, Please contact CKM.

2002 Series

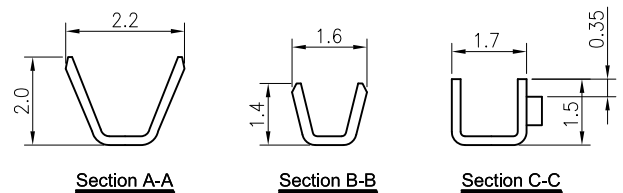
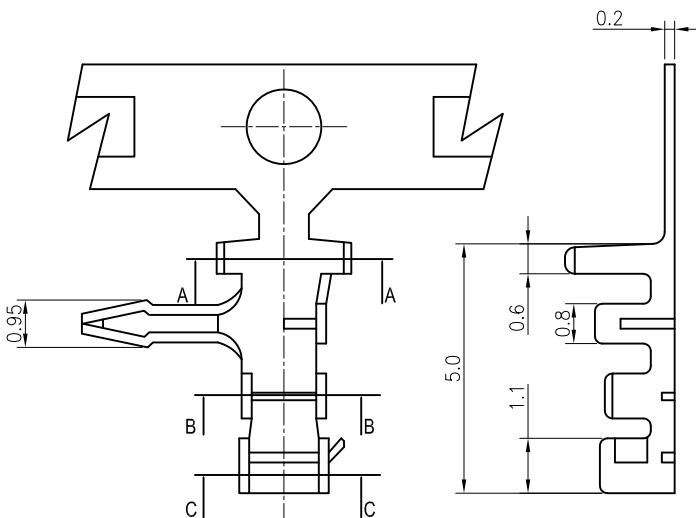
2.0mm[.079] pitch Crimp Board-in Terminal

Features:

- * Used in CKM 2002 series socket (Right Angle type)
- * Material : 0.20mm thick Copper alloy, Tin plated
- * CKM P/N : 2002TRX-XX



Recommended PCB Layout



Dimensional & Ordering Information:

Part No	2002TRP-BX	2002TRB-BX
Wire Range	AWG #24~#30	
Insulation O.D.	1.3mm~0.9mm	
Material	Phosphor bronze	Brass
Finish	Tin-Plated	
Qty / reel	10,000 pcs	

Note: * For availability, delivery and MOQ, Please contact CKM.