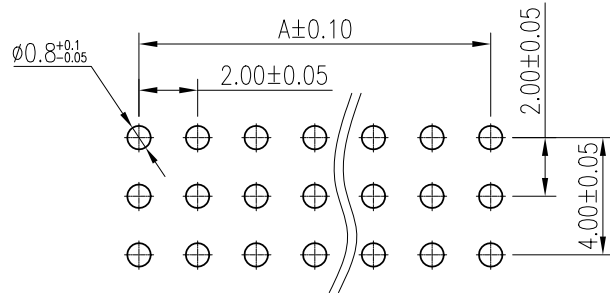
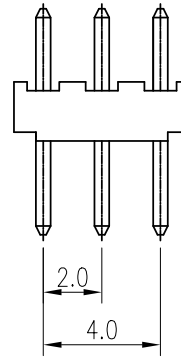
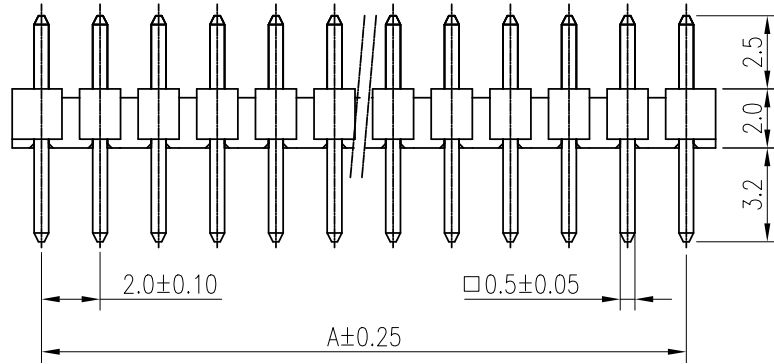
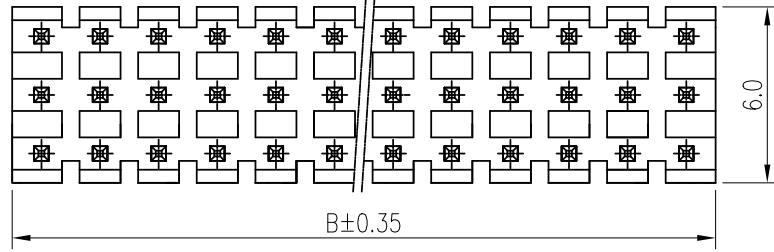


RoHS



CUST INFORMATION.

| | | |
|----------|-------------|------|
| PART NO. | DRAWING NO. | REV. |
|----------|-------------|------|



RECOMMEND PCB LAYOUT, TOLERANCE ±0.05
SUITABLE FOR PCB THK= 1.0~1.6MM

NOTE:

1. MATERIAL:

1.1. INSULATOR: NYLON 6T UL 94V-0 (BLACK)

1.2. CONTACT: SQ. 0.50mm BRASS

2. FINISH: GOLD FLASH PLATING

3. RoHS & HALOGEN-FREE COMPLIANCE

4. BILL OF PART NO.



20160205-XXHF-RP

CIRCUITS: 06~45

5. FOR AVAILABILITY, DELIVERY & MOQ, CONTACT CKM

6. DIMENSIONAL

| POS | A | B | POS | A | B |
|-----|------|------|-----|------|------|
| 06 | 2.0 | 4.0 | 27 | 16.0 | 18.0 |
| 09 | 4.0 | 6.0 | 30 | 18.0 | 20.0 |
| 12 | 6.0 | 8.0 | 33 | 20.0 | 22.0 |
| 15 | 8.0 | 10.0 | 36 | 22.0 | 24.0 |
| 18 | 10.0 | 12.0 | 39 | 24.0 | 26.0 |
| 21 | 12.0 | 14.0 | 42 | 26.0 | 28.0 |
| 24 | 14.0 | 16.0 | 45 | 28.0 | 30.0 |



| | | | | | |
|------------------|-------------|--------------------|--------------------|---|-----------------|
| TOLERANCE | | PART NO. | | 朝貴電子股份有限公司 | |
| X. X.XXX ±0.10 | | 20160205-XXHF-RP | | CKM ELECTRONICS CO., LTD. | |
| X.X ±0.30 | | DRAWING NO. | | TITLE: 2.0mm PIN HEADER, TRIPLE ROWS, VERTICAL DIP TYPE CONNECTOR | |
| X.XX ±0.20 | Angular ±2° | C-20160205-XXHF-RP | | | |
| | | UNIT: | APPROVED BY | CHECKED BY | DRAWN BY |
| | | mm | Ivan.su | Jimmy Wang | Jimmy Wang |
| DWG TYPE. | | | 2022.01.10 | 2022.01.10 | 2022.01.10 |
| Customer Drawing | | | | | |
| | | | PAGE | SCALE | REV. |
| | | | 1 OF 2 | 4 : 1 | B |

| | | | | |
|------|-------------|---------------------|------------|------------|
| B | EC-22011106 | ADD TO THE PART NO. | Jimmy Wang | 2022.01.10 |
| A | | NEW RELEASE | Jimmy Wang | 2019.09.18 |
| REV. | ECN NO | REVISION RECORD | DRAW | DATE |

RoHS

HF

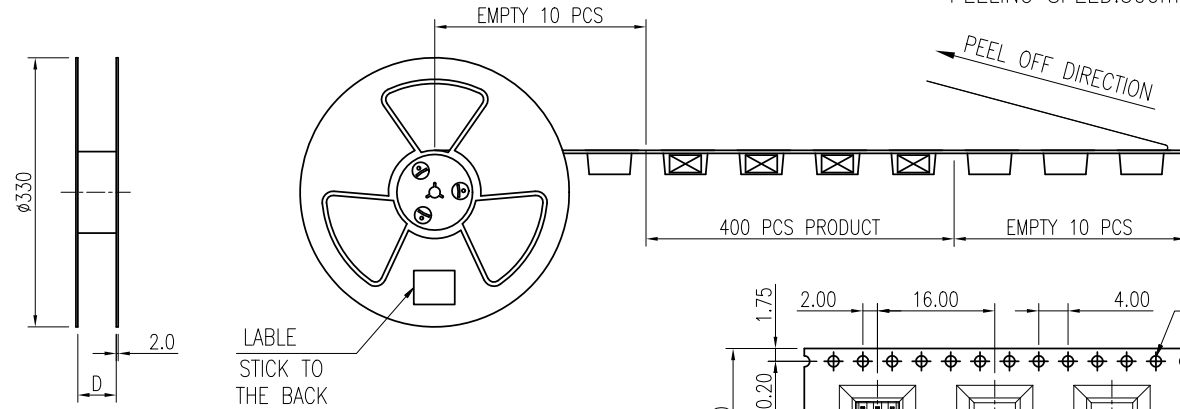
CUST INFORMATION.

| | | |
|----------|-------------|------|
| PART NO. | DRAWING NO. | REV. |
|----------|-------------|------|

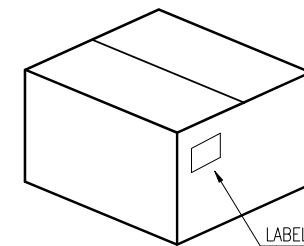
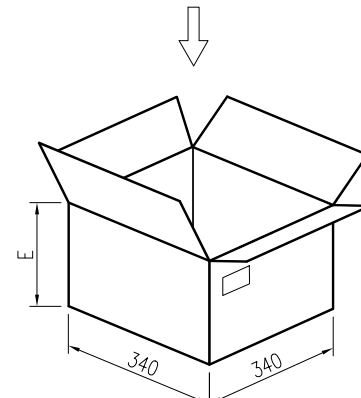
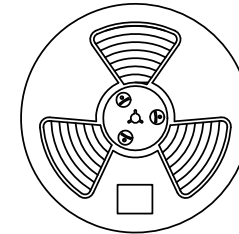
PEELING STRENGTH:10~130GF
PEELING SPEED:300mm/Min

A
B
C
D

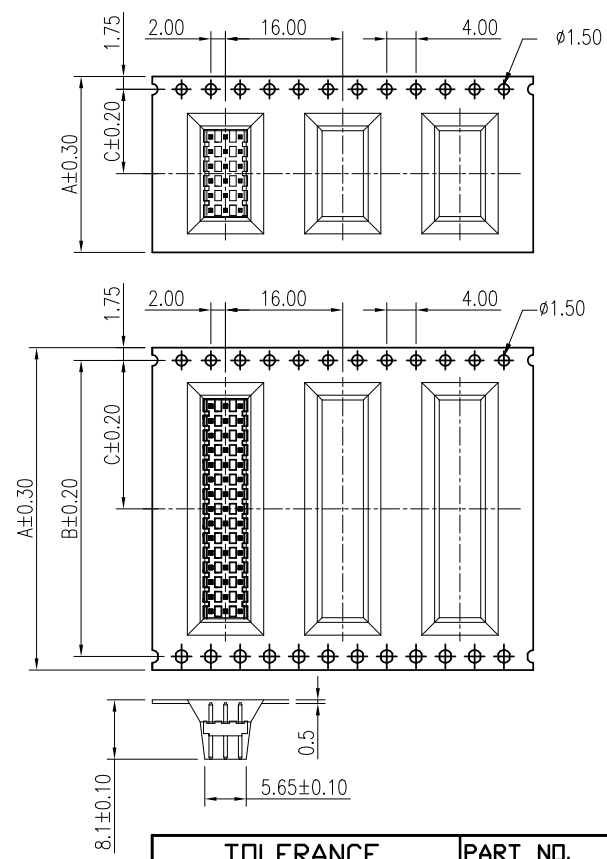
A
B
C
D



CKM
2022.01.12
研发部



| POS | A | B | C | D | E | PCS/REEL | PCS/CARTON |
|------|------|------|------|------|-----|----------|------------|
| 3x2 | | | | | | 400 | 1200 |
| 3x3 | | | | | | | |
| 3x4 | 24.0 | - | 11.5 | 30.0 | 120 | | |
| 3x5 | | | | | | | |
| 3x6 | | | | | | | |
| 3x7 | | | | | | | |
| 3x8 | 32.0 | 28.4 | 14.2 | 38.0 | 145 | | |
| 3x9 | | | | | | | |
| 3x10 | | | | | | | |
| 3x11 | 44.0 | 40.4 | 20.2 | 50.0 | 180 | | |
| 3x12 | | | | | | | |
| 3x13 | | | | | | | |
| 3x14 | | | | | | | |
| 3x15 | 56.0 | 52.4 | 26.2 | 62.0 | 220 | | |



| | | | | | |
|--|--|---|---|---|--|
| TOLERANCE X. X.XXX ±0.10 X.X ±0.30 X.XX ±0.20 Angular ±2° | | PART NO. 20160205-XXHF-RP | | 朝貴電子股份有限公司 CKM ELECTRONICS CO., LTD. | |
| | | DRAWING NO. C-20160205-XXHF-RP | | TITLE: 2.0mm PIN HEADER, TRIPLE ROWS, VERTICAL DIP TYPE CONNECTOR | |
| DWG TYPE. Customer Drawing | | APPROVED BY Ivan.su 2022.01.10 | CHECKED BY Jimmy Wang 2022.01.10 | DRAWN BY Jimmy Wang 2022.01.10 | PAGE 2 OF 2 SCALE 4 : 1 |
| | | | | | REV. B |

| | | | | |
|------|-------------|---------------------|------------|------------|
| B | EC-22011106 | ADD TO THE PART NO. | Jimmy Wang | 2022.01.10 |
| A | | NEW RELEASE | Jimmy Wang | 2019.09.18 |
| REV. | ECN NO | REVISION RECORD | DRAW | DATE |