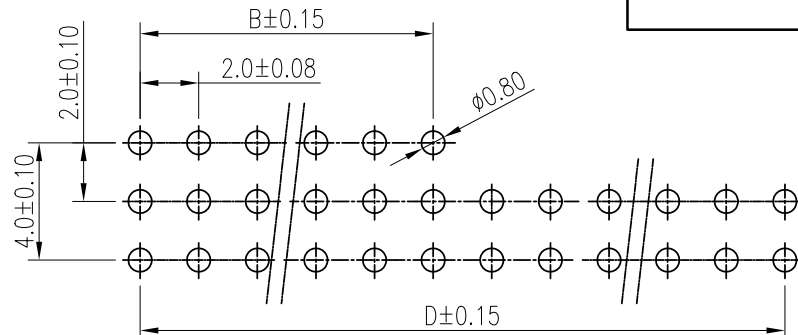
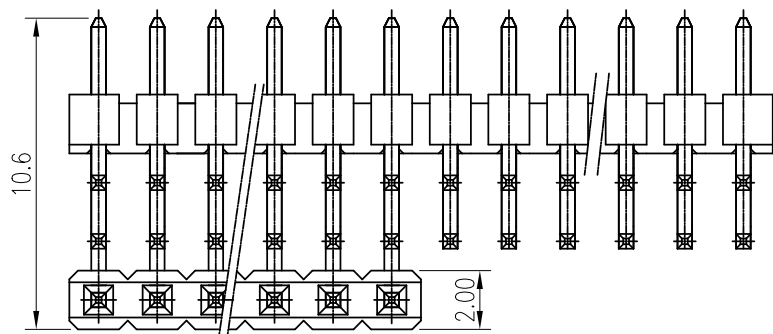
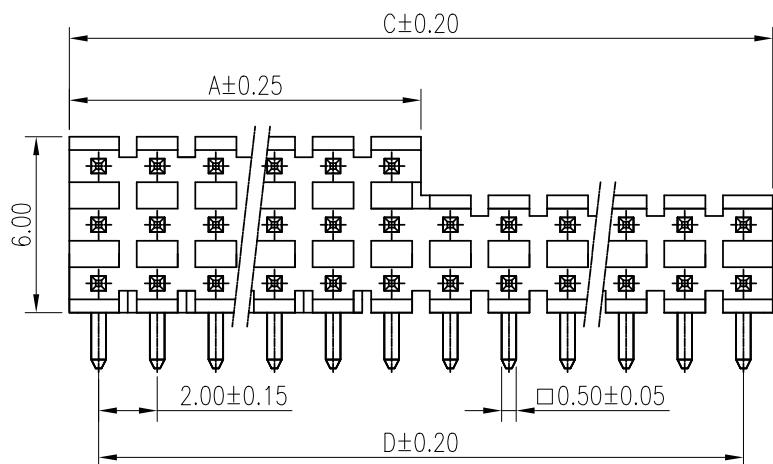


RoHS

HF

CUST INFORMATION.

PART NO.	DRAWING NO.	REV.
----------	-------------	------



Recommended PCB Layout  
Default tol: ±0.05mm (T=1.6mm)



NOTE:

1. MATERIAL:

1.1. INSULATOR: NYLON 6T UL 94V-0 (BLACK)

1.2. CONTACT: SQ. 0.50mm BRASS

2. FINISH: GOLD FLASH PLATING

3. RoHS & HOLOGEN-FREE COMPLIANCE

4. BILL OF PART NO.

20160202-XX-RP-HF

CIRCUIT:      REEL PACKAGE

△ 01=3x6+2x9

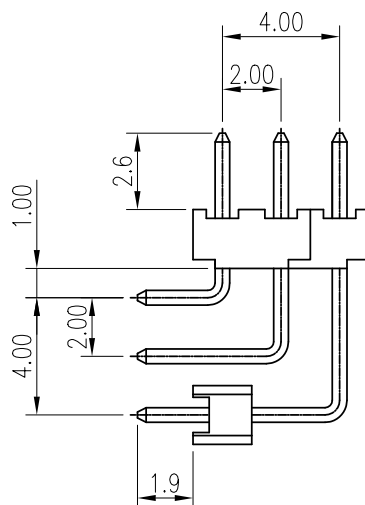
02=3x7+2x9

03=3x6+2x10

07=3x9+2x7

09=3x10+2x6

5. FOR CAVALABILITY, DELIVERY & MOQ, CONTACT CKM



CIRCUIT	A	B	C	D
01	12.0	10.0	30.0	28.0
02	14.0	12.0	32.0	30.0
03	12.0	10.0	32.0	30.0
07	18.0	16.0	32.0	30.0
09	20.0	18.0	32.0	30.0

<b>TOLERANCE</b>		<b>PART NO.</b>		朝貴電子股份有限公司	
X.                      X.XXX ±0.10		20160202-XX-RP-HF		CKM ELECTRONICS CO., LTD.	
X.X ±0.30		<b>DRAWING NO.</b>		<b>TITLE:</b> 2.0mm PITCH PIN HEADER,	
X.XX ±0.20	Angular ±2°	C-20160202-XX-RP-HF		TRIPLE ROWS, R/A, DIP TYPE CONNECTOR	
		<b>UNIT:</b>	<b>APPROVED BY</b>	<b>CHECKED BY</b>	<b>DRAWN BY</b>
		mm	Ivan Su	Lance Cheng	Jimmy Wang
<b>DWG TYPE.</b>			2021.10.25	2021.10.25	2021.10.25
Customer Drawing					
		<b>PAGE</b>	<b>SCALE</b>		<b>REV.</b>
		1 OF 2	4 : 1		B

B	EC-21101016	ADD 01 TYPE	Jimmy Wang	2021.10.25
A		NEW RELEASE	Li Song	2018.04.26
REV.	ECN NO	REVISION RECORD	DRAW	DATE

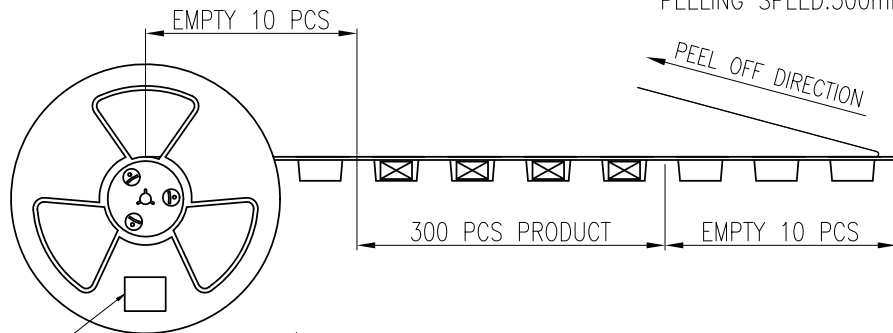
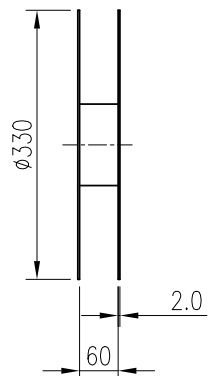
RoHS

HF

CUST INFORMATION.

PART NO.	DRAWING NO.	REV.
----------	-------------	------

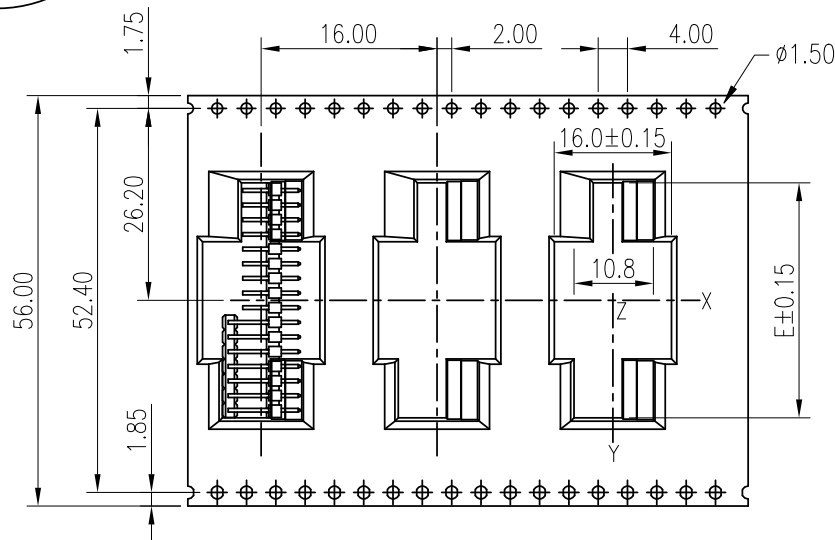
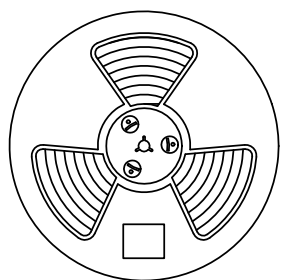
PEELING STRENGTH:10~130GF  
 PEELING SPEED:300mm/Min



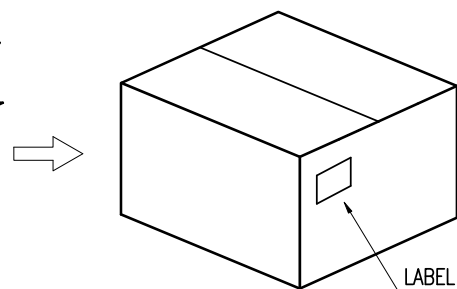
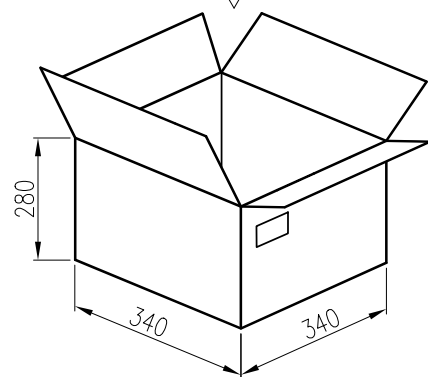
LABLE  
STICK TO  
THE BACK



NOTE:  
 PRODUCT SWING RANGE IN REEL TAPE:  
 X AXIS: <0.20mm  
 Y AXIS: <0.30mm  
 Z AXIS: <0.30mm  
 TOTAL: <0.30mm



CIRCUIT	DIM E	PCS/REEL	PCS/CARTON
01	30.1	300	1200
02	32.1		
03	32.1		
07	32.1		
09	32.1		



<b>TOLERANCE</b>		<b>PART NO.</b>		朝貴電子股份有限公司 CKM ELECTRONICS CO., LTD.	
X. XXX ±0.10	X.X ±0.30	20160202-XX-RP-HF			
X.XX ±0.20	Angular ±2°	<b>DRAWING NO.</b>		<b>TITLE:</b> 2.0mm PITCH PIN HEADER, TRIPLE ROWS, R/A, DIP TYPE CONNECTOR	
		C-20160202-XX-RP-HF		<b>APPROVED BY</b> Ivan Su 2021.10.25	
<b>UNIT:</b> mm		<b>CHECKED BY</b> Lance Cheng 2021.10.25		<b>DRAWN BY</b> Jimmy Wang 2021.10.25	
<b>DWG TYPE.</b>		<b>PAGE</b> 2 OF 2		<b>REV.</b> B	
Customer Drawing		<b>SCALE</b> 4 : 1			

B	EC-21101016	ADD 01 TYPE	Jimmy Wang	2021.10.25
A		NEW RELEASE	Li Song	2018.04.26
REV.	ECN NO	REVISION RECORD	DRAW	DATE