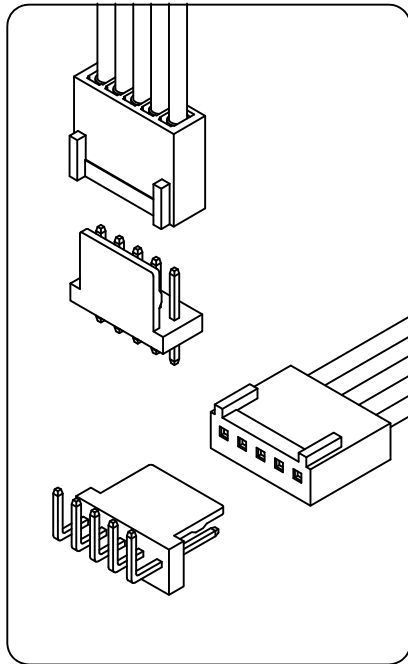


2541 Series

2.54mm[.010] pitch Wire to Board Connector



Specifications:

Circuit	2~20 Poles
Pitch between poles	2.54mm
Rated Voltage	250V AC,DC
Rated Current	2.5A (AWG#22)
Withstand Voltage	1500V AC/minute
Contact Resistance	20mΩ Max.
Insulation Resistance	1000MΩ Min.
Temperature Range	-25°~+85°C
Applicable Wire Range	AWG #22~#28

UL: Recognized No. E186634

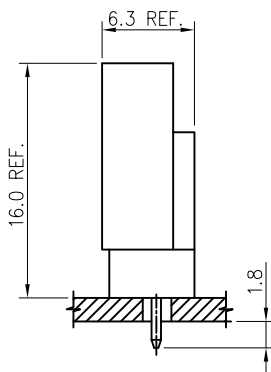
CSA: Certified No. LR110611

RoHS: Specification

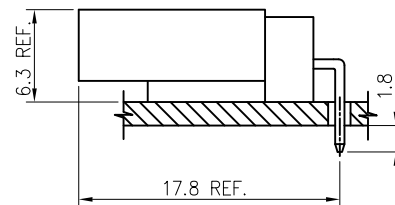
HF: Halogen-free products

Assembly Layout

Vertical Type



Right Angle Type



Ordering Code

① ② ③ ④ ⑤
2541 H -XP -X -XX -HF

- ① Series No.
- ② Housing
- ③ No. of circuits: 2~20
- ④ Color Code: Blank(Natural) or X(other)
- ⑤ HF: Halogen Free (or not)

① ② ③④ ⑤
2541 T -XX -XX

- ① Series No.
- ② Terminal
- ③ Crimp Type: 0=Standart Type
- ④ Material: Copper alloy
- ⑤ Plated Code: C=Gold-plated

① ②③ ④ ⑤⑥ ⑦
2541 WX -XP -XX -HF

- ① Series No.
- ② Wafer
- ③ Entry & Solder Type: WV=Vertical
WR=Right angle
- ④ No. of circuits: 2~20
- ⑤ Plating code: A=Matte Tin
B=Bright Tin
- ⑥ Color Code: Blank(Natural)
- ⑦ HF: Halogen Free (or not)

Note: * (eg. A, B, X...) designates Plated thickness identification.
For availability, delivery, color and MOQ, contact CKM.

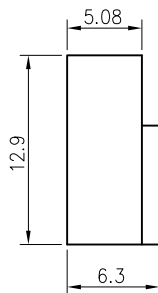
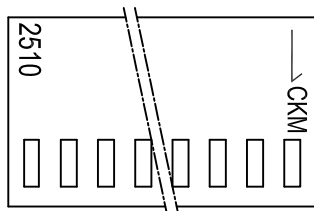
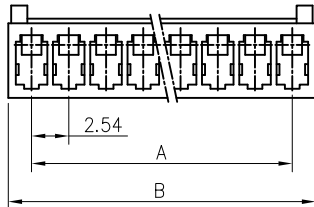
2541 Series

2.54mm[.010] pitch Crimp Terminal Socket



Features:

- * Single Row Terminal Socket
- * Material : Nylon 66 UL 94V-0
- * Suitable for CKM 2541 series terminal
- * CKM P/N : 2541H-XP-X-XX-HF



Dimensional & Ordering Information:

POS	Dimensions	
	A	B
2	2.54	5.7
3	5.08	8.2
4	7.62	10.8
5	10.16	13.3
6	12.70	15.9
7	15.24	18.4
8	17.78	20.9
9	20.32	23.5
10	22.86	26.0
11	25.40	28.6
12	27.94	31.1
13	30.48	33.6
14	33.02	36.2
15	35.56	38.7
16	38.10	41.3
17	40.64	43.8
18	43.18	46.3
19	45.72	48.9
20	48.26	51.4

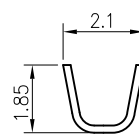
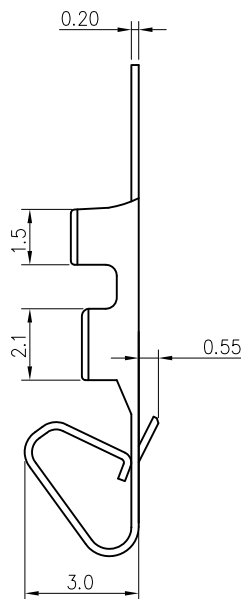
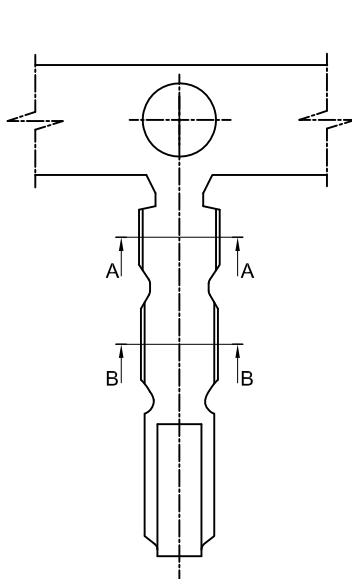
Note: X (eg. A, XX...) Designates Color, Material, identification.
For availability, delivery and MOQ, Please contact CKM.

2541 Series

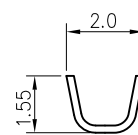
2.54mm[.010] pitch Crimp Terminal

Features:

- * Used in CKM 2541 series socket
- * Material : 0.20mm thick Copper alloy, Tin or Gold-plated
- * CKM P/N : 2541T0P-XX



Section A-A



Section B-B

Dimensional & Ordering Information:

Part No.	2541T0P-A&BX	2541T0P-CX
Wire Range	AWG #22~#28	
Insulation O.D.	1.2~1.7mm	
Material	Phosphor bronze	
Finish	Tin-Plated	Gold-Plated
Qty / reel	10,000 pcs	

Note: * (eg. 0, A, B...) designates Au-plate thickness identification.
For availability, delivery and MOQ, Please contact CKM.

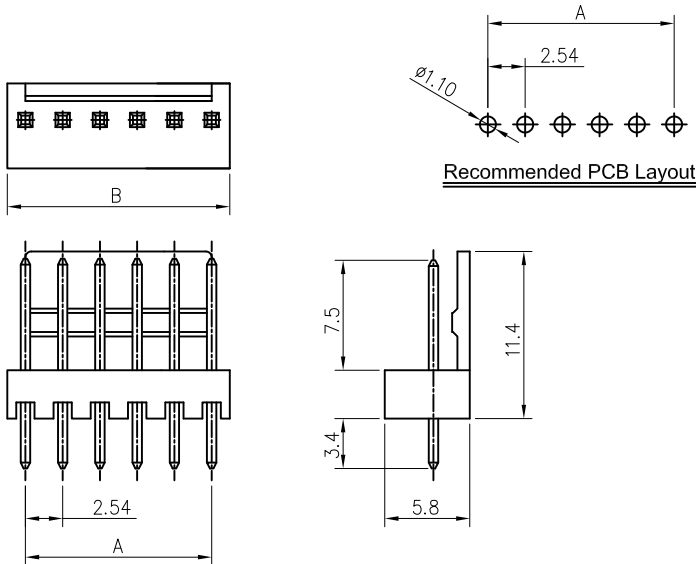
2541 Series

2.54mm[.010] pitch Wafer (Vertical-SMT Type)



Features:

- * Single Row Vertical-Type Wafer
- * Material : Insulator: Nylon66 UL 94V-0 (Milky yellow)
Contact Post: SQ. 0.64mm Copper alloy, Tin-plated
- * Mates with CKM 2541 series socket
- * CKM P/N : 2541WV-XP-XX-HF



Dimensional & Ordering Information:

POS	Dimensions	
	A	B
2	2.54	5.08
3	5.08	7.62
4	7.62	10.16
5	10.16	12.70
6	12.70	15.24
7	15.24	17.78
8	17.78	20.32
9	20.32	22.86
10	22.86	25.40
11	25.40	27.94
12	27.94	30.48
13	30.48	33.02
14	33.02	35.56
15	35.56	38.10
16	38.10	40.64
17	40.64	43.18
18	43.18	45.72
19	45.72	48.26
20	48.26	50.80

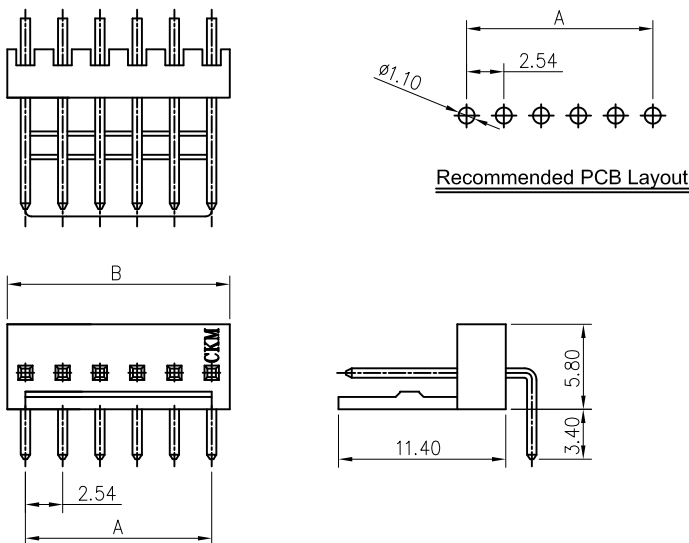
Note: X (eg. A, XX...) Designates Color, Material, identification.
For availability, delivery and MOQ, Please contact CKM.

2541 Series

2.54mm[.010] pitch Wafer (Vertical-SMT Type)

Features:

- * Single Row Right Angle-Type Wafer
- * Material : Insulator: Nylon66 UL 94V-0 (Milky yellow)
Contact Post: SQ. 0.64mm Copper alloy, Tin-plated
- * Mates with CKM 2541 series socket
- * CKM P/N : 2541WR-XP-XX-HF



Dimensional & Ordering Information:

POS	Dimensions	
	A	B
2	2.54	5.08
3	5.08	7.62
4	7.62	10.16
5	10.16	12.70
6	12.70	15.24
7	15.24	17.78
8	17.78	20.32
9	20.32	22.86
10	22.86	25.40
11	25.40	27.94
12	27.94	30.48
13	30.48	33.02
14	33.02	35.56
15	35.56	38.10
16	38.10	40.64
17	40.64	43.18
18	43.18	45.72
19	45.72	48.26
20	48.26	50.80

Note: X (eg. A, XX...) Designates Color, Material, identification.
For availability, delivery and MOQ, Please contact CKM.