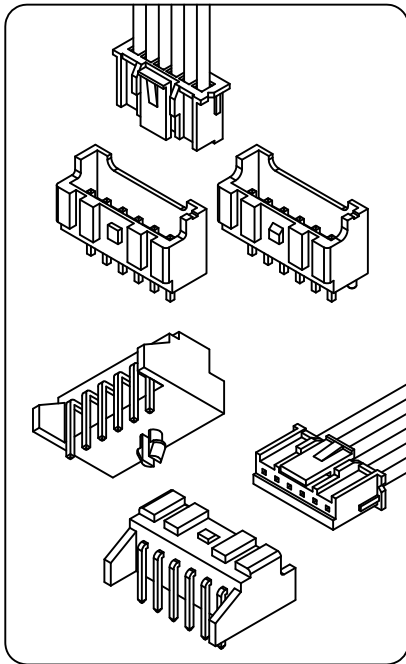


2514 Series

2.50mm[.098] pitch Wire to Board Connector



Specifications:

Circuit	2~20 Poles
Pitch between poles	2.50mm
Rated Voltage	250V AC
Rated Current	3A (AWG #20)
Withstand Voltage	1000V AC/minute
Contact Resistance	10mΩ Max.
Insulation Resistance	1000MΩ Min.
Temperature Range	-25°~+85°C
Applicable Wire Range	AWG #20~#28

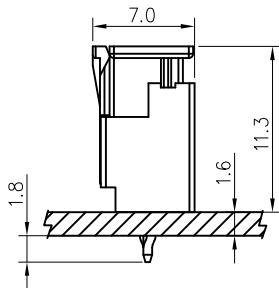
UL: Recognized No. E186634

RoHS-Specification

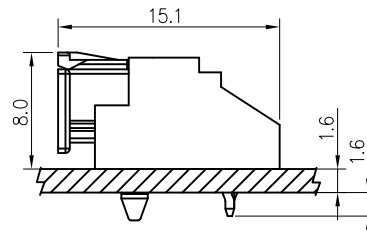
Halogen-free products

Assembly Layout

Vertical Type



Right Angle Type



Ordering Code

① ② ③ ④ ⑤
2514 H -XP -X -HF

- ① Series No.
- ② Housing
- ③ No. of circuits: 2~20
- ④ Color Code: Blank(Natural)
- ⑤ HF: Halogen Free (or not)

① ② ③④ ⑤
2514 T -XX -XX

- ① Series No.
- ② Terminal
- ③ Crimp Type: 0=Standart Type
- ④ Material: Copper alloy
- ⑤ Plated Code: A=Matte Tin Plated
B=Bright Tin Plated
C=Gold Flash Plated

① ②③ ④ ⑤⑥ ⑦
2514 WX -XP -XX -HF

- ① Series No.
- ② Wafer
- ③ Entry & Solder Type: WV=Vertical, DIP Type
WR=Right angle, DIP Type
- ④ No. of circuits: 2~20
- ⑤ Plating code: A=Matte Tin
B=Bright Tin
C=Gold
- ⑥ Color Code: Blank(Natural) or A(Black)
- ⑦ HF: Halogen Free (or not)

Note: * (eg. A, B, X...) designates Plated thickness identification.
For availability, delivery, color and MOQ, contact CKM.

2514 Series

2.50mm[.098] pitch Crimp Terminal Socket

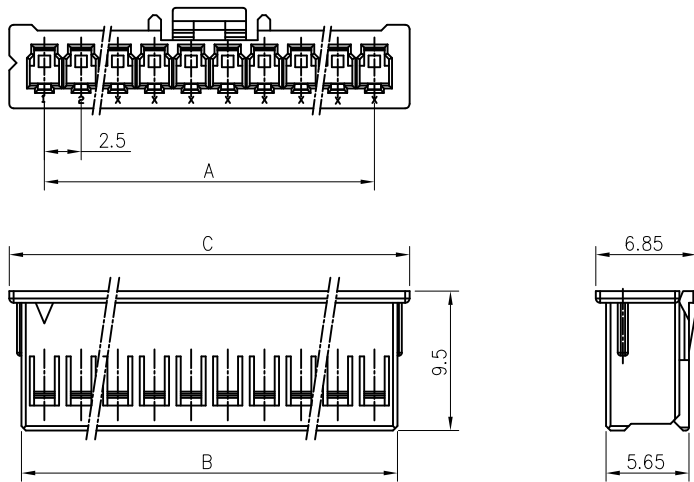


Features:

- * Single Row Terminal Socket
- * Material : Nylon 66 UL 94V-0 (Natural)
- * Suitable for CKM 2514 series terminal
- * CKM P/N : 2514H-XP-X-HF

Dimensional & Ordering Information:

POS	Dimensions		
	A	B	C
2	2.5	5.64	7.3
3	5.0	8.14	9.8
4	7.5	10.64	12.3
5	10.0	13.14	14.8
6	12.5	15.64	17.3
7	15.0	18.14	18.8
8	17.5	20.64	22.3
9	20.0	23.14	24.8
10	22.5	25.64	27.3
11	25.0	28.14	29.8
12	27.5	30.64	32.3
13	30.0	33.14	34.8
14	32.5	35.64	37.3
15	35.0	38.14	39.8
16	37.5	40.64	42.3
17	40.0	43.14	44.8
18	42.5	45.64	47.3
19	45.0	48.14	49.8
20	47.5	50.64	52.3



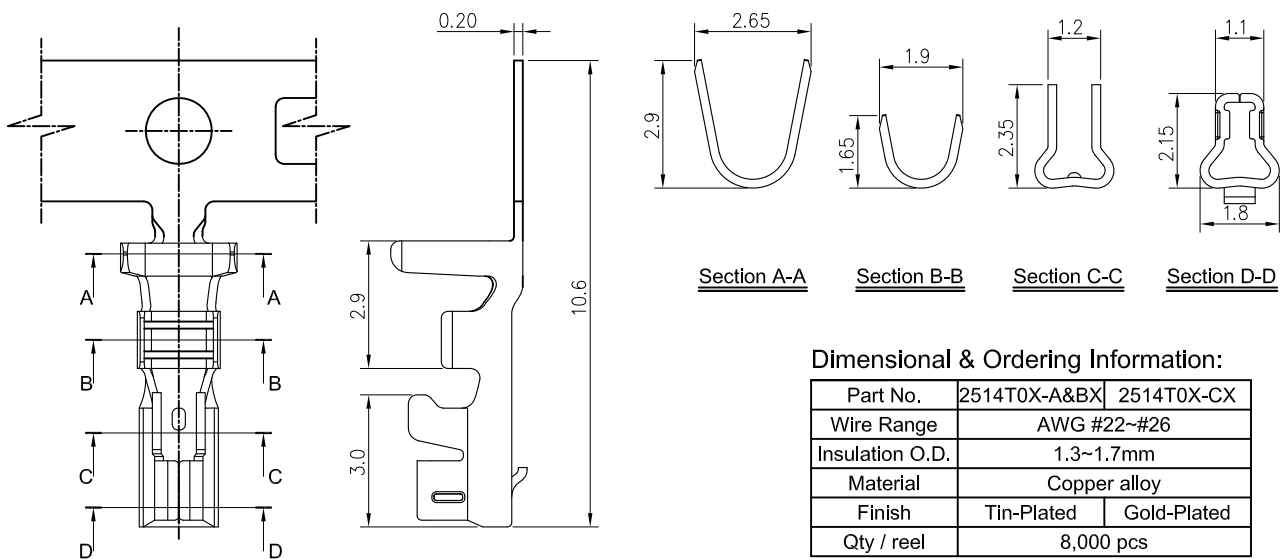
Note: X (eg. A, XX...) Designates Color, Material, identification.
For availability, delivery and MOQ, Please contact CKM.

2514 Series

2.50mm[.098] pitch Crimp Terminal

Features:

- * Used in CKM 2514 series socket
- * Material : 0.20mm thick Copper alloy, Tin or Gold-plated
- * CKM P/N : 2514T0X-XX



Dimensional & Ordering Information:

Part No.	2514T0X-A&BX	2514T0X-CX
Wire Range	AWG #22~#26	
Insulation O.D.	1.3~1.7mm	
Material	Copper alloy	
Finish	Tin-Plated	Gold-Plated
Qty / reel	8,000 pcs	

Note: * (eg. 0, A, B...) designates Au-plate thickness identification.
For availability, delivery and MOQ, Please contact CKM.

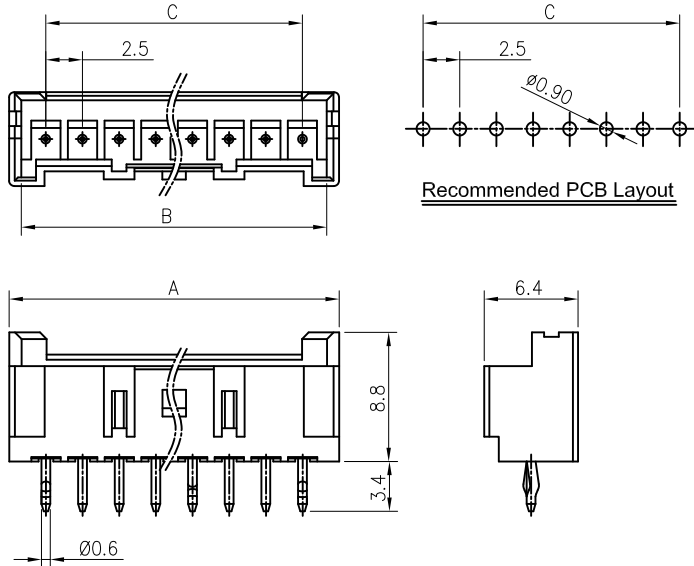
2514 Series

2.50mm[.098] pitch wafer (Vertical-DIP Type)



Features:

- * Single Row Vertical-DIP Type Wafer
- * Material : Insulator: Nylon 66 UL 94V-0
Contact Post: $\varnothing 0.60\text{mm}$ Copper alloy, Tin or Gold-plated
- * Mates with CKM 2514 Series socket
- * CKM P/N : 2514WV-XP-XX-HF



Dimensional & Ordering Information:

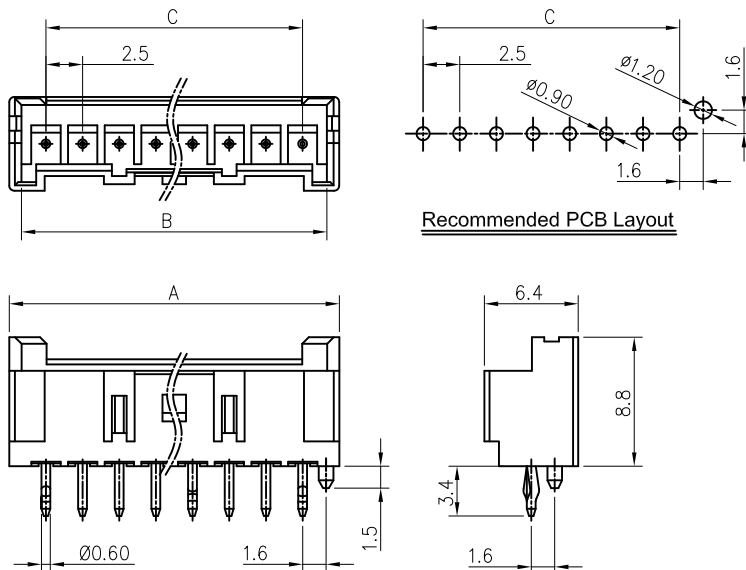
POS	Dimensions		
	A	B	C
2	7.5	5.83	2.5
3	10.0	8.33	5.0
4	12.5	10.83	7.5
5	15.0	13.33	10.0
6	17.5	15.83	12.5
7	20.0	18.33	15.0
8	22.5	20.83	17.5
9	25.0	23.33	20.0
10	27.5	25.83	22.5
11	30.0	28.33	25.0
12	32.5	30.83	27.5
13	35.0	33.33	30.0
14	37.5	35.83	32.5
15	40.0	38.33	35.0
16	42.5	40.83	37.5
17	45.0	43.33	40.0
18	47.5	45.83	42.5
19	50.0	48.33	45.0
20	52.5	50.83	47.5

2514 Series

2.50mm[.098] pitch wafer (Vertical-DIP Type)

Features:

- * Single Row Vertical-DIP Type Wafer (With Boss)
- * Material : Insulator: Nylon 66 UL 94V-0
Contact Post: $\varnothing 0.60\text{mm}$ Copper alloy, Tin or Gold-plated
- * Mates with CKM 2514 Series socket
- * CKM P/N : 2514WV-XP-XX-BS-HF



Dimensional & Ordering Information:

POS	Dimensions		
	A	B	C
2	7.5	5.83	2.5
3	10.0	8.33	5.0
4	12.5	10.83	7.5
5	15.0	13.33	10.0
6	17.5	15.83	12.5
7	20.0	18.33	15.0
8	22.5	20.83	17.5
9	25.0	23.33	20.0
10	27.5	25.83	22.5
11	30.0	28.33	25.0
12	32.5	30.83	27.5
13	35.0	33.33	30.0
14	37.5	35.83	32.5
15	40.0	38.33	35.0
16	42.5	40.83	37.5
17	45.0	43.33	40.0
18	47.5	45.83	42.5
19	50.0	48.33	45.0
20	52.5	50.83	47.5

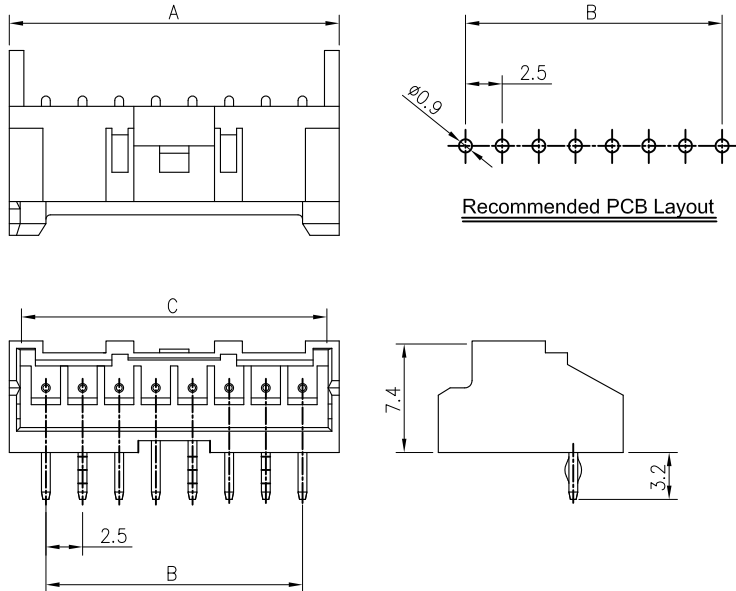
2514 Series

2.50mm[.098] pitch wafer (Right Angle-DIP Type)



Features:

- * Single Row Right Angle-DIP Type Wafer
- * Material : Insulator: Nylon 66 UL 94V-0
Contact Post: Ø0.60mm Copper alloy, Tin or Gold-plated
- * Mates with CKM 2514 Series socket
- * CKM P/N : 2514WR-XP-XX-HF



Dimensional & Ordering Information:

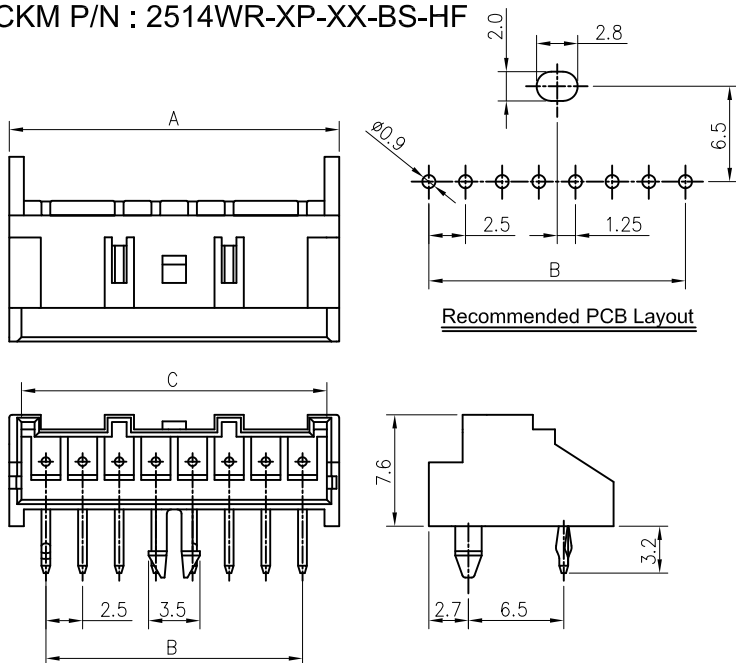
POS	Dimensions		
	A	B	C
2	7.5	2.5	5.83
3	10.0	5.0	8.33
4	12.5	7.5	10.83
5	15.0	10.0	13.33
6	17.5	12.5	15.83
7	20.0	15.0	18.33
8	22.5	17.5	20.83
9	25.0	20.0	23.33
10	27.5	22.5	25.83
11	30.0	25.0	28.33
12	32.5	27.5	30.83
13	35.0	30.0	33.33
14	37.5	32.5	35.83
15	40.0	35.0	38.33
16	42.5	37.5	40.83
17	45.0	40.0	43.33
18	47.5	42.5	45.83
19	50.0	45.0	48.33
20	52.5	47.5	50.83

2514 Series

2.50mm[.098] pitch wafer (Right Angle-DIP Type)

Features:

- * Single Row Right Angle-DIP Type Wafer (With Boss)
- * Material : Insulator: Nylon 66 UL 94V-0
Contact Post: Ø0.60mm Copper alloy, Tin or Gold-plated
- * Mates with CKM 2015 Series socket
- * CKM P/N : 2514WR-XP-XX-BS-HF



Dimensional & Ordering Information:

POS	Dimensions		
	A	B	C
2	7.5	2.5	5.83
3	10.0	5.0	8.33
4	12.5	7.5	10.83
5	15.0	10.0	13.33
6	17.5	12.5	15.83
7	20.0	15.0	18.33
8	22.5	17.5	20.83
9	25.0	20.0	23.33
10	27.5	22.5	25.83
11	30.0	25.0	28.33
12	32.5	27.5	30.83
13	35.0	30.0	33.33
14	37.5	32.5	35.83
15	40.0	35.0	38.33
16	42.5	37.5	40.83
17	45.0	40.0	43.33
18	47.5	42.5	45.83
19	50.0	45.0	48.33
20	52.5	47.5	50.83