

RoHS

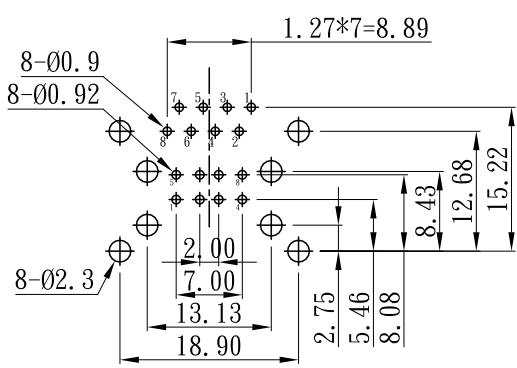
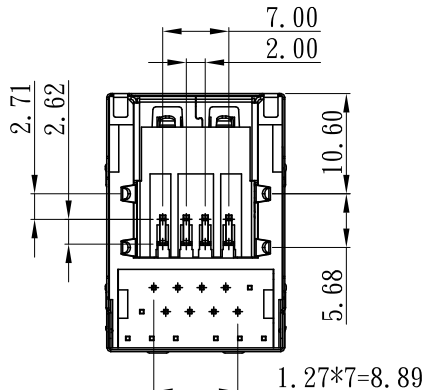
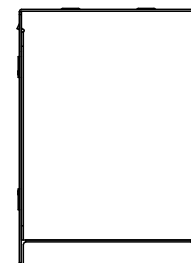
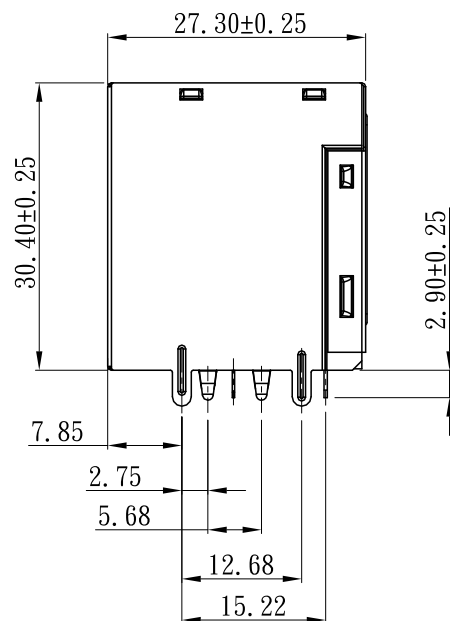
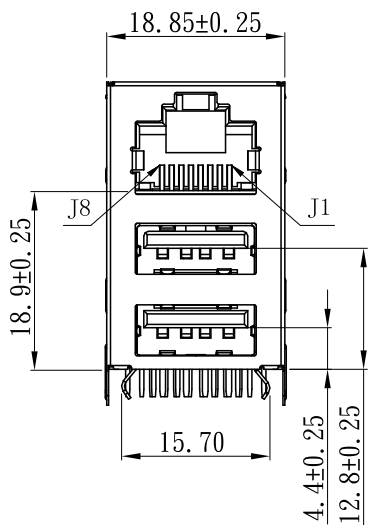
Proposal Drawing

CUST INFORMATION.

PART NO. NA	DRAWING NO. NA	REV. NA
----------------	-------------------	------------

45F0011R011


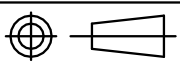
Top Side



RECOMMENDED PCB LAYOUT
TOLERANCE ±0.05mm(T=1.6mm)

NOTE:

- SHIELDED-A: 0.2mm THICKNESS BRASS C2680 H
PLATING NICKEL 20u" Min.
- SHIELDED-B: 0.2mm SUS304
- HOUSING: Nylon 66, GLASS FIBER FILLED, UL94V-0 , COLOR BLACK
- RJ TERMINAL: PLASTIC : Nylon 66, GLASS FIBER FILLED, UL94V-0 , COLOR BLACK
PIN : THICKNESS=0.35mm C5210 EH
PLATING : NICKEL 30u"-50u" FOR ALL AND Sn 100% AND GOLD PLATING 6u"
- INSERT TERMINAL: PLASTIC : Nylon 66, GLASS FIBER FILLED, UL94V-0 , COLOR BLACK
PIN : THICKNESS=0.35mm SUS430.
PLATING : NICKEL 30u"-50u" FOR ALL AND Sn 100u" min
- USB HOUSING: Nylon 66, GLASS FIBER FILLED, UL94V-0 , COLOR BLACK
- USB CONTACT: THICKNESS = 0.35mm BRASS C2680H.
PLATING : NICKEL 30u"-50u" FOR ALL, AND Sn 100u" min AND GOLD PLATING 6u"

TOLERANCE		PART NO.		 朝貴電子股份有限公司 CKM ELECTRONICS CO., LTD.	
X.	X.XXX ±0.10	5933-U2-00201			
X.X	±0.30	DRAWING NO.		TITLE. RJ45 + USB2.0 W/ SHIELD W/O LED	
X.XX	±0.25	C-5933-U2-00201		WITHOUT TRANSFORMER JACK	
 UNIT: mm		APPROVED BY	CHECKED BY	DRAWN BY	PAGE
		DWG TYPE.	Angus	Flyer	Flyer
Customer Drawing		2021/04/15	2021/04/15	2021/04/15	SCALE
					1 : 1
					REV. 1

1		PROPOSAL DRAWING	Flyer	2021/04/15
REV.	ECN NO	REVISION RECORD	DRAW	DATE

1
RoHS

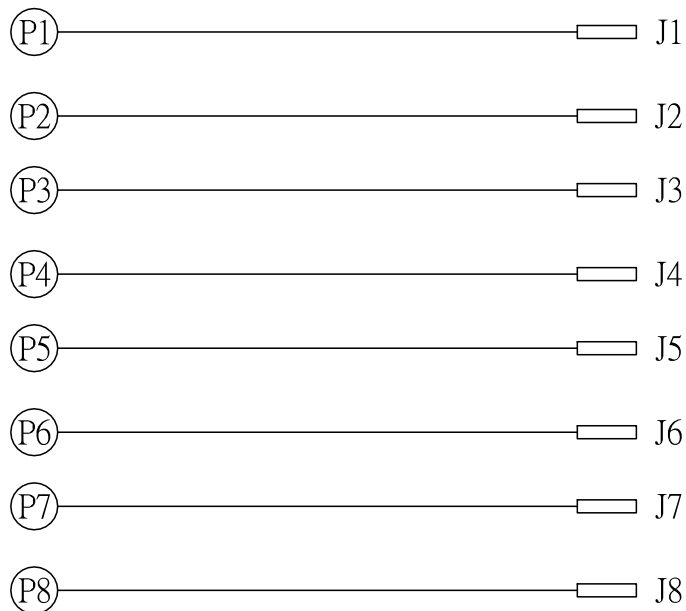
2
Proposal Drawing

6
CUST INFORMATION.

PART NO. NA	DRAWING NO. NA	REV. NA
----------------	-------------------	------------

45F0011R011

SCHEMATIC: 45F-00


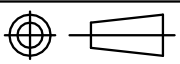


Feature:

- . Operating temperature: 0°C to +70°C
- . Storage temperature: -40°C to +85°C

Note:

1. Current Rating : 1.5 AMP
2. Voltage Rating : 150 VAC
3. Contact Resistance : 30 Milliohms MAX
4. Insulation Resistance : DC 500V, 500 Milliohms MIN
5. Dielectric Withstanding Voltage : 500 VAC, 60Hz, 1min
6. Operating Life : 750 CYCLES MIN
7. RoHS Compliance: YES

TOLERANCE		PART NO. 5933-U2-00201		 朝貴電子股份有限公司 CKM ELECTRONICS CO., LTD.	
X.	X.XXX ±0.10	DRAWING NO. C-5933-U2-00201		TITLE. RJ45 + USB2.0 W/ SHIELD W/O LED WITHOUT TRANSFORMER JACK	
X.X ±0.30		APPROVED BY Angus 2021/04/15		CHECKED BY Flyer 2021/04/15	DRAWN BY Flyer 2021/04/15
X.XX ±0.25	Angular ±2°	UNIT: mm		PAGE 2 OF 2	REV. 1
		DWG TYPE. Customer Drawing		SCALE 1 : 1	

1		PROPOSAL DRAWING	Flyer	2021/04/15
REV.	ECN NO	REVISION RECORD	DRAW	DATE