

RoHS

Proposal Drawing

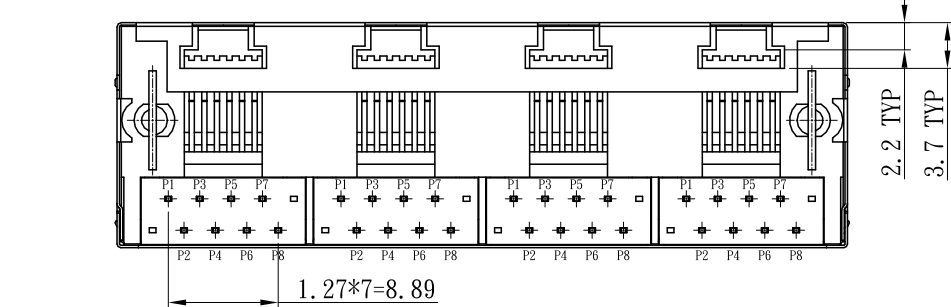
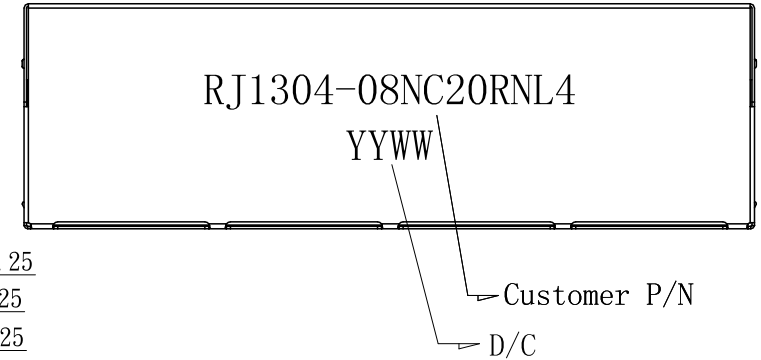
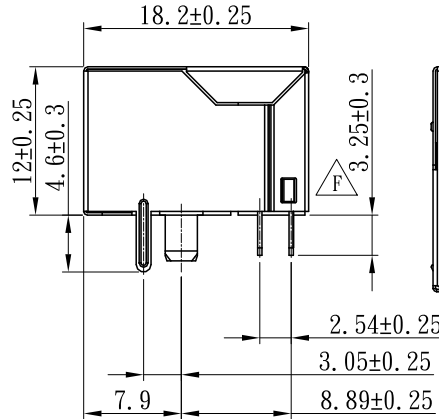
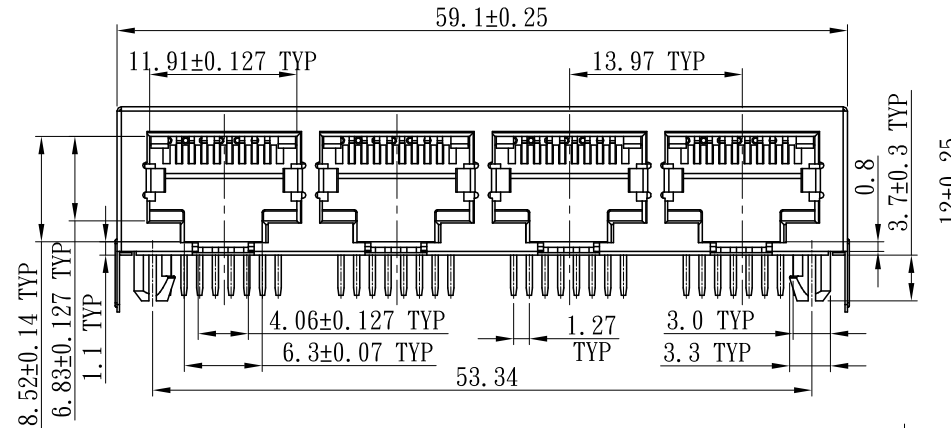
CUST INFORMATION.

PART NO.
NA

DRAWING NO.
NA

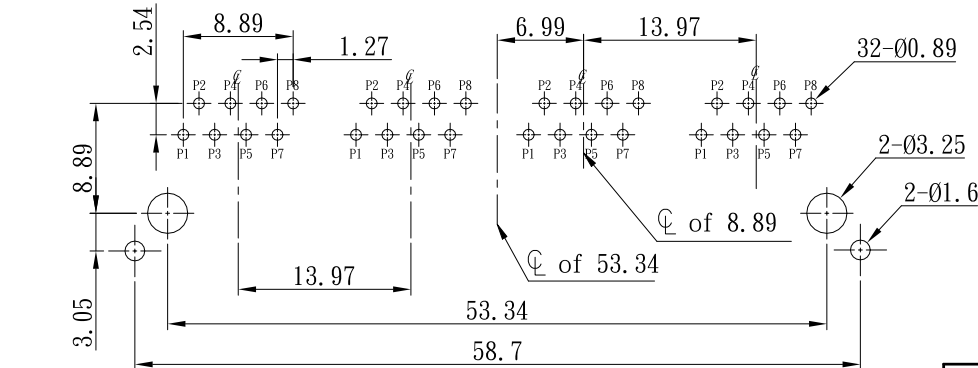
REV.
NA

564F0814H01-DM



NOTES:

- Shielded - 0.20mm Thickness Brass C2680 H.Plating Nickel 50u"MIN.
- Housing- Plastic:Nylon 66,Glass Fiber Filled UL94V-0 , Color Black.
- Contact Pin- Plastic:LCP,Glass Fiber Filled UL94V-0 , Color Black.
Pin:0.35mm Thickness Phosphor Bronze C5210 EH.
Plating:Nickel 30u"~60u" For All And Sn 100u" min.
And Gold Plating 6u".
- Insert Pin- Plastic:Nylon 66,Glass Fiber Filled UL94V-0 , Color Black.
Pin:0.35mm Stainlessl SUS430
Plating:Nickel 30u"~60u" For All And Sn 100u" min.



RECOMMENDED PCB LAYOUT
TOLERANCE ±0.05mm(T=1.6mm)

TOLERANCE		PART NO. 5933-56-00202		朝貴電子股份有限公司 CKM ELECTRONICS CO., LTD.	
X.	X.XXX ±0.10	DRAWING NO. C-5933-56-00202		TITLE: RJ45 1X4 POST W/ SHIELD W/O LED TRANSFORMER (10/100 BASE-T) JACK	
X.X ±0.30		APPROVED BY Ivan		PAGE 1 OF 3	
X.XX ±0.20	Angular ±2°	CHECKED BY Flyer		REV. F	
UNIT: mm		DRAWN BY Flyer		SCALE 1 : 1	
DWG TYPE. Customer Drawing		2023/04/26		2023/04/26	

F		EDIT DEMENSION	Flyer	2023/04/26
E		EDIT VIEW	Flyer	2022/12/14
REV.	ECN NO	REVISION RECORD	DRAW	DATE

RoHS

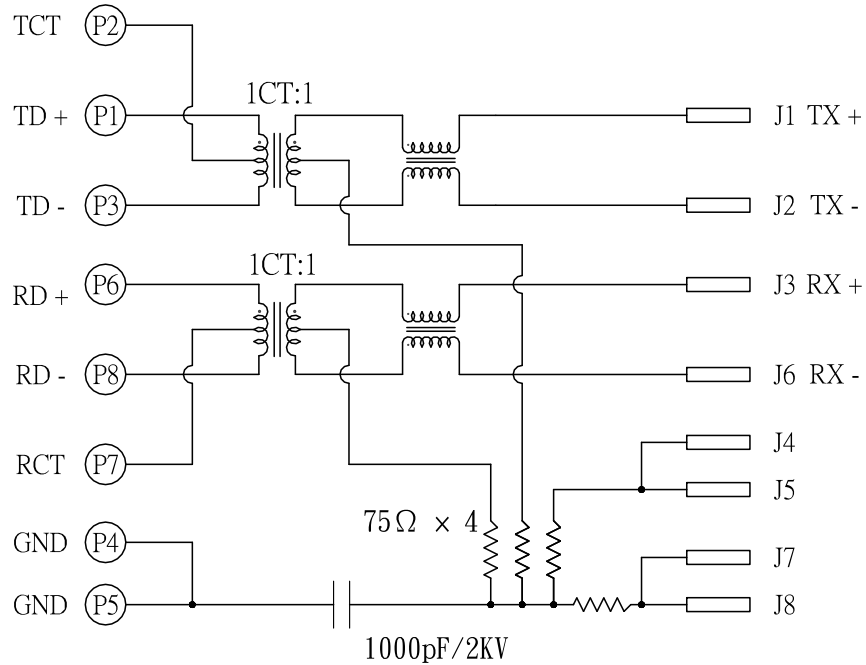
Proposal Drawing

CUST INFORMATION.

PART NO. NA	DRAWING NO. NA	REV. NA
----------------	-------------------	------------

564F0814H01-DM

SCHEMATIC: TYPE 56F-F08



Feature:

. Operating temperature: -40°C to +85°C

. Storage temperature: -40°C to +85°C

Electrical Specifications: (25°C)

1. Turns Ratio: @100KHz, 0.1V

P1-P3: J1-J2 = 1:1±5%

P6-P8: J3-J6 = 1:1±5%

2. OCL:

@100KHz, 0.1V, 8mA DC BIAS: 350uH Min

3. Insertion Loss:

@0.3~100MHz : -1.0dB Max

4. Return Loss:

@1~30MHz : -20dB Min

@30~60MHz : -15dB Min

@60~80MHz : -10dB Min


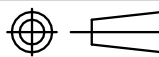
5. Crosstalk: @1~100MHz : -30dB Min

6. Common Mode Rejection: @1~100MHz : -30dB Min

7. Hi-Pot: INPUT TO OUTPUT 1500VAC, 1mA, 60S

8. RoHS Compliance: YES

F		EDIT DEMENSION	Flyer	2023/04/26
E		EDIT VIEW	Flyer	2022/12/14
REV.	ECN NO	REVISION RECORD	DRAW	DATE

TOLERANCE		PART NO.		 朝貴電子股份有限公司 CKM ELECTRONICS CO., LTD.	
X.	X.XXX ±0.10	5933-56-00202			
X.X ±0.30		DRAWING NO.		TITLE: RJ45 1X4 POST W/ SHIELD W/O LED TRANSFORMER (10/100 BASE-T) JACK	
X.XX ±0.20	Angular ±2°	C-5933-56-00202			
 UNIT: mm		APPROVED BY	CHECKED BY	DRAWN BY	PAGE
DWG TYPE.		Ivan	Flyer	Flyer	2 OF 3
Customer Drawing		2023/04/26	2023/04/26	2023/04/26	REV.
				SCALE	
				1 : 1	
				F	

1
RoHS

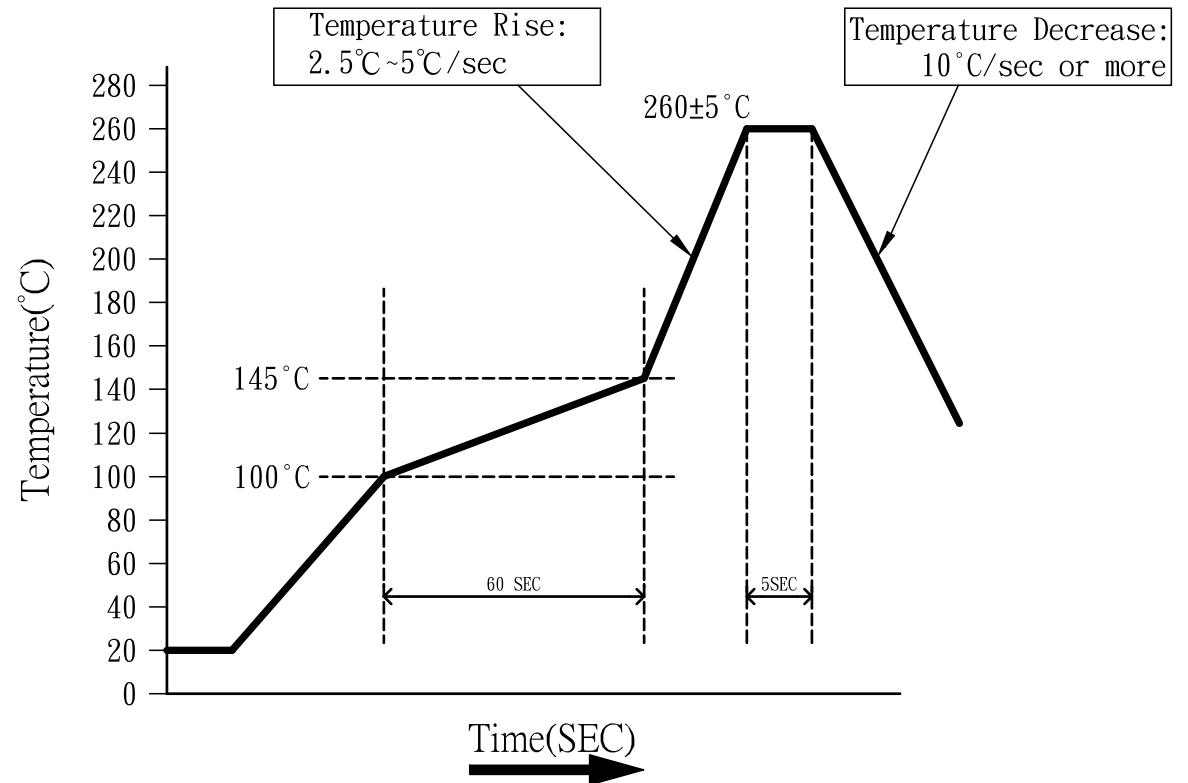
2
Proposal Drawing




6
CUST INFORMATION.

PART NO. NA	DRAWING NO. NA	REV. NA
----------------	-------------------	------------

A
Test condition:

- 1. Solde Temp :260°C±5°C.
- 2. Solde Duration :5sec Max.



TOLERANCE		PART NO. 5933-56-00202		 朝貴電子股份有限公司 CKM ELECTRONICS CO., LTD.	
X. X.XXX ±0.10	X.XXX ±0.10	DRAWING NO. C-5933-56-00202		TITLE. RJ45 1X4 POST W/ SHIELD W/O LED TRANSFORMER (10/100 BASE-T) JACK	
X.X ±0.30	X.XX ±0.20	UNIT: mm		APPROVED BY Ivan 2023/04/26	CHECKED BY Flyer 2023/04/26
		DWG TYPE. Customer Drawing		DRAWN BY Flyer 2023/04/26	PAGE 3 OF 3
REV.	ECN NO	REVISION RECORD	DRAW	DATE	SCALE 1 : 1
					REV. F

F		EDIT DEMENSION	Flyer	2023/04/26
E		EDIT VIEW	Flyer	2022/12/14
REV.	ECN NO	REVISION RECORD	DRAW	DATE