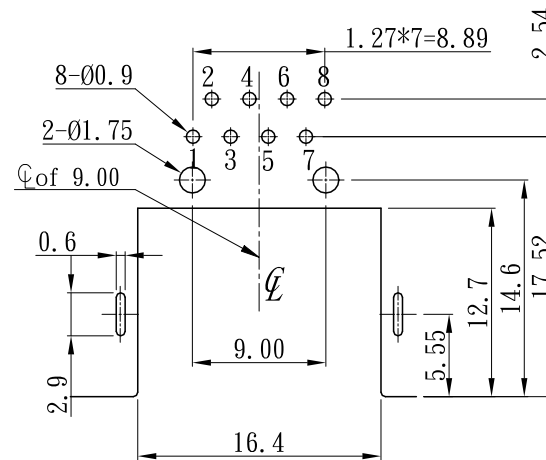
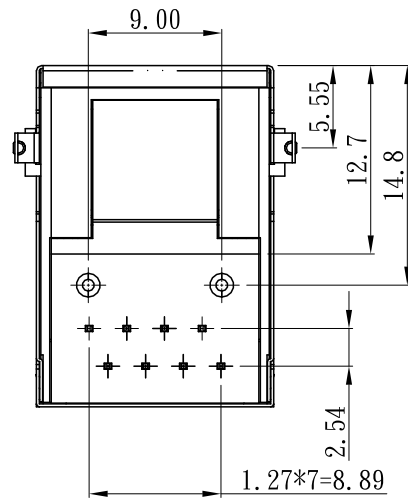
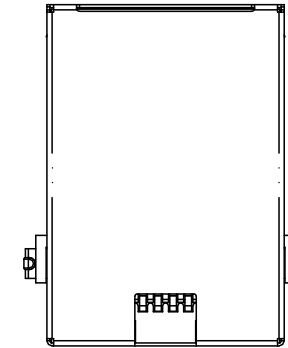
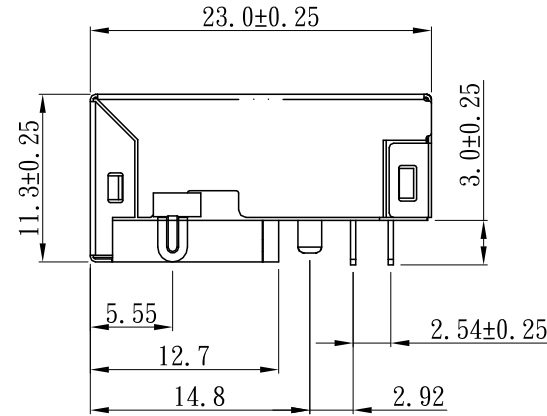
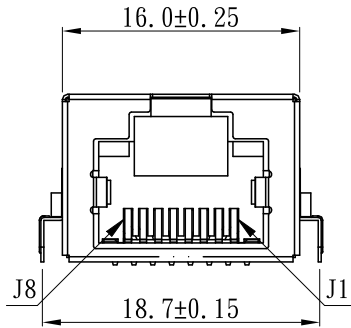


RoHS

CUST INFORMATION.

PART NO. N/A	DRAWING NO. N/A	REV. N/A
-----------------	--------------------	-------------

ELJ6502A1D4A-1R



NOTES:

- Shield- 0.20mm Thickness Brass C2680H
Plating Nickel 20u"min
- Housing- Plastic:PA4T Glass Fiber Filled
UL94V-0 , Color Black.
- Contact Pin- Plastic:PA4T Glass Fiber Filled
UL94V-0 , Color Black.
Pin:0.35mm Thickness Phosphor Bronze C5210 EH.
Plating:Nickel 40u"-60u" For All And Sn 100u" min.
And Gold Plating 6u" .
- InsertPin- Plastic:PA4T Glass Fiber Filled
UL94V-0 , Color Black.
Pin:0.35mm Thickness Brass C2680H.
Plating:Sn 100u" min. All Over 40u"-60u" Nickel

RECOMMENDED PCB LAYOUT
TOLERANCE ±0.05mm(T=1.6mm)

TOLERANCE		PART NO. 5933-52-00201		朝貴電子股份有限公司 CKM ELECTRONICS CO., LTD.	
X. XXX ±0.10	X.X ±0.25	DRAWING NO. C-5933-52-00201		TITLE. RJ45 1X1 PORT W/ SHIELD W/O LED TRANSFORMER(10/100 BASE-T)JACK	
X.XX ±0.15	Angular ±5°	APPROVED BY Ivan	CHECKED BY Flyer	DRAWN BY Flyer	PAGE 1 OF 2
UNIT: mm		2022/07/13	2022/07/13	2022/07/13	REV. A
DWG TYPE. Customer Drawing		SCALE 2 : 1			

NER RELEASE	Flyer	2022/07/13
REV.	ECN NO	REVISION RECORD
	DRAW	DATE

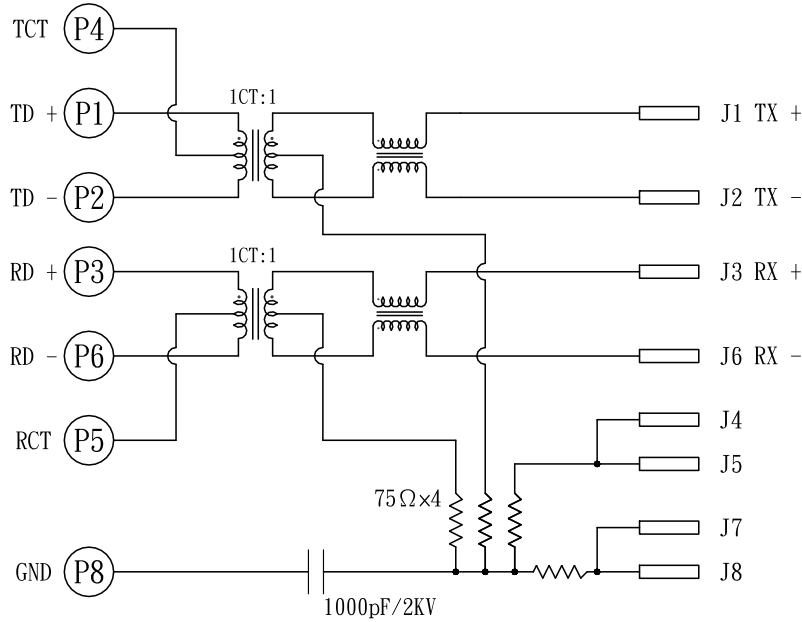
RoHS

CUST INFORMATION.

PART NO. N/A	DRAWING NO. N/A	REV. N/A
-----------------	--------------------	-------------

ELJ6502A1D4A-1R

SCHEMATIC:



Feature:

- .Operating temperature: -40°C to +85°C
- .Storage temperature: -40°C to +85°C

Electrical Specifications: (25°C)

- Turns Ratio:@100KHz, 0.1V
P1-P2: J1-J2 = 1:1±5%
P3-P6: J3-J6 = 1:1±5%
- OCL: @100KHz, 0.1V, 8mA DC BAIS:350uH Min
- Insertion Loss:
@1~100MHz : -1.0dB Max
- Return Loss:
@1~30MHz : -18dB Min
@30~60MHz : -16dB Min
@60~80MHz : -12dB Min
@80~100MHz : -10dB Min
- Crosstalk: @1~100MHz : -30dB Min
- Common Mode Rejection: @1~100MHz : -30dB Min
- Hi-Pot: INPUT TO OUTPUT 1500VAC, 1mA, 60S
- RoHS Compliance: YES

A	NER RELEASE	Flyer	2022/07/13
REV.	ECN NO	REVISION RECORD	DRAW DATE

TOLERANCE		PART NO.		朝貴電子股份有限公司	
X.	X.XXX ±0.10	5933-52-00201		CKM ELECTRONICS CO., LTD.	
X.X ±0.25		DRAWING NO.		TITLE: RJ45 1X1 PORT W/ SHIELD W/O LED	
X.XX ±0.15	Angular ±5°	C-5933-52-00201		TRANSFORMER(10/100 BASE-T)JACK	
	UNIT: mm	APPROVED BY	CHECKED BY	DRAWN BY	PAGE
DWG TYPE.	Customer Drawing	Ivan	Flyer	Flyer	2 OF 2
		2022/07/13	2022/07/13	2022/07/13	SCALE
					2 : 1
					REV.
					A