

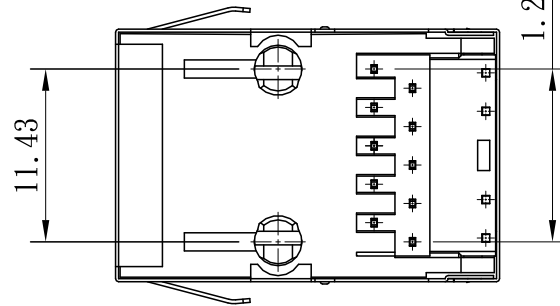
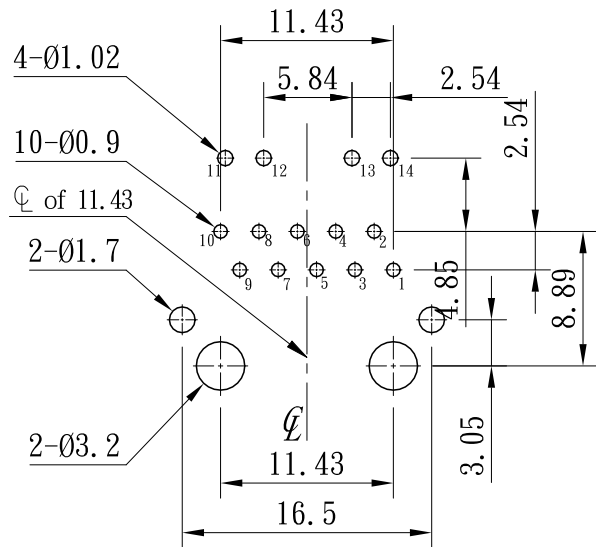
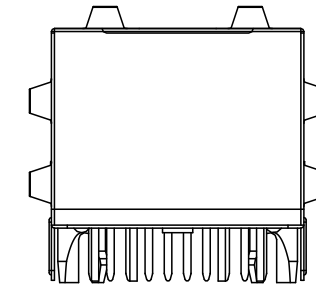
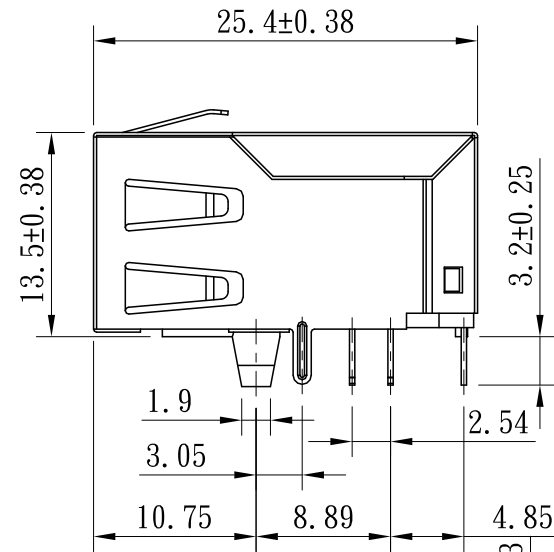
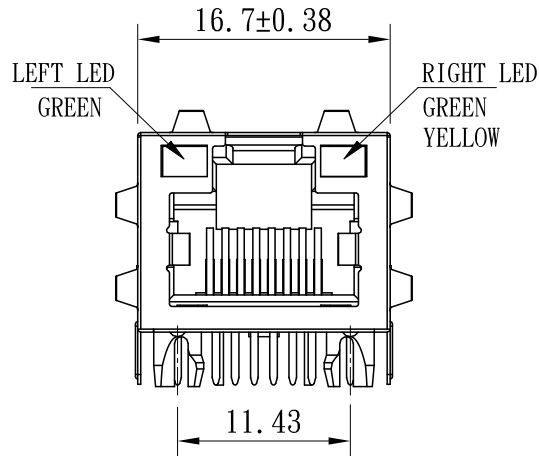
RoHS

Proposal Drawing

CUST INFORMATION.

PART NO. NA	DRAWING NO. NA	REV. NA
----------------	-------------------	------------

47WG02J4HK1


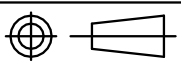


- NOTES:
- Shielded - 0.20mm Thickness Brass C2680 H. Plating Nickel 20u"min.
 - Housing- Plastic:LCP,Glass Fiber Filled UL94V-0 , Color Black.
 - Contact Pin- Plastic:LCP,Glass Fiber Filled UL94V-0 , Color Black. Pin:0.35mm Thickness Phosphor Bronze C5210 EH. Plating:Nickel 30u"~60u" For All And Sn 100%, And Gold Plating 6u".
 - Insert Pin- Plastic:LCP,Glass Fiber Filled UL94V-0 , Color Black. Pin:0.35mm Thickness SUS430. Plating:Su All Over 30u"~60u" Nickel
 - LED-

STANDARD LED	WAVELENGTH	FORWARD VOLTAGE
GREEN	565nm	2.5V MAX
YELLOW	585nm	2.5V MAX

With a forward current of 20mA

RECOMMENDED PCB LAYOUT
TOLERANCE ±0.05mm(T=1.6mm)

TOLERANCE		PART NO.		 朝貴電子股份有限公司 CKM ELECTRONICS CO., LTD.		
X. X.X ±0.30	X.XXX ±0.10	5934-47-03801				
X.XX ±0.20	Angular ±2°	DRAWING NO.		TITLE.		
 UNIT: mm		C-5934-47-03801		RJ45 1X1 POST W/ SHIELD W/ LED TRANSFORMER (1000 BASE-T) JACK		
DWG TYPE.		APPROVED BY	CHECKED BY	DRAWN BY	PAGE	REV.
Customer Drawing		Angus	Flyer	Flyer	10F2	1
		2020/12/29	2020/12/29	2020/12/29	SCALE	
				2 : 1		

1		PROPOSAL DRAWING	Flyer	2020/12/29
REV.	ECN NO	REVISION RECORD	DRAW	DATE

RoHS

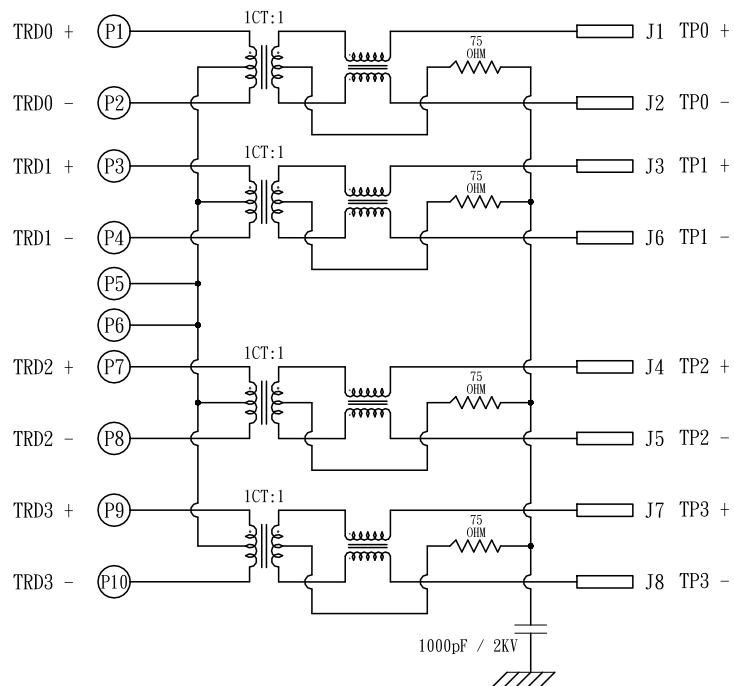
Proposal Drawing

CUST INFORMATION.

PART NO. NA	DRAWING NO. NA	REV. NA
----------------	-------------------	------------

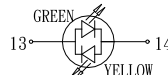
47WG02J4HK1

SCHEMATIC: TYPE 47F-G02



LEFT LED
11+ 12- GREEN

RIGHT LED
13+ 14- GREEN
13- 14+ YELLOW



Feature:

. Operating temperature: 0°C to +70°C

. Storage temperature: -40°C to +85°C

Electrical Specifications: (25°C)

1. Turns Ratio: @100KHz, 0.1V

P1-P2: J1-J2 = 1:1±5%

P3-P4: J3-J6 = 1:1±5%

P7-P8: J4-J5 = 1:1±5%

P9-P10: J7-J8 = 1:1±5%

2. OCL: @100KHz, 0.1V, 8mA DC BIAS: 350uH Min

3. Insertion Loss:

@1~100MHz : -1.0dB Max

@100~125MHz : -1.2dB Max

4. Return Loss:

@1~30MHz : -18dB Min

@30~60MHz : -16dB Min

@60~80MHz : -12dB Min


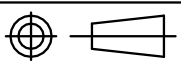
@80~100MHz : -10dB Min

5. Crosstalk: @1~100MHz : -30dB Min

6. Common Mode Rejection: @1~100MHz : -30dB Min

7. Hi-Pot: INPUT TO OUTPUT 1500VAC, 1mA, 60S

8. RoHS Compliance: YES

TOLERANCE		PART NO.		 朝貴電子股份有限公司 CKM ELECTRONICS CO., LTD.		
X.	X.XXX ±0.10	5934-47-03801				
X.X	±0.30	DRAWING NO.		TITLE: RJ45 1X1 POST W/ SHIELD W/ LED TRANSFORMER (1000 BASE-T) JACK		
X.XX	±0.20	Angular ±2°		C-5934-47-03801		
 UNIT: mm		APPROVED BY	CHECKED BY	DRAWN BY	PAGE	REV.
DWG TYPE.		Angus	Flyer	Flyer	20F2	1
Customer Drawing		2020/12/29	2020/12/29	2020/12/29	SCALE	
					2 : 1	

1		PROPOSAL DRAWING	Flyer	2020/12/29
REV.	ECN NO	REVISION RECORD	DRAW	DATE