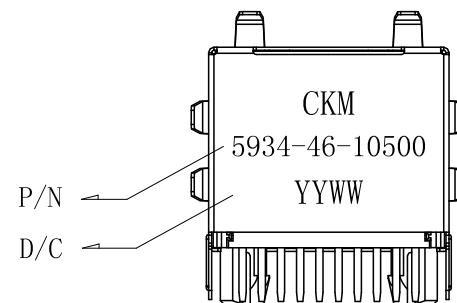
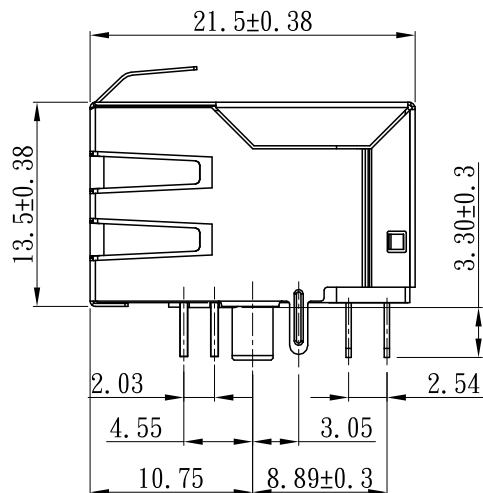
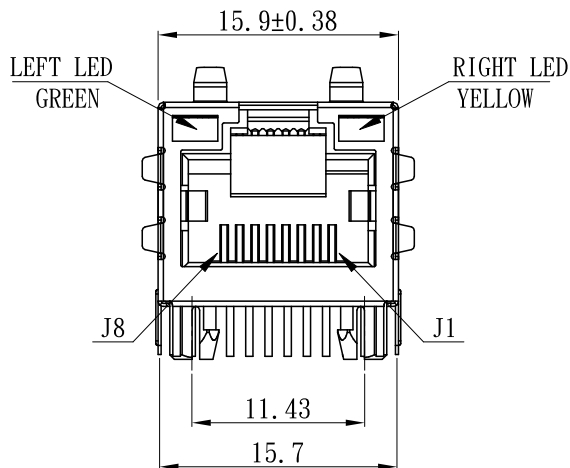


RoHS

Proposal Drawing

CUST INFORMATION.

PART NO. N/A	DRAWING NO. N/A	REV. N/A
-----------------	--------------------	-------------

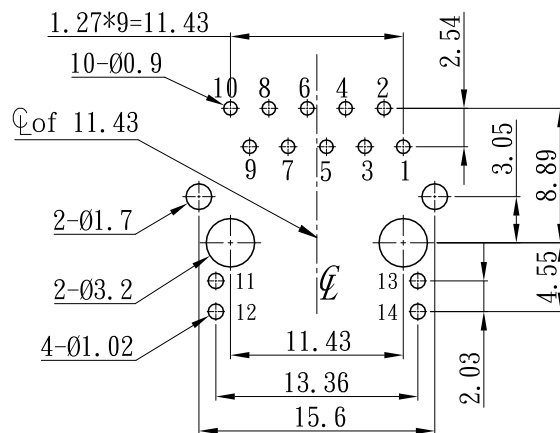
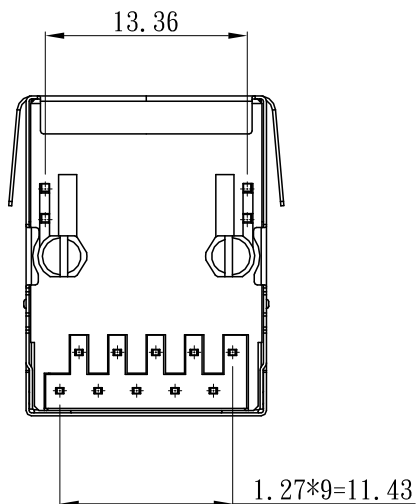


NOTES:

- Shielded - 0.20mm Thickness Brass C2680 H. Plating Nickel 20u"Min.
- Housing- Plastic:Nylon 66,Glass Fiber Filled UL94V-0 , Color Black
- Contact Pin- Plastic:Nylon 66,Glass Fiber Filled UL94V-0 , Color Black Pin:0.35mm Thickness Phos-Bronze C5210 EH. Plating:Nickel30u" ~60u" For All And Sn 100u" min. And Gold Plating 6u".
- Insert Pin- Plastic:Nylon 66,Glass Fiber Filled UL94V-0 , Color Black Pin:0.35mm Thickness SUS430. Plating:Sn 120u" min.All Over 30u" ~60u" Nickel
- LED-

STANDARD LED	WAVELENGTH	FORWARD VOLTAGE
GREEN	565nm	2.5V MAX
YELLOW	585nm	2.5V MAX

With a forward current of 20mA



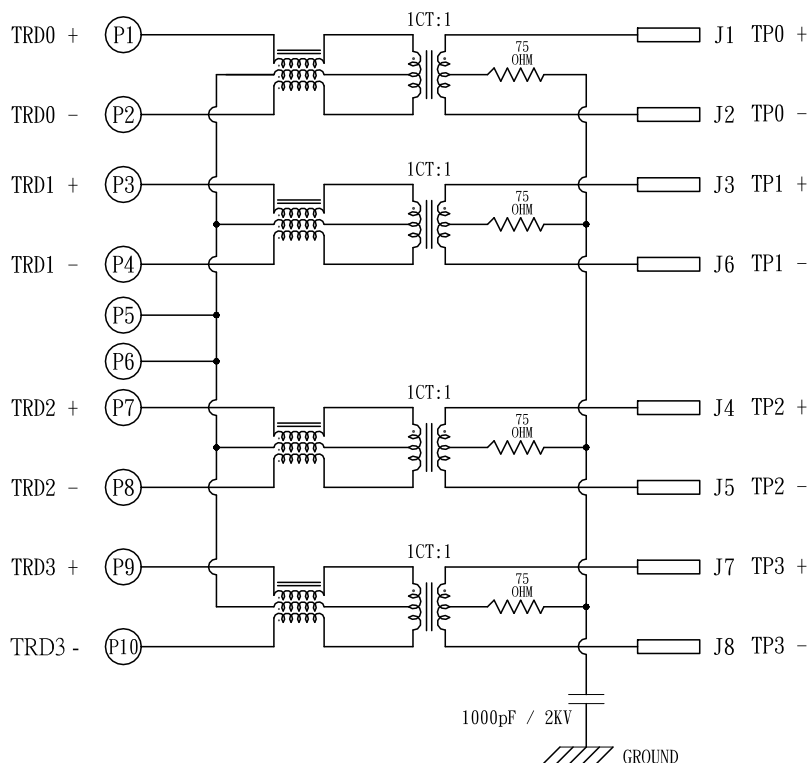
RECOMMENDED PCB LAYOUT
TOLERANCE ±0.05mm(T=1.6mm)

TOLERANCE		PART NO. 5934-46-10500		朝貴電子股份有限公司 CKM ELECTRONICS CO., LTD.	
X.	X.XXX ±0.10	DRAWING NO. C-5934-46-10500			
X.X ±0.30	Angular ±5°	APPROVED BY Angus 2019/11/01	CHECKED BY Flyer 2019/11/01	DRAWN BY Flyer 2019/11/01	PAGE 1 OF 2
X.XX ±0.20		DWG TYPE. Customer Drawing		SCALE 2 : 1	REV. 1

1		PROPOSAL DRAWING	Flyer	2019/11/01
REV.	ECN NO	REVISION RECORD	DRAW	DATE

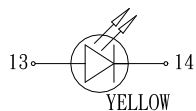
PART NO. N/A	DRAWING NO. N/A	REV. N/A
-----------------	--------------------	-------------

SCHEMATIC: TYPE 46F-G05



LEFT LED
11+ 12- GREEN

RIGHT LED
13+ 14- YELLOW



Feature:

- . Operating temperature: 0°C to +70°C
- . Storage temperature: -40°C to +85°C

Electrical Specifications: (25°C)

- Turns Ratio: @100KHz, 0.1V
 P1-P2: J1-J2 = 1:1±5%
 P3-P4: J3-J6 = 1:1±5%
 P7-P8: J4-J5 = 1:1±5%
 P9-P10: J7-J8 = 1:1±5%
- OCL: @100KHz, 0.1V, 8mA DC BIAS: 350uH Min
- Insertion Loss:
 @1~100MHz : -1.0dB Max
 @100~125MHz : -1.2dB Max
- Return Loss:
 @1~30MHz : -18dB Min
 @30~60MHz : -16dB Min
 @60~80MHz : -12dB Min
 @80~100MHz : -10dB Min
- Crosstalk: @1~100MHz : -30dB Min
- Common Mode Rejection: @1~100MHz : -30dB Min
- Hi-Pot: INPUT TO OUTPUT 1500VAC, 1mA, 60S
- RoHS Compliance: YES

TOLERANCE		PART NO. 5934-46-10500		朝貴電子股份有限公司 CKM ELECTRONICS CO., LTD.	
X. X.X ±0.30 X.XX ±0.20	X.XXX ±0.10 Angular ±5°	DRAWING NO. C-5934-46-10500		TITLE. RJ45 1X1 POST W/ SHIELD W/ LED TRANSFORMER (1000BASE-T) JACK	
UNIT: mm		APPROVED BY Angus 2019/11/01	CHECKED BY Flyer 2019/11/01	DRAWN BY Flyer 2019/11/01	PAGE 2 OF 2 SCALE 2 : 1
DWG TYPE. Customer Drawing				REV. 1	

1		PROPOSAL DRAWING	Flyer	2019/11/01
REV.	ECN NO	REVISION RECORD	DRAW	DATE