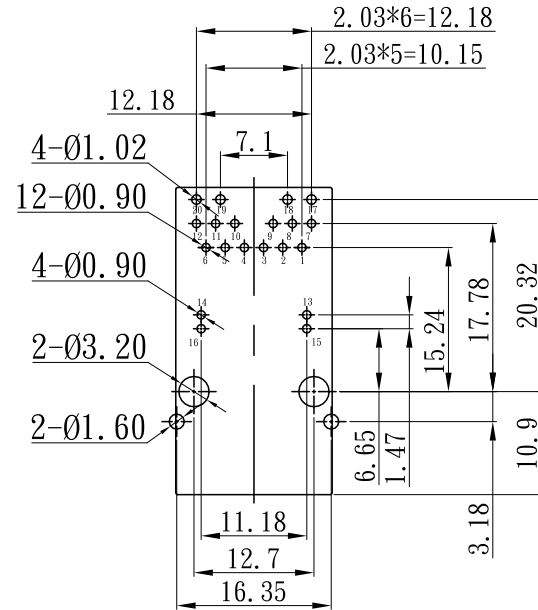
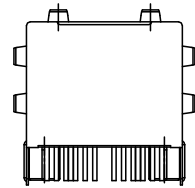
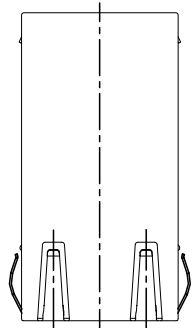


RoHS

Proposal Drawing

CUST INFORMATION.

PART NO.	DRAWING NO.	REV.
43FE05J4RA1		



RECOMMENDED PCB LAYOUT  
 TOLERANCE ±0.05mm(T=1.6mm)

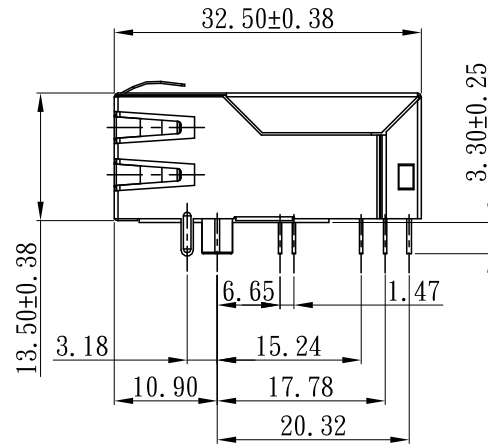
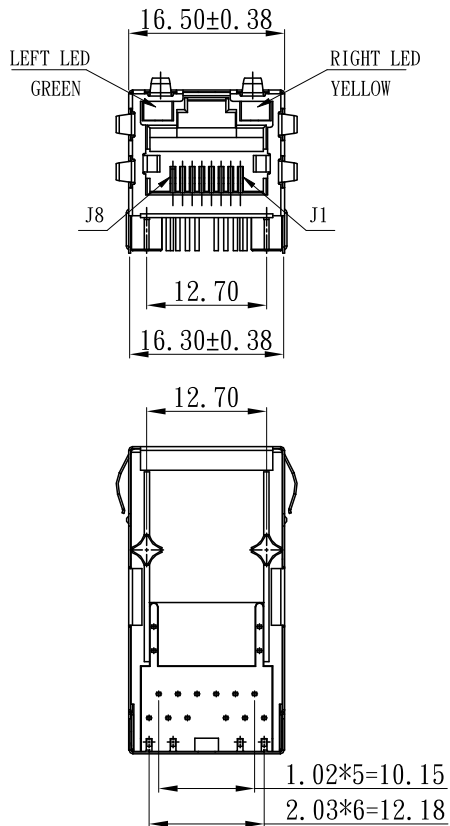
NOTES:

- Shielded - 0.20mm Thickness Brass C2680 H.Plating Nickel 20u"MIN.
- Housing- Plastic:PBT,Glass Fiber Filled Polyester UL94V-0 Standard Color Black.
- RJ Terminal- Plastic:PBT, Glass Fiber Filled Polyester UL94V-0 Standard Color Black. Pin:0.35mm Thickness Phosphor Bronze C5210 EH. Plating:Nickel 30u"-60u" For All And Sn 100%, And Gold Plating 6u".
- Input Terminal- Plastic:PBT, Glass Fiber Filled Polyester UL94V-0 Standard Color Black. Pin:0.35mm Thickness C2680 H. Plating:Sn All Over 30u"-60u" Nickel
- LED-

STANDARD LED	WAVELENGTH	FORWARD VOLTAGE
GREEN	565nm	2.5V MAX
YELLOW	585nm	2.5V MAX

With a forward current of 20mA

6. REMOVED INPUT PIN: P1、P2、P3 & P7、P8、P9



TOLERANCE		PART NO.		朝貴電子股份有限公司 CKM ELECTRONICS CO., LTD.		
X.	X.XXX ±0.10	5933-43-00901				
X.X	±0.38	DRAWING NO.		TITLE. RJ45 1X1 POST W/ SHIELD W/ LED TRANSFORMER (10/100 BASE-T POE) JACK		
X.XX	±0.20	Angular ±2°		C-5933-43-00901		
UNIT: mm		APPROVED BY	CHECKED BY	DRAWN BY	PAGE	REV.
DWG TYPE.		Angus	Flyer	Flyer	1 OF 2	1
Customer Drawing		2021/11/27	2021/11/27	2021/11/27	SCALE	
					1 : 1	

1	PROPOSAL DRAWING	Flyer	2021/11/27
REV.	ECN NO	REVISION RECORD	DATE

RoHS

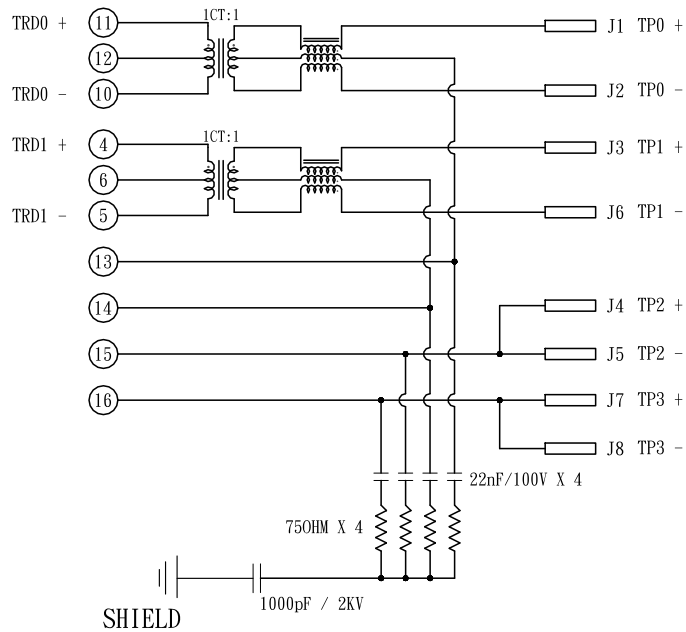
Proposal Drawing

CUST INFORMATION.

PART NO. DRAWING NO. REV.

43FE05J4RA1

SCHEMATIC: 43F-E05



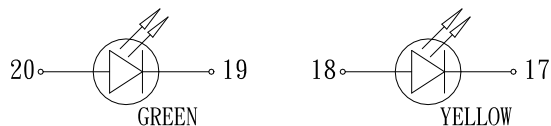
Feature:


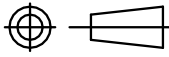
- . Operating temperature: 0°C to +70°C
- . Storage temperature: -40°C to +85°C

Electrical Specifications: (25°C)

- Turns Ratio: @100KHz, 0.1V  
 P11-P10: J1-J2 = 1:1±2%  
 P4-P5: J3-J6 = 1:1±2%
- OCL: @100KHz, 0.1V, 8mA DC BIAS: 350uH Min
- Insertion Loss:  
 @1~100MHz : -1.0dB Max
- Return Loss:  
 @1~30MHz : -18dB Min  
 @30~60MHz : -16dB Min  
 @60~80MHz : -12dB Min  
 @80~100MHz : -10dB Min
- Crosstalk: @1~100MHz : -30dB Min
- Common Mode Rejection: @1~100MHz : -30dB Min
- Hi-Pot: INPUT TO OUTPUT 1500VAC, 1mA, 60S, or 2250VDC, 1mA, 60S
- Addition Of Power Over Ethernet, According To IEEE 802.3at  
 PSE(Power Sourcing Equipment): Transmit Power 30W Max.  
 PDs(Power Devices): Withstand Power 25.5W(700mA) Max. At 57VDC
- RoHS Compliance: YES

LEFT LED                      RIGHT LED  
 20+ 19- GREEN              18+ 17- YELLOW



TOLERANCE		PART NO.		 朝貴電子股份有限公司 CKM ELECTRONICS CO., LTD.		
X.	X.XXX ±0.10	5933-43-00901				
X.X ±0.38		DRAWING NO.		TITLE: RJ45 1X1 POST W/ SHIELD W/ LED		
X.XX ±0.20	Angular ±2°	C-5933-43-00901		TRANSFORMER (10/100 BASE-T POE) JACK		
 UNIT: mm		APPROVED BY	CHECKED BY	DRAWN BY	PAGE	REV.
DWG TYPE.		Angus	Flyer	Flyer	2 OF 2	1
Customer Drawing		2021/11/27	2021/11/27	2021/11/27	SCALE	
					1 : 1	

1		PROPOSAL DRAWING	Flyer	2021/11/27
REV.	ECN NO	REVISION RECORD	DRAW	DATE