

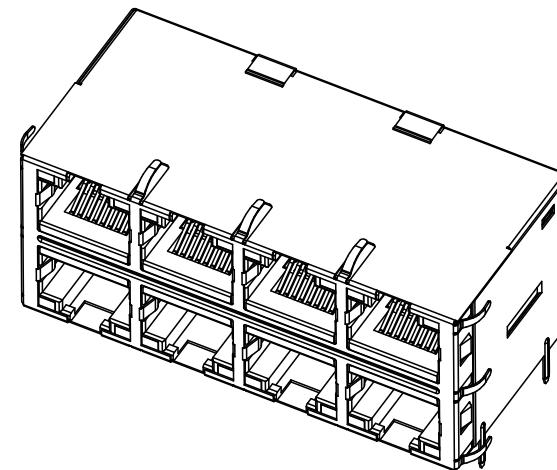
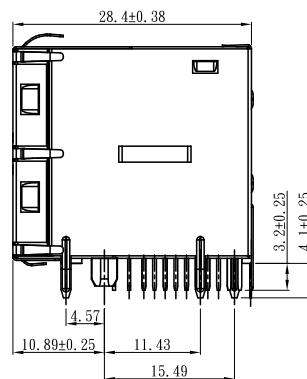
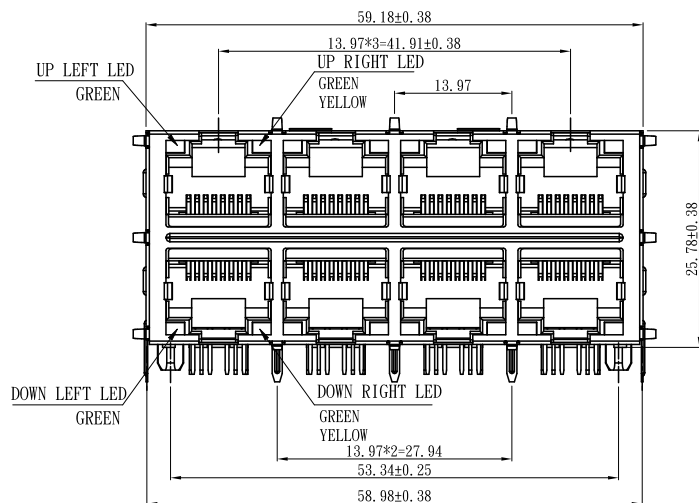
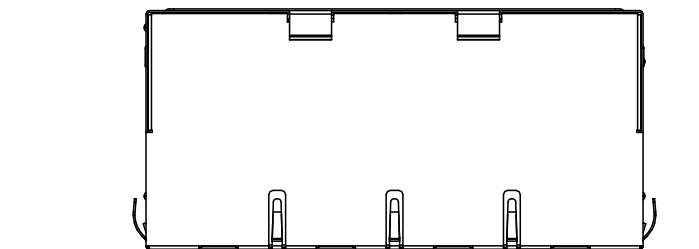
RoHS

Proposal Drawing

CUST INFORMATION.

PART NO. NA	DRAWING NO. NA	REV. NA
----------------	-------------------	------------

224G69J7HK3

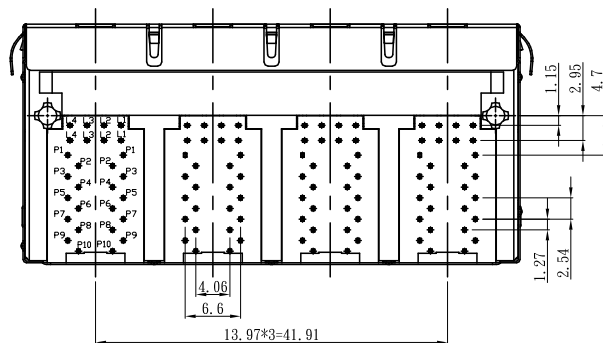



NOTES:

1. Front Shielded - Stainless T=0.20mm, unplating
2. Black Shielded - Stainless T=0.20mm, Plating Nickel 20u"MIN.
3. Housing- High Temperature Thermoplastic, UL94V-0, Color Black.
4. Contact Pin- Thermoplastic UL94V-0, Color Black. Pin: Phosphor Bronze, T=0.30mm Plating: Nickel 30u"Min For All And Sn, And Gold Plating 30u".
5. Insert Pin- Thermoplastic UL94V-0, Color Black. Pin: Brass T=0.35mm. Plating: Sn over 30u"Min Nickel.
6. LED-

STANDARD LED	WAVELENGTH	FORWARD VOLTAGE
GREEN	565nm	2.6V MAX
YELLOW	585nm	2.6V MAX

With a forward current of 20mA



TOLERANCE		PART NO. 5934-24-02001		 朝貴電子股份有限公司 CKM ELECTRONICS CO., LTD.				
X. X.X ±0.30	X.XXX ±0.10	DRAWING NO. C-5934-24-02001				TITLE. RJ45 2*4 W/ SHIELD W/ LED TRANSFORMER(1000M BASE-T)JACK		
X.XX ±0.20	Angular ±2°	UNIT: mm		APPROVED BY Angus 2019/12/05	CHECKED BY Flyer 2019/12/05	DRAWN BY Flyer 2019/12/05	PAGE 1 OF 3	REV. 1
DWG TYPE. Customer Drawing						SCALE 1 : 1		

1		PROPOSAL DRAWING	Flyer	2019/12/05
REV.	ECN NO	REVISION RECORD	DRAW	DATE

RoHS

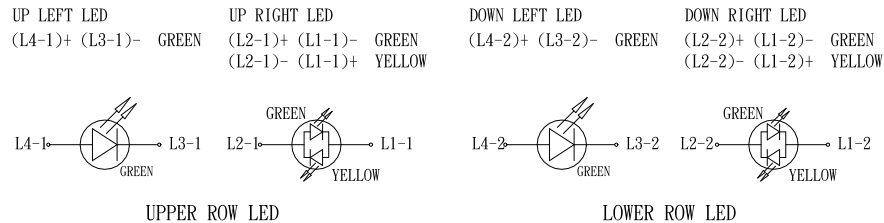
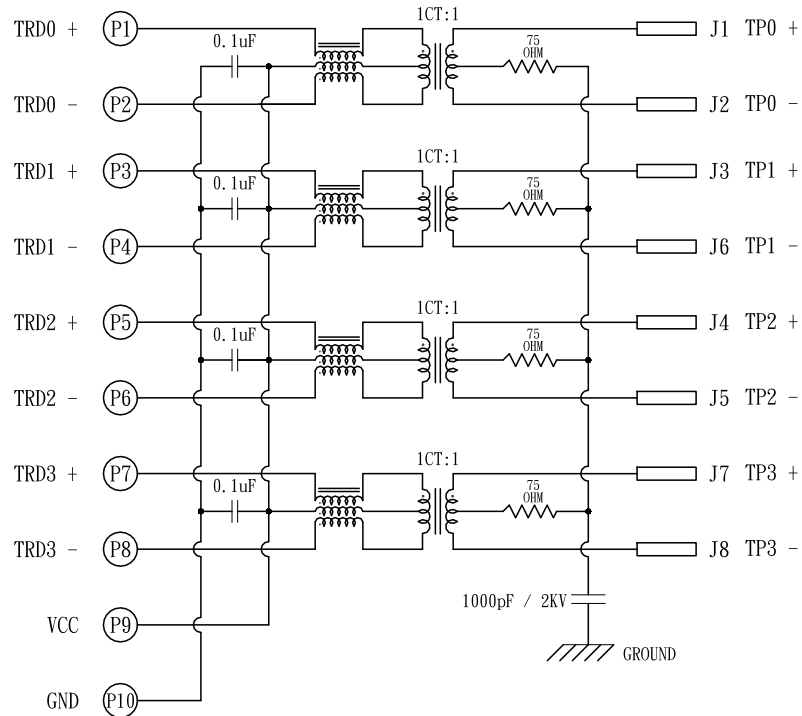
Proposal Drawing

CUST INFORMATION.

PART NO. NA	DRAWING NO. NA	REV. NA
----------------	-------------------	------------

224G69J7HK3

SCHEMATIC: 22F-G69



Feature:

- . Operating temperature: -40°C to +85°C
- . Storage temperature: -40°C to +85°C

Electrical Specifications: (25°C)

- Turns Ratio: @100KHz, 0.1V
 P1-P2: J1-J2 = 1:1±5%
 P3-P4: J3-J6 = 1:1±5%
 P5-P6: J4-J5 = 1:1±5%
 P7-P8: J7-J8 = 1:1±5%
- OCL: @100KHz, 0.1V, 8mA DC BAIS: 350uH Min
- Insertion Loss:
 @1~100MHz : -1.0dB Max
 @100~125MHz : -1.2dB Max
- Return Loss:
 @1~30MHz : -18dB Min
 @30~60MHz : -16dB Min
 @60~80MHz : -12dB Min
 @80~100MHz : -10dB Min
- Crosstalk: @1~100MHz : -30dB Min
- Common Mode Rejection: @1~100MHz : -30dB Min
- Hi-Pot: INPUT TO OUTPUT 1500VAC, 1mA, 60S
- RoHS Compliance: YES

TOLERANCE		PART NO.		朝貴電子股份有限公司 CKM ELECTRONICS CO., LTD.	
X. X.X ±0.30	X.XXX ±0.10	5934-24-02001			
X.XX ±0.20	Angular ±2°	DRAWING NO.		TITLE. RJ45 2*4 W/ SHIELD W/ LED TRANSFORMER(1000M BASE-T)JACK	
UNIT: mm		C-5934-24-02001		APPROVED BY	CHECKED BY
DWG TYPE.		Customer Drawing		Angus	Flyer
				2019/12/05	2019/12/05
				2019/12/05	2019/12/05
				PAGE	REV.
				3 OF 3	1
				SCALE	
				1 : 1	

1		PROPOSAL DRAWING	Flyer	2019/12/05
REV.	ECN NO	REVISION RECORD	DRAW	DATE