

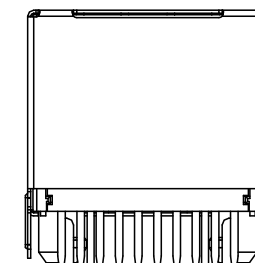
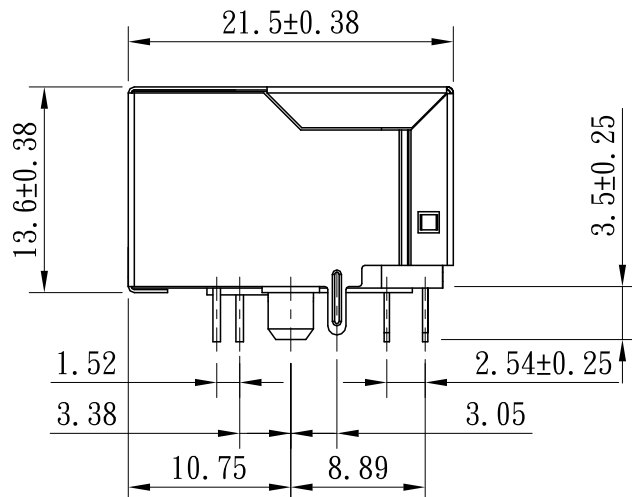
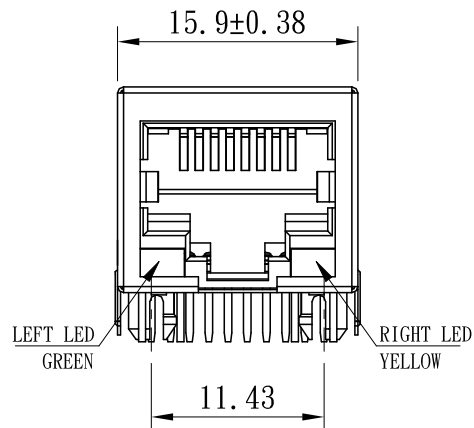
RoHS

Proposal Drawing

CUST INFORMATION.

PART NO. N/A	DRAWING NO. N/A	REV. N/A
-----------------	--------------------	-------------

131G0214RR1

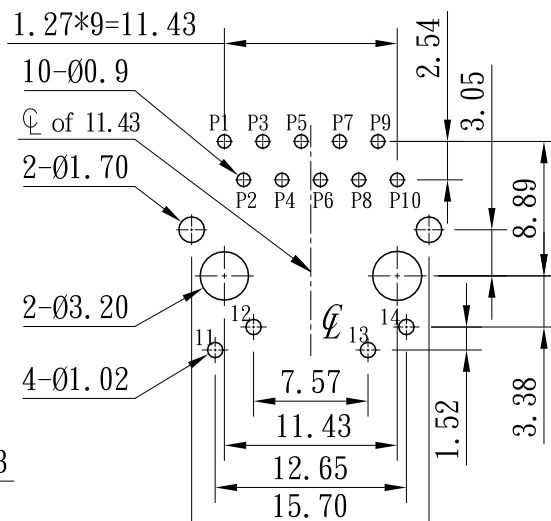
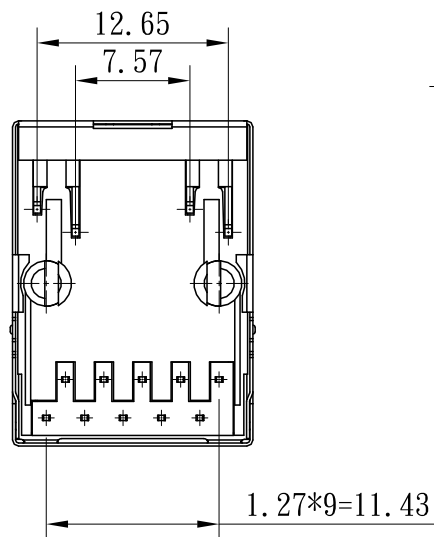


NOTES:

- Shielded - 0.20mm Thickness Brass C2680 H. Plating Nickel 20u"MIN.
- Housing- Plastic:Nylon 66,Glass Fiber Filled UL94V-0 , Color Black.
- Contact Pin- Plastic:Nylon 66,Glass Fiber Filled UL94V-0 , Color Black. Pin:0.35mm Thickness Phosphor Bronze C5210 EH. Plating:Nickel30u"~60u" For All And Sn 100%, And Gold Plating 6u".
- Insert Pin- Plastic:Nylon 66,Glass Fiber Filled Polyester UL94V-0 Standed Color Black. Pin:0.35mm Thickness SUS430. Plating:Sn All Over 30u"~60u" Nickel
- LED-

STANDARD LED	WAVELENGTH	FORWARD VOLTAGE
GREEN	565nm	2.5V MAX
YELLOW	585nm	2.5V MAX

With forward current of 20mA



RECOMMENDED PCB LAYOUT
TOLERANCE ±0.05mm(T=1.6mm)

TOLERANCE		PART NO. 5934-13-06001		朝貴電子股份有限公司 CKM ELECTRONICS CO., LTD.	
X. XXX ±0.10	X.X ±0.38	DRAWING NO. C-5934-13-06001		TITLE. RJ45 1X1 POST W/ SHIELD W/ LED TRANSFORMER (1000 BASE-T) JACK	
X.XX ±0.20	Angular ±2°	APPROVED BY Angus 2019/06/12	CHECKED BY Flyer 2019/06/12	DRAWN BY Flyer 2019/06/12	PAGE 10F2
UNIT: mm		SCALE 2 : 1		REV. 1	
DWG TYPE. Customer Drawing					

1		PROPOSAL DRAWING	Flyer	2019/06/12
REV.	ECN NO	REVISION RECORD	DRAW	DATE

RoHS

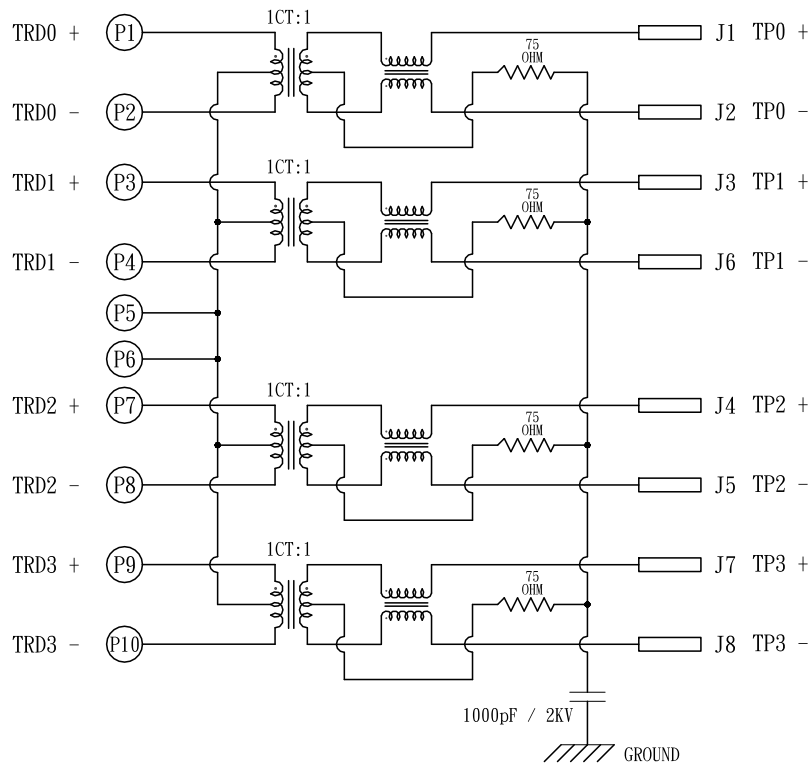
Proposal Drawing

CUST INFORMATION.

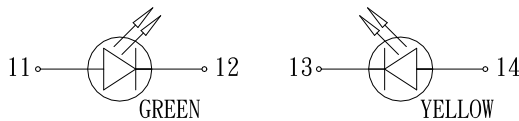
PART NO. N/A	DRAWING NO. N/A	REV. N/A
-----------------	--------------------	-------------

131G0214RR1

SCHEMATIC: TYPE 13F-G02



LEFT LED RIGHT LED
11+ 12- GREEN 13- 14+ YELLOW



Feature:

- . Operating temperature: 0°C to +70°C
- . Storage temperature: -40°C to +85°C

Electrical Specifications: (25°C)

- Turns Ratio:@100KHz, 0.1V
 P1-P2 :J1-J2 = 1:1±5%
 P3-P4 :J3-J6 = 1:1±5%
 P7-P8 :J4-J5 = 1:1±5%
 P9-P10:J7-J8 = 1:1±5%
- OCL: @100KHz, 0.1V, 8mA DC BAIS:350uH Min
- Insertion Loss:
 @1~100MHz : -1.0dB Max
 @100~125MHz :-1.2dB Max
- Return Loss:
 @1~30MHz : -18dB Min
 @30~60MHz : -16dB Min
 @60~80MHz : -12dB Min
 @80~100MHz : -10dB Min
- Crosstalk: @1~100MHz : -30dB Min
- Common Mode Rejection: @1~100MHz : -30dB Min
- Hi-Pot: INPUT TO OUTPUT 1500VAC, 1mA, 60S
- RoHS Compliance: YES

TOLERANCE		PART NO. 5934-13-06001		朝貴電子股份有限公司 CKM ELECTRONICS CO., LTD.	
X. X.XXX ±0.10		DRAWING NO. C-5934-13-06001		TITLE. RJ45 1X1 POST W/ SHIELD W/ LED TRANSFORMER (1000 BASE-T) JACK	
X.X ±0.38	Angular ±2°	APPROVED BY Angus	CHECKED BY Flyer	DRAWN BY Flyer	PAGE 20F2
X.XX ±0.20		2019/06/12	2019/06/12	2019/06/12	REV. 1
UNIT: mm		SCALE 2 : 1			
DWG TYPE. Customer Drawing					

1	PROPOSAL DRAWING	Flyer	2019/06/12
REV.	ECN NO	REVISION RECORD	DRAW DATE