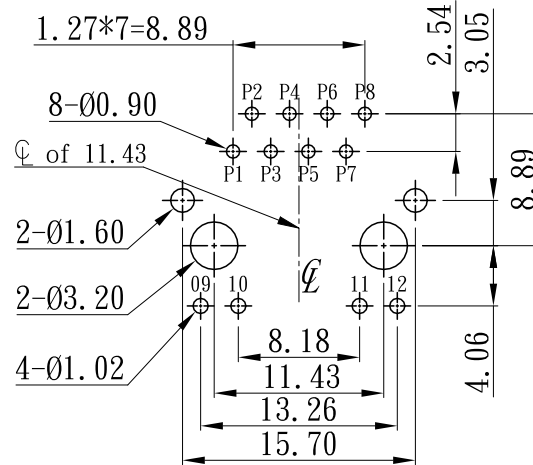
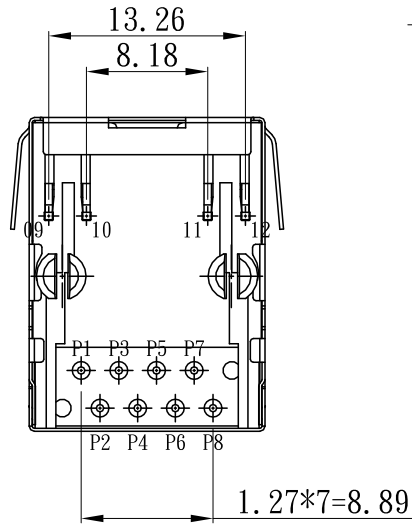
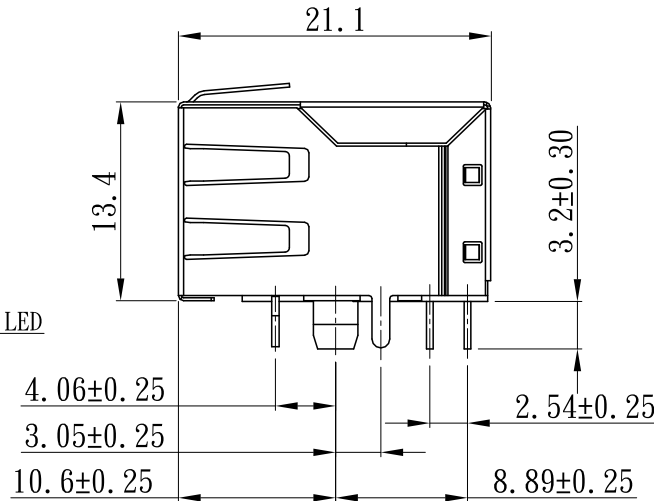
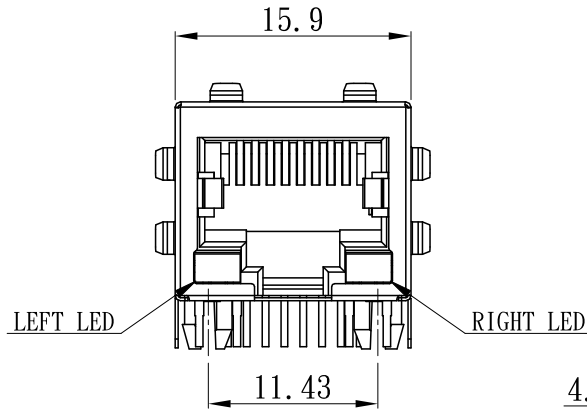


RoHS

CUST INFORMATION.

PART NO. NA	DRAWING NO. NA	REV. NA
----------------	-------------------	------------



RECOMMENDED PCB LAYOUT(TOP VIEW)
TOLERANCE ±0.05mm(T=1.60mm)
TOP VIEW (COMPONENT SIDE)

1. MATERIAL:

HOUSING: THERMOPLASTIC (UL94 V-0).
INSERT: THERMOPLASTIC (UL94 V-0).
CONTACT: Ø0.45MM PHOSPHOR BRONZE GOLD PLATING OVER NICKEL.
SHIELD: COPPER ALLOY, T=0.20mm NICKEL PLATING OVERALL.
LED LEGS: COLD ROLLED STEEL SHEET, T=0.5mm.
LED HEADS: DIFFUSED EPOXY RESIN.

2. LED SPEC

TYPE	WAVELENGTH	FORWARD VOLTAGE	LUMINOUS INTENSITY	FORWARD CURRENT
YELLOW	585-590nm	1.8-2.4V	8-30mcd	30mA
GREEN	568-573nm	1.8-2.4V	8-30mcd	30mA
ORANGE	600-610nm	1.8-2.4V	8-30mcd	30mA

A		NEW RELEASE	Flyer	2023/06/26
REV.	ECN NO	REVISION RECORD	DRAW	DATE

<p>TOLERANCE</p> <p>X. X.XXX ±0.10</p> <p>X.X ±0.30</p> <p>X.XX ±0.20</p> <p>Angular ±2°</p> <p>UNIT: mm</p> <p>DWG TYPE. Customer Drawing</p>		<p>PART NO. 5921SC-080X-1X0X-XX</p> <p>DRAWING NO. C-5921SC-080X-1X0X-XX</p> <p>APPROVED BY Ivan 2023/06/26</p> <p>CHECKED BY Flyer 2023/06/26</p>	<p>朝貴電子股份有限公司 CKM ELECTRONICS CO., LTD.</p> <p>TITLE. RJ45 5921 SERIES 10P8C 1*1 W/ LED W/ SHIELD TYPE</p> <p>DRAWN BY Flyer 2023/06/26</p>	<p>PAGE 1 OF 1</p> <p>SCALE 2 : 1</p> <p>REV. A</p>
--	--	--	---	---