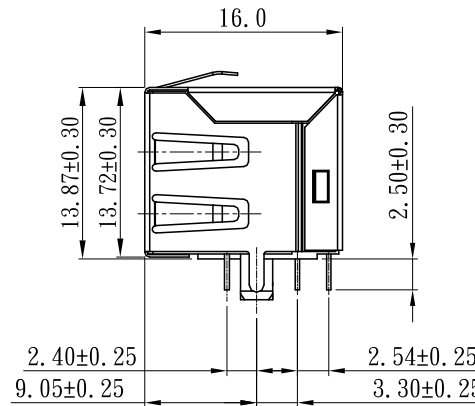
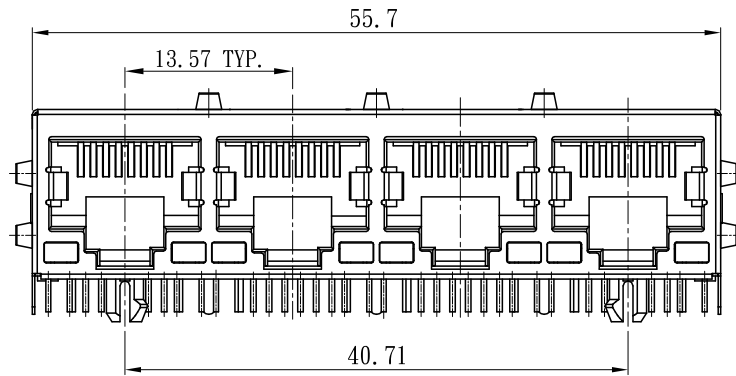


RoHS

CUST INFORMATION.

PART NO. NA	DRAWING NO. NA	REV. NA
----------------	-------------------	------------

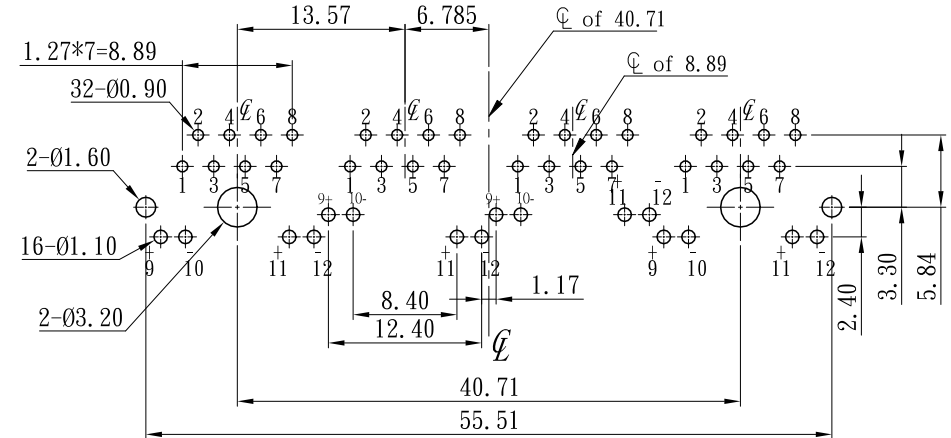
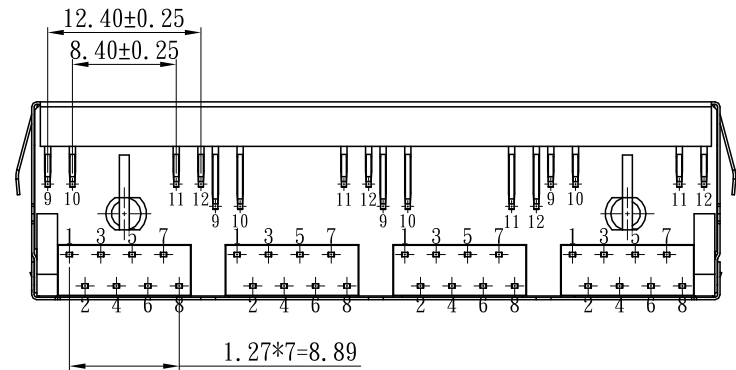


1. MATERIAL:

HOUSING: THERMOPLASTIC, UL94 V-0
 INSERT: THERMOPLASTIC, UL94 V-0
 CONTACT: COPPER ALLOY, T=0.35mm NICKEL UNDER PLATED
 OVERALL: GOLD PLATED ON CONTACT AREA, TIN PLATED SOLDER TAIL
 SHIELD: COPPER ALLOY, T=0.20mm NICKEL PLATING OVERALL.
 LED LEGS: COLD ROLLED STEEL SHEET, T=0.5mm.
 LED HEADS: DIFFUSED EPOXY RESIN.

2. LED SPEC

TYPE	WAVELENGTH	FORWARD VOLTAGE	LUMINOUS INTENSITY	FORWARD CURRENT
YELLOW	585~590nm	1.8~2.4V	8~30mcd	30mA
GREEN	568~573nm	1.8~2.4V	8~30mcd	30mA
ORANGE	600~610nm	1.8~2.4V	8~30mcd	30mA



RECOMMENDED PCB LAYOUT
 TOLERANCE ±0.05mm(TOP VIEW)
 PCB THICKNESS T=1.6mm

TOLERANCE		PART NO.		朝貴電子股份有限公司 CKM ELECTRONICS CO., LTD.		
X. X.XXX ±0.10	X.X ±0.30	5625SJ-881X-4X0X-XX				
X.XX ±0.20	Angular ±2°	DRAWING NO.		TITLE: RJ45 5625 1*4 SERIES		
UNIT: mm		C-5625SJ-881X-4X0X-XX		10P8C 1*4 W/ LED W/ SHELL TYPE		
DWG TYPE: Customer Drawing		APPROVED BY	CHECKED BY	DRAWN BY	PAGE	REV.
		Ivan	Flyer	Flyer	1 OF 1	A
		2023/06/26	2023/06/26	2023/06/26	SCALE	
				2 : 1		

A		NEW RELEASE	Flyer	2023/06/26
REV.	ECN NO	REVISION RECORD	DRAW	DATE