

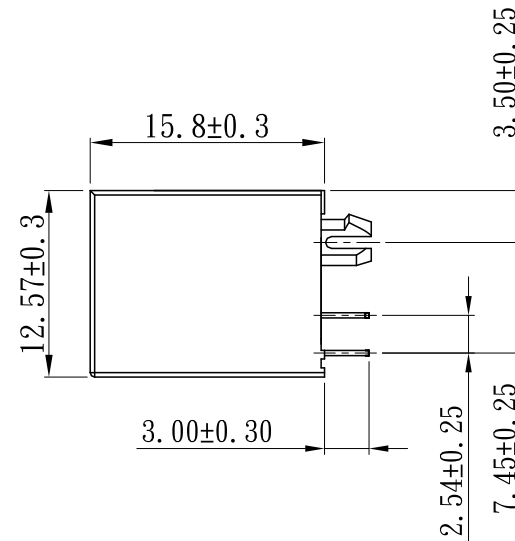
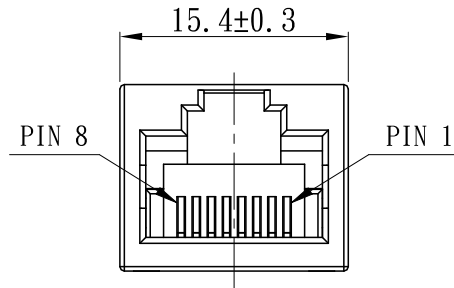
RoHS

CUST INFORMATION.

PART NO. NA	DRAWING NO. NA	REV. NA
----------------	-------------------	------------

1. MATERIAL:

HOUSING: THERMOPLASTIC (UL94 V-0).
 INSERT: THERMOPLASTIC (UL94 V-0).
 CONTACT: COPPER ALLOY, T=0.35mm NICKEL UNDER PLATED
 OVERALL. GOLD PLATED ON CONTACT AREA, TIN PLATED SOLDER TAIL



A

A

B

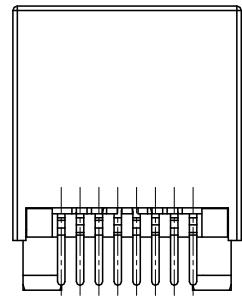
B

C

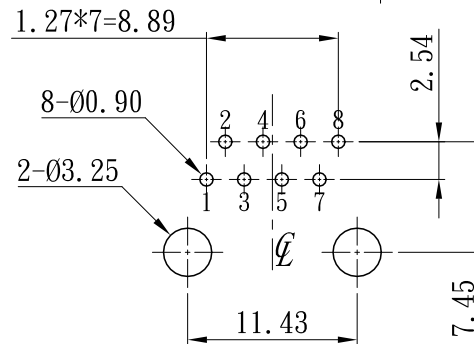
C

D

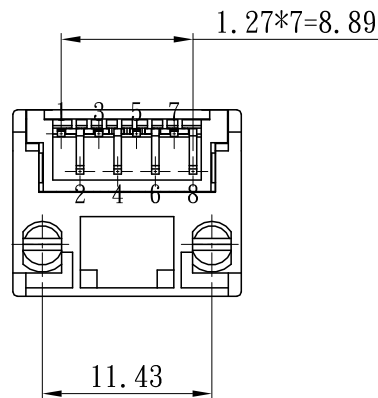
D



1.27*7=8.89



RECOMMENDED PCB LAYOUT
 TOLERANCE ±0.05mm(T=1.6mm)
 TOP VIEW (COMPONENT SIDE)



1.27*7=8.89

11.43

TOLERANCE		PART NO.		朝貴電子股份有限公司	
X.	X.XXX ±0.10	562410-881X-1000-XX		CKM ELECTRONICS CO., LTD.	
X.X ±0.30		DRAWING NO.		TITLE: RJ45 5624 SERIES	
X.XX ±0.20	Angular ±2°	C-562410-881X-1000-XX		8P8C 1*1 W/O LED TYPE	
	UNIT:	APPROVED BY	CHECKED BY	DRAWN BY	PAGE
	mm	Ivan	Flyer	Flyer	1 OF 1
DWG TYPE.		2023/06/26	2023/06/26	2023/06/26	REV.
Customer Drawing					A
				SCALE	
				2 : 1	

A		NEW RELEASE	Flyer	2023/06/26
REV.	ECN NO	REVISION RECORD	DRAW	DATE

1

2

3

4

5

6 QMI-P12-05-01