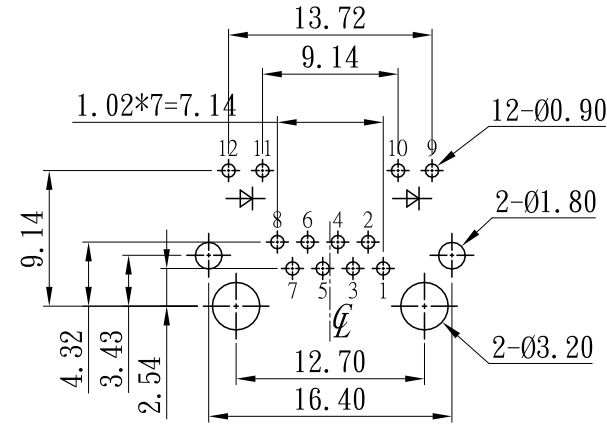
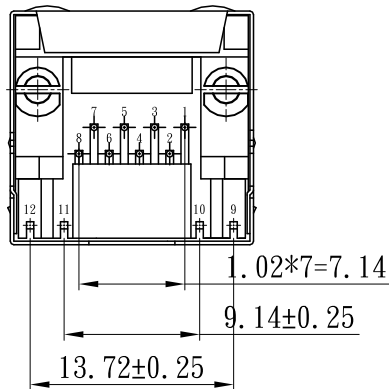
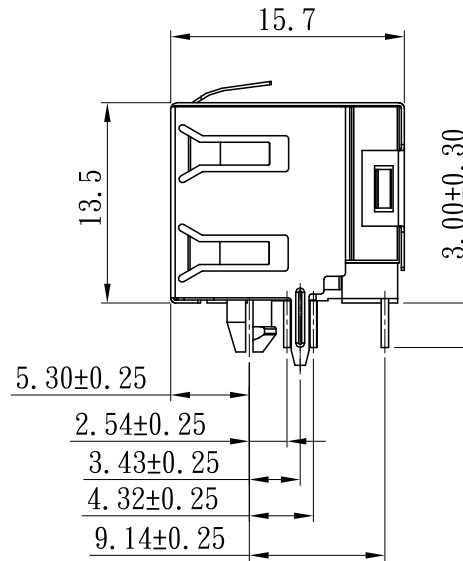
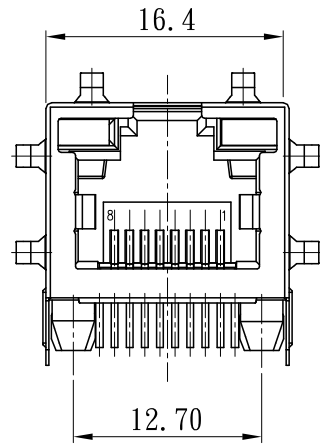


RoHS

CUST INFORMATION.

PART NO. NA	DRAWING NO. NA	REV. NA
----------------	-------------------	------------




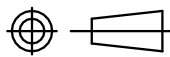
RECOMMENDED PCB LAYOUT
TOLERANCE ±0.05mm(T=1.6mm)
TOP VIEW (COMPONENT SIDE)

1. MATERIAL:

HOUSING: THERMOPLASTIC, UL94 V-0
 INSERT: THERMOPLASTIC, UL94 V-0
 CONTACT: Ø0.45MM PHOSPHOR BRONZE
 GOLD PLATING OVER NICKEL.
 SHIELD: COPPER ALLOY, T=0.20mm NICKEL PLATING OVERALL.
 LED LEADS: COLD ROLLED STEEL SHEET, T=0.5mm.
 LED LENS: DIFFUSED EPOXY RESIN.

2. LED SPEC

TYPE	WAVELENGTH	FORWARD VOLTAGE	LUMINOUS INTENSITY	FORWARD CURRENT
YELLOW	585-590nm	1.8-2.4V	8-30mcd	30mA
GREEN	568-573nm	1.8-2.4V	8-30mcd	30mA
ORANGE	600-610nm	1.8-2.4V	8-30mcd	30mA

TOLERANCE		PART NO.		 朝貴電子股份有限公司 CKM ELECTRONICS CO., LTD.	
X.	X.XXX ±0.10	5623SG-880X-1X0X-XX			
X.X	±0.30	DRAWING NO.		TITLE: RJ45 5623 SERIES	
X.XX	±0.20	C-5623SG-880X-1X0X-XX		8P8C 1*1 W/ LED W/ SHELL TYPE	
 UNIT: mm		APPROVED BY	CHECKED BY	DRAWN BY	PAGE
DWG TYPE.		Ivan	Flyer	Flyer	1 OF 1
Customer Drawing		2023/06/26	2023/06/26	2023/06/26	SCALE
				2 : 1	
				REV. A	

A		NEW RELEASE	Flyer	2023/06/26
REV.	ECN NO	REVISION RECORD	DRAW	DATE