

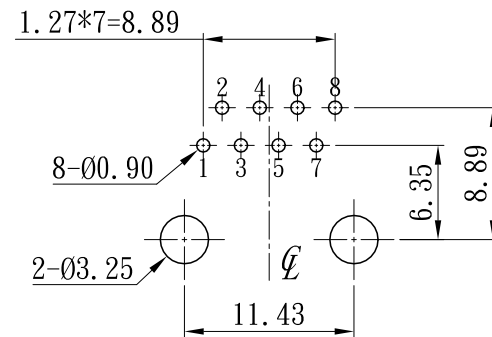
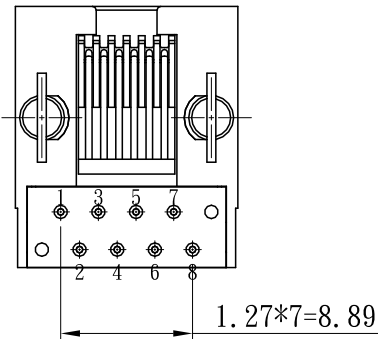
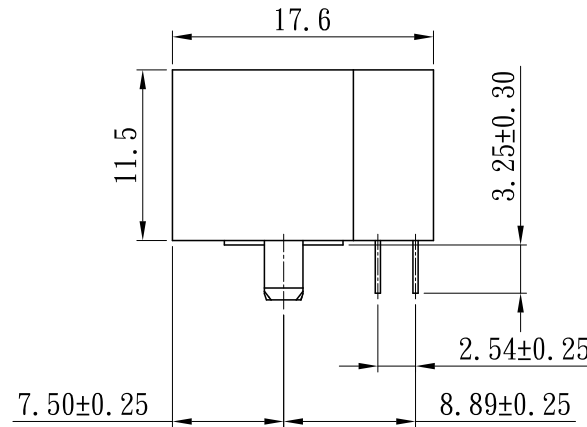
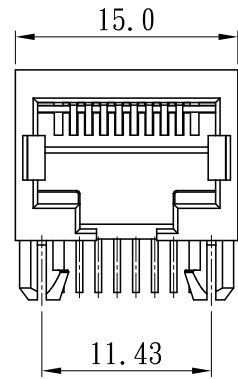
RoHS

CUST INFORMATION.

PART NO. NA	DRAWING NO. NA	REV. NA
----------------	-------------------	------------

1. MATERIAL:

HOUSING: THERMOPLASTIC, UL94 V-0,
 INSERT: THERMOPLASTIC, UL94 V-0,
 CONTACT: Ø0.45MM PHOSPHOR BRONZE
 GOLD PLATING OVER NICKEL.



10P8C
 RECOMMENDED PCB LAYOUT
 TOLERANCE ±0.05mm(T=1.6mm)
 TOP VIEW (COMPONENT SIDE)

TOLERANCE		PART NO. 562200-080X-1000-XX		朝貴電子股份有限公司 CKM ELECTRONICS CO., LTD.	
X.	X.XXX ±0.10	DRAWING NO. C-562200-080X-1000-XX		TITLE. RJ45 5622 SERIES 10P8C 1*1 W/O LED TYPE	
X.X ±0.30		APPROVED BY Ivan 2023/06/26		CHECKED BY Flyer 2023/06/26	DRAWN BY Flyer 2023/06/26
X.XX ±0.20	Angular ±2°	DWG TYPE. Customer Drawing		PAGE 1 OF 1	REV. A
UNIT: mm		SCALE 2 : 1			

NEW RELEASE	Flyer	2023/06/26
REV.	ECN NO	REVISION RECORD
	DRAW	DATE