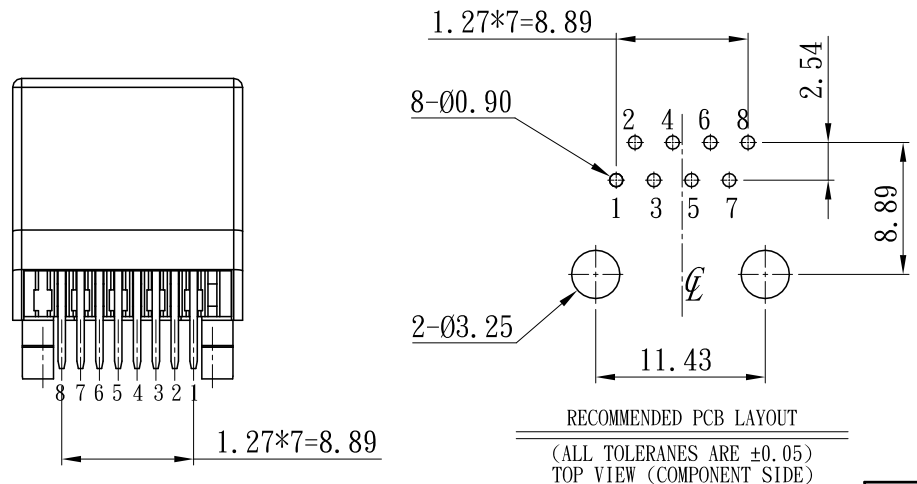
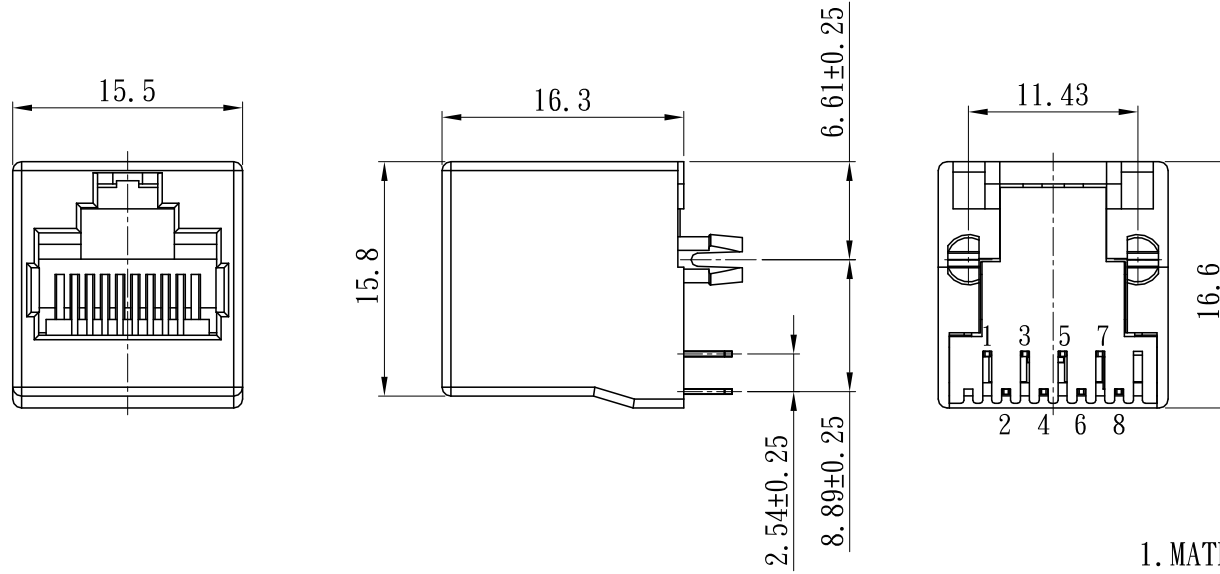


RoHS


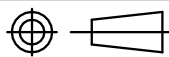
CUST INFORMATION.

PART NO. NA	DRAWING NO. NA	REV. NA
----------------	-------------------	------------



1. MATERIAL:
 HOUSING: THERMOPLASTIC, UL94 V-0
 INSERT: THERMOPLASTIC, UL94 V-0
 CONTACT: COPPER ALLOY, T=0.35mm
 NICKEL UNDER PLATED OVERALL.
 GOLD PLATED ON CONTACT AREA,
 TIN PLATED SOLDER TAIL

A		NEW RELEASE	Flyer	2023/06/26
REV.	ECN NO	REVISION RECORD	DRAW	DATE

TOLERANCE X. X.XXX ±0.10 X.X ±0.30 X.XX ±0.25 Angular ±2°		PART NO. 524400-081X-1000-XX		 朝貴電子股份有限公司 CKM ELECTRONICS CO., LTD.	
 UNIT: mm		DRAWING NO. C-524400-081X-1000-XX		TITLE. RJ45 5244 SERIES 10P8C 1*1 W/O LED W/O SHIELD TYPE	
DWG TYPE. Customer Drawing		APPROVED BY Ivan 2023/06/26	CHECKED BY Flyer 2023/06/26	DRAWN BY Flyer 2023/06/26	PAGE 10F1 SCALE 2 : 1
					REV. A