

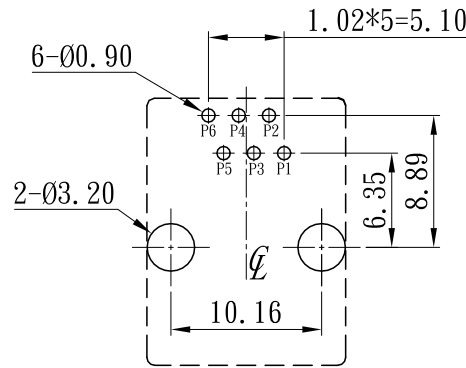
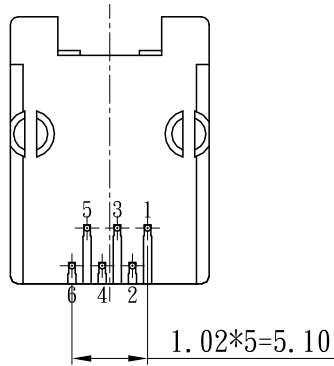
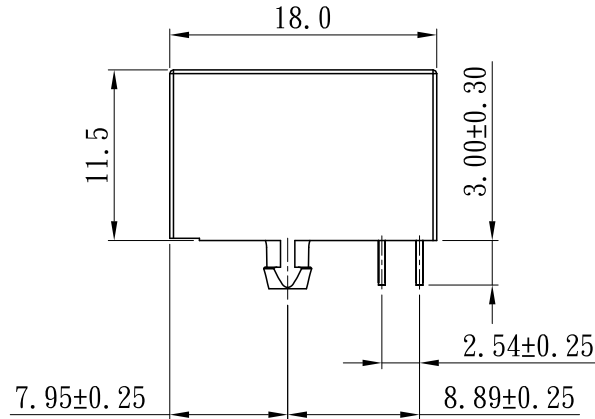
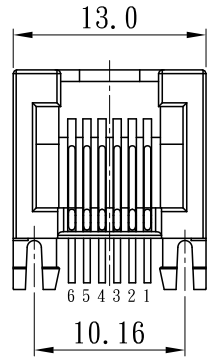
RoHS

CUST INFORMATION.

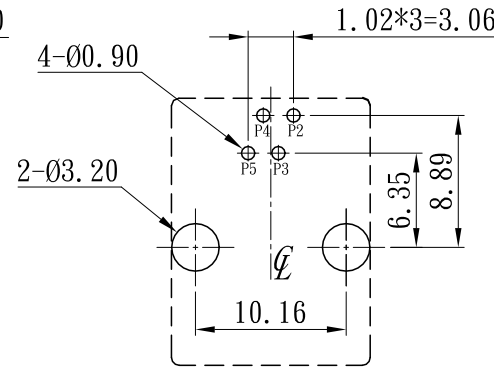
PART NO. NA	DRAWING NO. NA	REV. NA
----------------	-------------------	------------

1. MATERIAL:

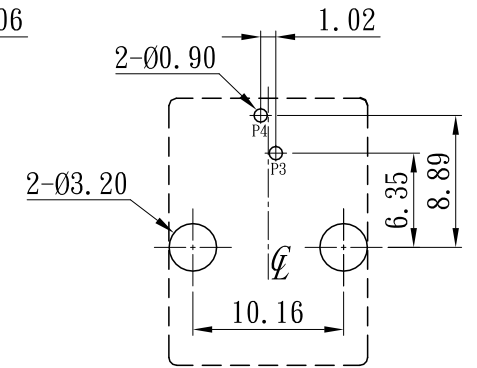
HOUSING: THERMOPLASTIC (UL94 V-0).  
CONTACT: Ø0.45MM PHOSPHOR BRONZE  
GOLD PLATING OVER NICKEL.



6P6C  
RECOMMENDED PCB LAYOUT  
GENERAL TOLERANCE ±0.05, T=1.60mm  
TOP VIEW (COMPONENT SIDE)



6P4C  
RECOMMENDED PCB LAYOUT  
GENERAL TOLERANCE ±0.05, T=1.60mm  
TOP VIEW (COMPONENT SIDE)



6P2C  
RECOMMENDED PCB LAYOUT  
GENERAL TOLERANCE ±0.05, T=1.60mm  
TOP VIEW (COMPONENT SIDE)

A		NEW RELEASE	Flyer	2023/06/26
REV.	ECN NO	REVISION RECORD	DRAW	DATE

TOLERANCE		PART NO.		朝貴電子股份有限公司	
X.	X.XXX ±0.10	532400-6X0X-1000-XX		CKM ELECTRONICS CO., LTD.	
X.X ±0.30		DRAWING NO.		TITLE. RJ11 5324 SERIES	
X.XX ±0.20	Angular ±2°	C-532400-6X0X-1000-XX		6P6C 1*1 W/O LED TYPE	
UNIT: mm		APPROVED BY	CHECKED BY	DRAWN BY	PAGE
DWG TYPE.		Ivan	Flyer	Flyer	1 OF 1
Customer Drawing		2023/06/26	2023/06/26	2023/06/26	SCALE
					2 : 1
					REV. A